

REGENT™

01

Model 1911 Series Pistols

SAFETY & INSTRUCTION MANUAL



⚠ WARNING: READ AND UNDERSTAND THE INSTRUCTIONS AND WARNINGS IN THIS MANUAL CAREFULLY, BEFORE USING THIS FIREARM. FAILURE TO READ THESE INSTRUCTIONS AND TO FOLLOW THESE WARNINGS MAY RESULT IN SERIOUS INJURY OR DEATH TO YOU AND OTHERS.

This SAFETY & INSTRUCTION MANUAL should always accompany this firearm and be transferred with it upon change of ownership or when presented to another person. A copy of the SAFETY & INSTRUCTION MANUAL is available FREE upon request from Umarex USA, Inc.

Manufactured in Turkey by Trabzon Gun Industry Corp.
Imported by Umarex USA, Inc. Fort Smith, AR 72916
1-479-646-4210 • Fax: 479-646-4206
www.RegentArms.com

Table of Contents

02

YOUR SAFETY RESPONSIBILITIES	03
SAFE STORAGE AND TRANSPORTATION	06
PREPARATION FOR FIRING	07
AMMUNITION	09
IDENTIFYING PARTS	11
MODEL AND SERIAL NUMBER IDENTIFICATION	11
INSPECTING YOUR PISTOL	12
OPERATION OF SAFETIES	13
LOADING	14
LOWERING THE HAMMER	16
FIRING	16
CLEARING MISFIRES	17
UNLOADING	18
FIELD STRIPPING DISASSEMBLY	19
CLEANING	20
FIELD STRIPPING ASSEMBLING	21
MAINTENANCE	22
WARRANTY	22
SERVICE	24
PARTS LIST	25
PARTS DIAGRAM	26
CONTACT US	28

YOUR SAFETY RESPONSIBILITIES

03

SAFETY IS YOUR NUMBER ONE RESPONSIBILITY!

At home, in the field, at the range, or anywhere, the first concern of every firearm owner should be safety. Apply the following safety rules in every situation, with any kind of firearm. If you feel uncertain about any operational aspects of your firearm, please contact Umarex USA at 1-479-646-4210 before proceeding with its operation.

⚠ WARNING: YOU MUST FOLLOW ALL OF THESE SAFETY RULES TO ENSURE THE SAFE USE OF YOUR FIREARM. THE FAILURE TO FOLLOW ALL OF THESE BASIC SAFETY RULES MAY RESULT IN AN UNINTENDED DISCHARGE WHICH COULD CAUSE SERIOUS PERSONAL INJURY OR DEATH TO YOU OR OTHERS.

SAFE USE OF A FIREARM IS YOUR PERSONAL RESPONSIBILITY AND YOU ARE THE MOST IMPORTANT SAFETY DEVICE WHEN IT COMES TO THE USE OF YOUR FIREARM. UMAREX USA WILL NOT BE RESPONSIBLE FOR ANY PERSONAL INJURY, DEATH OR PROPERTY DAMAGE THAT RESULTS FROM:

- (1) THE CRIMINAL OR NEGLIGENT USE OF THIS FIREARM;
- (2) A DISREGARD OF THESE SAFETY INSTRUCTIONS AND WARNINGS;
- (3) IMPROPER OR CARELESS HANDLING OF THIS FIREARM;
- (4) THE USE OF NON-STANDARD, DEFECTIVE, IMPROPER OR RELOADED AMMUNITION; OR
- (5) IMPROPER OR NEGLIGENT MODIFICATIONS OR REPAIRS TO THE FIREARM.

ALWAYS KEEP YOUR FIREARM POINTED IN A SAFE DIRECTION.

NEVER point this firearm at any person. Never point at anything you do not intend to shoot whether or not the firearm is loaded.

This is particularly important when loading, unloading, or field stripping the gun. ALWAYS control the direction of the muzzle.

ALWAYS TREAT EVERY FIREARM AS IF IT IS LOADED AND WILL FIRE IF THE TRIGGER IS PULLED.

Do not take anyone's word that the firearm is unloaded – always check for yourself. Never pass your firearm to another person until the action is open and you visually check that it is unloaded. Keep your firearm unloaded and safely stored when not in use.

NEVER PLACE YOUR FINGER ON THE TRIGGER OR INSIDE THE TRIGGER GUARD UNLESS YOU INTEND TO FIRE.

Ensure that other objects do not touch the trigger.

ALWAYS BE SURE OF YOUR TARGET AND WHAT IS BEYOND IT.

Always be sure of where the bullet will strike and shoot only where there is a safe backstop free of obstructions, water or other surfaces which can cause ricochets. Think of what the bullet may hit if it misses the target or ricochets. Do not fire into the sky.

NEVER CROSS OBSTACLES SUCH AS FENCES OR STREAMS WITH A LOADED FIREARM.

SAFE GUN HANDLING IS YOUR PERSONAL RESPONSIBILITY at all times.

Firearms are dangerous and can cause serious injury or death if they are misused or used inappropriately. Safety must be the first consideration of anyone who owns or handles firearms. Accidents are the result of violating the rules of safe gun handling and common sense. Firearm safety training is available. Contact your dealer, law enforcement agency, local sportsman's club, etc. for availability.

YOU ARE RESPONSIBLE FOR YOUR FIREARM AT ALL TIMES.

You must undertake full-time responsibility for your firearm's safety and security. You must protect yourself and all others against injury or death from misuse of the firearm 24 hours a day.

FIREARM SECURITY IS YOUR RESPONSIBILITY.

You must secure firearms safely from children and unauthorized users. A lock has been provided for use with this firearm. Never assume that the use of this lock is sufficient to safely secure your firearm. You must always evaluate your personal situation and employ the security system(s) that meet your needs and prevent children and unauthorized users from gaining access to your firearm.

APPROPRIATE USE FOR YOUR FIREARM MEANS USING YOUR FIREARM FOR LEGAL PURPOSES.

For example – target shooting and lawful resistance of deadly criminal force. It is your responsibility to ensure that you are in compliance with all applicable laws and ordinances regarding the use of your firearm.

NEVER RELY ON MECHANICAL FEATURES ALONE.

Only your safe gun handling habits will ensure the safe use of the firearm. This is your responsibility.

ALWAYS SAFELY STORE AND SECURE YOUR FIREARM.

Safe and secure storage of your firearm is one of your most important responsibilities. It is a full-time responsibility. You must always secure your firearm and ammunition separately so that they are not accessible to children and/or other unauthorized persons.

NEVER KEEP AMMUNITION IN THE SAME LOCATION AS THE FIREARM.

Store each in a separate and secure place.

ALWAYS WEAR EYE AND HEARING PROTECTION SPECIFIED FOR FIREARM USE every time you discharge your firearm.

Make sure others in the vicinity of where you will be shooting wear eye and hearing protection as well.

NEVER USE ALCOHOL OR DRUGS BEFORE OR WHILE SHOOTING.

Do not use your firearm if you are on any medication which impairs, even slightly, your mental and/or physical ability.

ALWAYS HAVE ADEQUATE VENTILATION.

Discharging firearms in poorly ventilated areas, cleaning firearms, or handling ammunition may result in exposure to lead and other substances known to cause birth defects, reproductive harm, and other serious physical injury. Review the warnings and labels for all ammunition and cleaning products carefully. Wash hands thoroughly after exposure.

BEFORE HANDLING ANY FIREARM, UNDERSTAND ITS OPERATION.

Not all firearms are the same. Familiarize yourself with the mechanical features of any firearm you intend to use. If you feel uncertain about any operational aspects of your firearm, please contact Umarex USA at 479-646-4210 before proceeding with its operation.

NEVER ALLOW YOUR FIREARM TO BE USED BY INDIVIDUALS WHO HAVE NOT READ OR DO NOT UNDERSTAND THESE FIREARM SAFETY RULES.

ALWAYS USE THE CORRECT AMMUNITION FOR YOUR PARTICULAR FIREARM as indicated by the marking on the barrel or receiver. Never use non-standard, reloaded, or “handloaded” ammunition which has not been subjected to internal ballistic pressure testing.

BE SURE ALL ACCESSORIES, SUCH AS HOLSTERS AND GRIPS, ARE COMPATIBLE

with the firearm and that the accessories do not interfere with the safe operation.

NEVER DISASSEMBLE YOUR FIREARM beyond the field stripping procedure outlined in this manual. Improper disassembly or reassembly of your firearm may be dangerous and can lead to serious injury or death.

NEVER MANIPULATE, ADJUST OR CHANGE ANY OF THE INTERNAL COMPONENTS OF YOUR FIREARM including the firing pin, sear, or drawbar. Improper manipulation of any internal component may affect the safety and reliability of your firearm, will void your warranty and may cause serious injury or death.

NEVER ALLOW ANY ALTERATION OR REPLACEMENT OF PARTS IN YOUR FIREARM UNLESS PERFORMED BY A QUALIFIED GUNSMITH. If you do otherwise, improper functioning of your firearm may occur, your warranty will be void and serious injury or death may result.

SAFE STORAGE & TRANSPORTATION

CONTINUED

06

⚠ WARNING: FIREARMS ARE DANGEROUS WHEN USED AND STORED IMPROPERLY. THEY POSE A RISK OF SERIOUS OR FATAL INJURIES. FIREARMS CAN BE ESPECIALLY DANGEROUS TO CHILDREN WHEN THEY ARE STORED IN AN IRRESPONSIBLE AND UNSAFE MANNER. FOR YOUR SAFETY AND THE SAFETY OF OTHERS, IT IS IMPERATIVE THAT YOU KEEP YOUR FIREARM LOCKED AND UNLOADED IN A SECURE PLACE. THE AMMUNITION SHOULD BE STORED IN A SEPARATE, SECURE LOCATION WHEN IT IS NOT IN USE. SAFE AND SECURE STORAGE OF YOUR FIREARM IS ONE OF THE MOST IMPORTANT RULES OF FIREARM SAFETY. YOUR FAILURE TO FOLLOW THESE RULES MAY RESULT IN SERIOUS INJURY OR DEATH TO YOU OR OTHERS.

ALWAYS SECURE YOUR FIREARM IN A MANNER THAT WILL PREVENT UNAUTHORIZED ACCESS.

ALWAYS KEEP YOUR FIREARM UNLOADED AND LOCKED WHEN NOT IN USE.

Your safety and the safety of others requires that you always secure and store your firearm in a manner that will prevent unauthorized access. Never leave a firearm unattended unless it is locked, unloaded and secured.

ALWAYS USE THE LOCK PROVIDED BY UMAREX USA TO SECURE YOUR FIREARM.

Please read and follow the instructions packaged separately for the use of this lock. A lock, when properly used, can be an effective tool in preventing unauthorized access to your firearm. There are other alternative locks and safe storage containers available in the marketplace which may also be appropriate for your particular needs. Consult your local gunshop, hardware store, or local police department for guidance on the variety of other safe storage devices or practices which may be appropriate for your particular needs. By purchasing this firearm you have accepted the responsibility of safely securing the firearm at all times and preventing its unauthorized use. Never assume that the use of this lock alone is sufficient to safely secure your firearm. It is your personal responsibility to select and use whatever measures or practices that will enable you to be absolutely certain that your firearm is secure at all times.

⚠ WARNING: NEVER LOCK A LOADED FIREARM AND NEVER LOAD A LOCKED FIREARM!

ALWAYS STORE YOUR FIREARM AND AMMUNITION SEPARATELY so that they are not accessible to children or other unauthorized persons. Safe and secure storage of your firearm and ammunition are your responsibility. **It is a full-time responsibility.**

SAFE STORAGE & TRANSPORTATION

CONTINUED

07

NEVER ASSUME THAT A "HIDING" PLACE IS A SECURE STORAGE METHOD.

Others may be aware of your storage location or come upon it by chance. It is your personal responsibility to use common sense when storing and securing your firearm and ammunition and to always make sure that it is not accessible to children or other unauthorized persons.

NEVER TRANSPORT A LOADED FIREARM.

When transporting your firearm, be sure it is unloaded and locked. Safe secure transportation of your firearm is your responsibility.

ALWAYS FOLLOW THE LAW!

Many jurisdictions have laws that make it a crime to keep a firearm unlocked and in an area accessible to children or others. Keeping a firearm locked and unloaded when not in use is not only common sense safety practice... IT IS THE LAW.

You must be familiar with all local, state, and federal laws regarding the safe storage and transportation of your firearm. Failure to know and follow the law may result in unauthorized access or use of your firearm by another. Obey all laws relating to the storage and transportation of firearms. Your local police department or gunshop will furnish you with available information on storing and/or transporting a firearm safely and legally.

YOUR FIREARM IS YOUR RESPONSIBILITY.

You must prevent your firearm from being stolen or from being used by untrained or unqualified individuals. Keep it locked, unloaded, and secured when not in use.

PREPARATION FOR FIRING

⚠ WARNING: THE FAILURE TO FOLLOW THESE FIREARM SAFETY REQUIREMENTS MAY RESULT IN SERIOUS INJURY OR DEATH TO YOU OR OTHERS.

ALWAYS TREAT ALL FIREARMS AS IF THEY ARE LOADED.

ALWAYS BE SURE THAT ALL ACTIONS AND CYLINDERS OF FIREARMS ARE OPEN, THAT CHAMBERS ARE CLEAR OF CARTRIDGES, MAGAZINES ARE REMOVED, AND THAT FIREARMS ARE POINTING IN A SAFE DIRECTION.

ALWAYS KEEP FINGERS AND OTHER PARTS OF YOUR BODY AWAY FROM THE MUZZLE AND AWAY FROM THE PISTOL SLIDE AND EJECTION PORT.

PREPARATION FOR FIRING CONTINUED

08

ALWAYS WEAR ADEQUATE AND PROPER HEARING PROTECTION SPECIFIED FOR FIREARM USE to prevent permanent damage to your hearing. Make sure others who are nearby are wearing ear protection as well.

ALWAYS WEAR SAFETY GLASSES SPECIFIED FOR FIREARM USE, whether indoors or out. Safety glasses should protect your eyes from the firing flash and particles associated with the discharge of ammunition. Failure to do so creates a risk of personal injury from particle or debris ejection or ricochets.

ALWAYS BE ALERT AND ALWAYS FOLLOW THE SAFETY INSTRUCTIONS OF FIRING RANGE OFFICER. Never shoot if you are tired, cold, or impaired in any way.

ALWAYS BE AWARE OF PEOPLE AROUND YOU so that persons do not accidentally walk into the line of fire.

THE SHOOTER (AND ALL OTHERS IN THE SHOOTING AREA) MUST ALWAYS BE IN A POSITION THAT IS OUT OF THE LINE OF FIRE and are not within an area where they may be struck by ricochets, particles spitting from a revolver, or by ejected cases from other types of firearms.

NEVER SHOOT AT HARD SURFACES, WATER, OR UP INTO THE SKY. Always select a place to shoot that has a safe backstop and is free from obstructions and water surfaces which cause ricochets.

NEVER USE ALCOHOL OR DRUGS BEFORE OR WHILE SHOOTING.

There are different types of ammunition for different types of firearms. Your firearm has been designed for ammunition of a specific type and a specific caliber. It is important to select the proper ammunition for your firearm.

⚠ WARNING: NEVER USE AMMUNITION NOT SPECIFICALLY DESIGNATED FOR USE IN YOUR FIREARM. FAILURE TO USE THE CORRECT TYPE OR CALIBER OF AMMUNITION MAY CAUSE THE FIREARM TO JAM, FAIL TO FIRE, OR EVEN GENERATE EXCESSIVE PRESSURE WHICH CAN DAMAGE OR EVEN RUPTURE YOUR FIREARM, CAUSING PERSONAL INJURY, DEATH, OR PROPERTY DAMAGE.

Locate the caliber designation marked on the firearm. This information indicates the ammunition caliber that must be used in this firearm. (see *illustration 01*).

You are responsible for selecting ammunition that meets industry standards and is appropriate in type and caliber for this firearm.

Never use a cartridge not specifically designated for use in your firearm. Pressure from the wrong type of ammunition may exceed the capability of your firearm and may damage or even rupture your firearm.

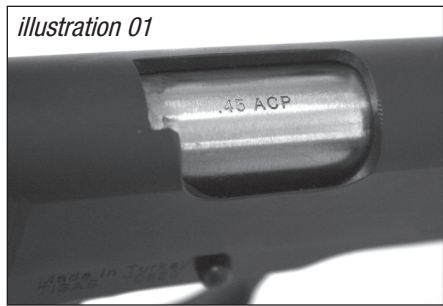
Never mix different brands or types of ammunition.

In some cases, a round of ammunition not specified on your firearm may fit into the chamber. Firing ammunition not specified on your firearm may cause it to rupture and cause serious injury or death to you or others.

Always inspect your ammunition before using it. Never use dirty, corroded, or damaged ammunition which can lead to a burst cartridge which may cause damage to the firearm and personal injury or death.

Use only commercially manufactured ammunition with internal ballistic pressure which are in strict accordance with the specifications of the Sporting Arms and Ammunition Manufacturers' Institute (SAAMI). If you are uncertain, contact your ammunition supplier for verification.

illustration 01



⚠ WARNING: NEVER USE NON-STANDARD, RELOADED, OR “HANDLOADED” AMMUNITION WHICH HAS NOT BEEN SUBJECTED TO INTERNAL BALLISTIC PRESSURE TESTING. RELOADED OR HANDLOADED AMMUNITION MAY HAVE MANY MANUFACTURING AND QUALITY VARIABLES (SUCH AS THE TYPE AND AMOUNT OF GUN POWDER). ANY AMMUNITION THAT IS IMPROPERLY MANUFACTURED, EVEN IN THE SLIGHTEST DEGREE, MAY FAIL TO FIRE OR MAY GENERATE EXCESSIVE INTERNAL PRESSURES WHICH CAN DAMAGE OR EVEN RUPTURE THE FIREARM, CAUSING PERSONAL INJURY OR DEATH TO THE SHOOTER OR THOSE IN THE IMMEDIATE VICINITY.

A firearm and ammunition are a system and must work together. Their performance is closely related. There are different types of ammunition for different types of firearms. Your firearm has been designed for ammunition of a specific type and a specific caliber. It is important to select the proper ammunition for your firearm.

Different combinations of bullet velocity, bullet weight, and firearm weight can have major impact on felt recoil; high felt recoil can be uncomfortable to some shooters.

For example:

- Gun weight: lower gun weight increases felt recoil.
- Bullet weight: higher bullet weight increases felt recoil.
- Bullet velocity: higher bullet velocity increases felt recoil.

To acclimate yourself to higher levels of felt recoil, consider the following:

- Use a firm two-hand hold on the grip when firing.
- Always start your shooting experience with the lowest bullet velocity and lowest bullet weight available for your firearm.
- Ask your firearm dealer to suggest the lowest power, lowest velocity, lightest bullet weight for your firearm.
- You can also consider changing your firearm’s grip configuration/composition to better fit your hand’s specific size and shape.

“Plus-P” (+P) ammunition generates pressures in excess of the pressures associated with standard ammunition. Such pressures may affect the wear characteristics of your firearm.

“Plus-P-Plus” (+P+) ammunition must not be used in Umarex USA firearms. This marking on the ammunition designates that it exceeds established industry standards, but the designation does not represent defined pressure limits and therefore such ammunition may vary significantly as to the pressures generated.

Some brands of ammunition may cause difficulty in extracting spent cartridge cases from the chamber. If this situation occurs, thoroughly clean the chamber with solvent. If this condition persists, we recommend changing to another brand of ammunition.

IDENTIFYING PARTS

MODEL AND SERIAL NUMBER IDENTIFICATION

Model Number



illustration 02

Serial Number



illustration 03

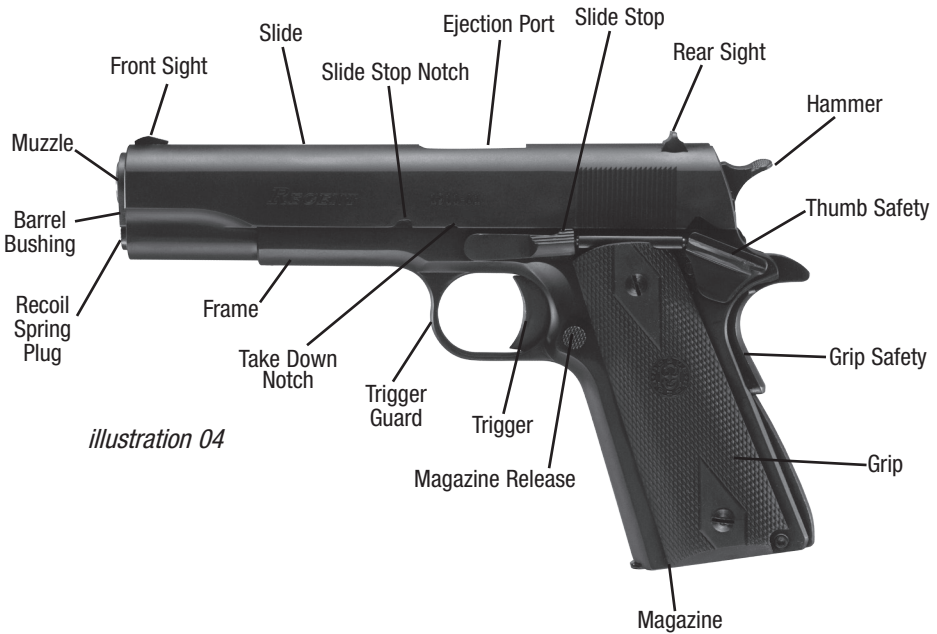


illustration 04

INSPECTING YOUR PISTOL

⚠ WARNING: THE REGENT 1911'S ARE ABLE TO FIRE BOTH WITH AND WITHOUT THE MAGAZINE IN PLACE. REMOVING THE MAGAZINE DOES NOT UNLOAD THE PISTOL OR ENGAGE A SAFETY. THE PISTOL IS NOT UNLOADED UNTIL THE MAGAZINE HAS BEEN REMOVED AND THE CHAMBER HAS BEEN VISUALLY CHECKED TO MAKE SURE IT IS EMPTY.

⚠ WARNING: NEVER LOOK INTO THE END OF THE MUZZLE.

When you inspect your firearm, you should first check for yourself to ensure that it is unloaded. To do this, grasp the firearm with your finger off the trigger and outside the trigger guard, point the muzzle in a safe direction, depress the magazine release and remove the magazine.

Point the muzzle in a safe direction, grasp the serrated sides of the slide from the rear with the thumb and fingers as shown in *illustration 05*, and briskly draw the slide fully rearward in order to extract any cartridge from the barrel chamber and clear it from the firearm.



illustration 05

Do not obstruct the ejection port because doing so can interfere with ejection of a cartridge.

Lock the slide in the open position by allowing the slide to move slightly forward from the rear most position while pressing upward on the slide stop.



illustration 06

Check the barrel chamber to verify it is unloaded and check the bore visually for any obstructions (*illustration 06*).

You must follow this procedure every time a firearm leaves your hand, is cleaned, handed to you or another person, transported, or stored.

OPERATION OF SAFETIES

⚠ WARNING: NEVER RELY ON MECHANICAL FEATURES ALONE. YOUR SAFE GUN HANDLING WILL ENSURE THE SAFE USE OF YOUR FIREARM.

⚠ WARNING: ALWAYS TREAT EVERY FIREARM AS IF IT WERE LOADED AND WOULD FIRE IF THE TRIGGER IS PULLED.

THUMB SAFETY

The thumb safety is located at the rear of the slide behind and above the left grip (see illustration 07a). The Regent™ R200S stainless steel model has an ambidextrous thumb safety. The thumb safety cannot be engaged unless the hammer is fully cocked and the slide is all the way forward. To engage the safety, push it fully upward into the safety notch at the rear of the slide (see illustration 07b). When engaged in this position, the slide and sear are blocked and preventing the hammer from falling when the trigger is pulled.

To disengage the thumb safety, push it fully down. When the safety is in this position the hammer will fall when the trigger is pulled if the gun is correctly gripped.

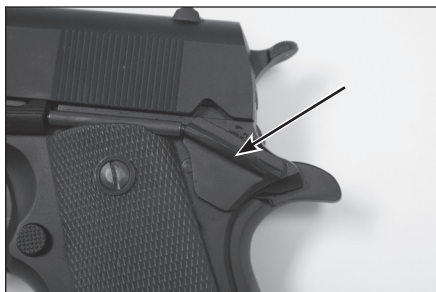


illustration 07a



illustration 07b

GRIP SAFETY

The grip safety is located at the rear of the frame (see illustration 04) and prevents the hammer from falling unless it is disengaged. To disengage the grip safety, simply grip the pistol firmly as you would when preparing to fire.

DISCONNECTOR

This passive device disconnects the sear while the slide is moving, thus preventing a round from being fired before the pistol is in battery.

SAFETY INTERCEPTOR

This passive device provides a secondary notch in the event the primary sear notch fails. It also prevents the hammer from striking the firing pin if the slide is released prematurely or the hammer slips while cocking, provided the hammer has moved past the secondary notch.

⚠ WARNING: IF THE THUMB SAFETY IS NOT PUSHED FULLY INTO THE SAFETY NOTCH, THE GUN MAY FIRE. NEVER RELY ON A MECHANICAL SAFETY DEVICE ALONE. YOUR SAFE GUN HANDLING WILL ENSURE THE SAFE USE OF YOUR FIREARM.

⚠ WARNING: BEFORE LOADING, ALWAYS KEEP THE FIREARM POINTED IN A SAFE DIRECTION, MAKE SURE THAT THE FIREARM IS ON SAFE AND UNLOADED (MAGAZINE REMOVED, CHAMBER CLEARED, AND BARREL CLEAR OF ANY OBSTRUCTIONS).

Do not load the firearm until you have read and fully understand this manual.

Do not load the firearm until you are ready to use it. Keep your finger off the trigger and outside the trigger guard until you are ready to fire.

Never load your pistol until you are sure of your target, what is beyond it, and are fully prepared to fire.

Follow instructions in this manual and any other specific instructions which may be marked onto, or accompany, a magazine. Failure to use the particular type of magazine specified for your model and caliber of pistol may result in a malfunction.

Use only new, factory ammunition of the caliber for which your firearm is chambered. Locate the caliber designation marked on the firearm. This information indicates the ammunition caliber that must be used in this firearm. (*see illustration 01*).

Press downward on the follower at the top of the magazine with the rim of the cartridge case (or downward on the case of the previously loaded cartridge). Push the cartridge to the rear under the lips at the top of the magazine until the rear of the cartridge is against the rear wall of the magazine. (*see illustration 08*). Continue in this manner until you have loaded the desired number of cartridges. Do not attempt to load your magazine with more than the specified number of cartridges because doing so can cause a feeding failure.



illustration 08

Inspect your pistol as previously described in the “Inspecting Your Pistol” section. Hold the pistol in one hand with the muzzle pointed in a safe direction and with your finger off the trigger and outside of the trigger guard.

⚠ WARNING: VERIFY THAT THE FIRING PIN IS NOT PROTRUDING FROM THE BREECH FACE.

Keep the pistol pointed in a safe direction and insert the loaded magazine into the bottom of the grip until it locks into place.

To make sure the magazine is fully and securely inserted, apply some removal pressure to the exposed portion of the magazine floor plate. The magazine should be flush with the frame.

While keeping your fingers away from the trigger and outside of the trigger guard, hold the pistol firmly and draw the slide fully to the rear and let it carry fully forward. If the slide was locked back by the slide release lever when you inserted the magazine, pull the slide slightly to the rear to release it. This strips a cartridge from the magazine and seats it in the chamber of the barrel. **CAUTION! THE PISTOL IS NOW LOADED, COCKED, AND READY TO BE FIRED.** Engage the thumb safety and leave it engaged until ready to fire.

⚠ WARNING: DO NOT USE EXCESSIVE UPWARD FORCE WHEN INSERTING A LOADED MAGAZINE INTO THE PISTOL. EXCESSIVE UPWARD FORCE COULD CAUSE THE SLIDE TO MOVE FORWARD, CHAMBERING A ROUND, AND MAKING THE PISTOL READY TO FIRE.

⚠ WARNING: IF THE CARTRIDGE FAILS TO STRIP FROM THE MAGAZINE OR FULLY SEAT INTO THE CHAMBER, IMMEDIATELY STOP THE LOADING PROCESS. REMOVE THE MAGAZINE, LOCK THE SLIDE OPEN, AND VERIFY THAT THE CHAMBER IS EMPTY. REFER TO THE “INSPECTING YOUR PISTOL” SECTION OF THIS MANUAL.

⚠ WARNING: ALWAYS LOAD A ROUND INTO THE CHAMBER BY FEEDING IT FROM THE MAGAZINE. FAILURE TO FOLLOW THIS WARNING CAN RESULT IN SEVERE INJURY OR DEATH TO YOU OR OTHERS. NEVER ATTEMPT TO LOAD THE PISTOL BY INSERTING A ROUND INTO THE OPEN EJECTION PORT.

If you wish to top off the magazine in your pistol to its full capacity, depress the magazine release and remove the magazine from the pistol. Remember that there is a round in the chamber; therefore, the pistol should be holstered or safely secured during this process without touching the trigger. Load one cartridge in the magazine to replace the one which was chambered when you allowed the slide to carry forward.

Re-insert the loaded magazine into the magazine well of the pistol until it is locked in place. To make sure that the magazine is again fully and securely inserted, apply some removal pressure to the exposed portion of the magazine floor plate.

Your pistol and its magazine are now fully loaded and will fire when the trigger is pulled. Remember to keep your pistol pointed in a safe direction under all conditions and always keep your finger or any other object off the trigger and outside the trigger guard until you have made the commitment to fire the pistol. Never leave a loaded firearm out of your direct control.

CAUTION: Always load ammunition in the magazine, never directly into the chamber. The extractor will eventually break if loaded directly into the chamber.

LOWERING THE HAMMER

16

⚠ WARNING: NEVER ATTEMPT TO LOWER THE HAMMER MANUALLY WITH A ROUND IN THE CHAMBER. IF THE HAMMER SLIPS, THE GUN COULD DISCHARGE CAUSING POSSIBLE PROPERTY DAMAGE, INJURY, OR LOSS OF LIFE.

To lower the hammer on an EMPTY chamber, remove the magazine and draw the slide back while pushing upward on the slide release lever so that the slide locks back. Inspect the chamber visually and manually to ensure that there is no round in the chamber. MAKE SURE that the magazine has been removed from the pistol. Pull the slide slightly to the rear to release it and allow the slide to move forward and close on the EMPTY chamber. Hold the pistol firmly in one hand as if you were going to fire it. Using the thumb of your other hand, draw the hammer slightly to the rear and hold onto it. With the index finger of the hand that is holding the pistol, pull the trigger to the rear and lower the hammer SLOWLY while at the same time releasing the trigger. Continue to lower the hammer SLOWLY until it stops at the “half-cock” position just before reaching the slide.

FIRING

⚠ WARNING: ALWAYS KEEP THE MUZZLE POINTED IN A SAFE DIRECTION.

⚠ WARNING: WEAR EYE AND HEARING PROTECTION SPECIFIED FOR FIREARM USE EVERY TIME YOU DISCHARGE YOUR FIREARM. MAKE SURE OTHERS IN THE VICINITY OF WHERE YOU WILL BE SHOOTING DO SO AS WELL.

⚠ WARNING: “STAGING” THE TRIGGER VIOLATES A BASIC RULE OF FIREARM SAFETY WHICH WARNS YOU TO KEEP YOUR FINGER OUT OF THE TRIGGER GUARD UNTIL YOU HAVE MADE THE COMMITMENT TO FIRE. “STAGING” CREATES A SERIOUS RISK OF PERSONAL INJURY OR DEATH SINCE IT MAY LEAD TO AN UNINTENTIONAL DISCHARGE.

It is known that some handgun users may stage the trigger in anticipation of firing a shot. Staging is the act of pulling the trigger rearward toward –stopping just short of – the point where the handgun fires. Such manipulation of the trigger can reduce the user’s control of the handgun and can result in an unintentional discharge. Furthermore, if the user decides not to fire, release of the trigger from a position close to the firing point in the staging process could result in an unintentional discharge.

Keep the muzzle pointed in a safe direction and your finger outside of the trigger guard until you are ready to fire. Be sure of your target and what is beyond it.

The Regent 1911 Models are auto loading pistols. They are immediately loaded and ready to fire again after each shot until all cartridges loaded in the magazine have been fired.

Aim the firearm at a safe target and disengage the thumb safety.

Grip the pistol firmly so that the grip safety disengages. Align the sights on the target and squeeze the trigger slowly. The pistol will automatically be ready to fire again after each shot until all cartridges loaded in the magazine have been fired. When the last cartridge has been fired the slide will lock open and remain to the rear.

⚠ WARNING: UPON FIRING THE PISTOL OR RELEASING THE SLIDE FROM THE SLIDE STOP, THE SLIDE MOVES REARWARD OR FORWARD WITH SIGNIFICANT FORCE AND SPEED. TO AVOID INJURY, BE SURE NO PART OF YOUR BODY IS IN THE PATH OF THE SLIDE'S TRAVEL.

CLEARING MISFIRES

⚠ WARNING: IF YOUR FIREARM GIVES ANY INDICATION THAT IT IS NOT PERFORMING PROPERLY OR THE OPERATION OF YOUR FIREARM HAS CHANGED "THE WAY IT FEELS OR SOUNDS," STOP FIRING. MAKE SURE THE FIREARM IS POINTED IN A SAFE DIRECTION, UNLOAD THE FIREARM AND HAVE IT INSPECTED AND TEST-FIRED BY A GUNSMITH QUALIFIED TO PERFORM SERVICE ON UMAREX USA FIREARMS.

If a cartridge fails to fire, wait ten seconds while keeping the muzzle pointed in a safe direction.

Keep your finger off the trigger and out of the trigger guard.

Remove the magazine.

Grasp the serrated sides of the slide from the rear and briskly pull the slide fully rearward to eject the misfired round. Do not obstruct the ejection port, and do not attempt to catch the round by placing your hand over the ejection port. Also remember that any time you release the slide while a magazine containing cartridges is in the pistol, you will have reloaded the chamber.

In order to lock the slide in the open position, allow the slide to move slightly forward from the rear most position while pressing upward on the slide stop. You are now able to safely check the barrel chamber and bore visually for any obstructions. You must be certain there are no cartridges in the chamber or obstructions in the barrel.

⚠ WARNING: THE REGENT 1911'S ARE ABLE TO FIRE BOTH WITH AND WITHOUT THE MAGAZINE IN PLACE. REMOVING THE MAGAZINE DOES NOT UNLOAD THE PISTOL OR ENGAGE A SAFETY. THE PISTOL IS NOT UNLOADED UNTIL THE MAGAZINE HAS BEEN REMOVED AND THE CHAMBER HAS BEEN VISUALLY CHECKED TO MAKE SURE IT IS EMPTY.

IF THE SLIDE IS ALREADY IN THE “LOCKED BACK” POSITION:

Point the muzzle in a safe direction. Make sure your finger is off the trigger and out of the trigger guard. Depress the magazine release and remove the magazine. Always hold your hand under the magazine when pressing the magazine release button otherwise the magazine may drop to the ground and become damaged.

From the top and rear, carefully inspect the chamber to make sure it is empty. Pull the slide to the rear and ease the slide forward. Lower the hammer as directed in the “LOWERING THE HAMMER” section of this manual.

IF THE SLIDE IS FORWARD:

Point the muzzle in a safe direction. Make sure your finger is off the trigger and out of the trigger guard. Depress the magazine release and remove the magazine. Always hold your hand under the magazine when pressing the magazine release button otherwise the magazine may drop to the ground and become damaged.

Pull the slide fully to the rear to eject any cartridge remaining in the chamber and press the slide release lever up in order to hold the slide back.

From the top and rear, carefully inspect the chamber to make sure it is empty. Pull the slide to the rear and ease the slide forward. Lower the hammer as directed in the “LOWERING THE HAMMER” section of this manual.

Do not obstruct the ejection port because doing so can interfere with ejection of a cartridge.

Unload the magazine by holding it with the bullet end of the cartridge pointing away from you and pressing each cartridge forward and out of the magazine.

⚠ WARNING: ALWAYS KEEP THE BARREL POINTED IN A SAFE DIRECTION.

⚠ WARNING: BEFORE PERFORMING ANY CLEANING OR FIELD STRIPPING MAKE SURE THE FIREARM AND MAGAZINE ARE COMPLETELY UNLOADED. ALWAYS REMOVE THE MAGAZINE FIRST THEN VISUALLY AND MANUALLY CHECK THE CHAMBER TO MAKE SURE IT IS EMPTY.

⚠ WARNING: WEAR SAFETY GLASSES EVERY TIME YOU ASSEMBLE OR DISASSEMBLE YOUR FIREARM.

ALWAYS FOLLOW THE FIELD STRIPPING INSTRUCTIONS EXACTLY. NEVER DO ANYTHING BEYOND WHAT YOU ARE SPECIFICALLY INSTRUCTED TO DO IN THIS MANUAL. NEVER ALTER, MODIFY, OR REPLACE THE PARTS IN YOUR FIREARM SINCE THIS MAY AFFECT THE RELIABILITY, FUNCTIONING, AND SAFETY OF YOUR FIREARM.

1. Point the muzzle in a safe direction. Make sure your finger is off the trigger and out of the trigger guard. Depress the magazine release and remove the magazine. Always hold your hand under the magazine when pressing the magazine release button otherwise the magazine may drop to the ground and become damaged. Pull the slide fully to the rear to eject any cartridge remaining in the chamber and press the slide release lever up in order to hold the slide back.

From the top and rear, carefully inspect the chamber to make sure it is empty. Pull the slide to the rear and ease the slide forward. Lower the hammer as directed in the “LOWERING THE HAMMER” section of this manual.

2. Position the pistol with the muzzle pointed up with the back of the pistol resting on a table. Press down on the recoil spring plug while rotating the barrel bushing about 1/4 inch clockwise. Once the bushing has been rotated clear of the plug, the spring will be free. You must keep the plug and spring contained so that they can be removed slowly.

CAUTION: THE RECOIL SPRING AND PLUG ARE UNDER TENSION AND WILL FLY OUT OF THE PISTOL UNLESS THEY ARE CONTROLLED.

3. Remove the plug from the spring.
4. Cock the hammer.
5. Pull the slide to the rear until the lug on the slide stop is aligned with the small disassembly notch on the slide (see *illustration 09*). Push on the end of the slide stop shaft that protrudes from the right side of the pistol and pull out the slide stop from the left side (see *illustration 10*).



illustration 09

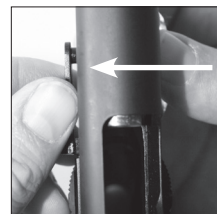


illustration 10

FIELD STRIPPING CONTINUED

6. Push the slide forward off the frame.
7. Pull the recoil spring guide up and over the barrel link and pull the guide and recoil spring rearward out of the slide.
8. Turn the barrel bushing counterclockwise. With the barrel link in its forward position, push the barrel out of the front of the slide.
9. Pull the bushing off the barrel.

DO NOT STRIP YOUR PISTOL ANY FURTHER THAN INSTRUCTED ABOVE. IF ADDITIONAL MAINTENANCE IS REQUIRED TAKE OR SEND YOUR PISTOL TO AN UMAREX USA AUTHORIZED GUNSMITH.

CLEANING

1. Field strip the pistol as described on page 19.
2. Using a cleaning rod, run a patch soaked with solvent through the bore starting at the chamber. Then run a bristle brush soaked with solvent from the chamber end of the barrel back and forth the full length of the bore until all grease, dirt, and debris are removed from the bore and chamber. To protect against binding, do not “reverse” rod direction when a patch or brush is in the bore. Clean the bore with dry patches. When bore is clean, follow with a patch that is very lightly oiled with gun oil.
3. Using a patch wet with solvent or a nylon brush, remove all visible powder residue, dirt, or grease from the breech face and all areas of the slide and frame. Wipe with a clean patch and follow with a lightly oiled patch.
4. Wipe external surfaces with a lightly oiled cloth. Lightly lubricate the recoil spring, recoil spring guide, and frame rails before reassembling the pistol.

BEFORE USING YOUR FIREARM FOR THE FIRST TIME, IT SHOULD BE CLEANED.

Your firearm has been treated with either a preservative or oil to protect it against corrosion. Before using it, all excess oil should be wiped from the bore, chamber, and exposed areas using a clean swab or patch. A light coat of high quality gun oil should be applied to the outside surfaces and mechanism. Care should be taken not to oil the mechanism to the extent where oil will be dripping or running down the firearm. Dirt and residue will be trapped if too much oil is present.

CAUTION: Always follow the instructions provided with your gun cleaner and gun lubricant.

CLEANING CONTINUED

CAUTION: Some cleaners can cause damage to your firearms. You should avoid prolonged solvent immersion and prolonged ultrasonic cleaning of your firearm. Choice of solvent should be restricted to those products specifically developed for firearms maintenance. Damage to a firearm's finish may occur if these cautions are ignored.

After cleaning, there may be some residue in the barrel that works out and becomes apparent within 24-48 hours. This can be removed with a bristle brush and a light reapplication of powder removing solvent after which the oil film should be re-established on all surfaces.

Cleaning is essential to ensure the proper function of your firearm.

Your firearm is a precision instrument. To ensure reliable function it is necessary to follow a routine maintenance procedure.

If your firearm will be used or stored in a cold climate, be sure to use an oil of an appropriate weight so that it will not congeal in the cold temperatures.

ASSEMBLING

1. With the slide upside down and the barrel link forward, push the barrel into the slide.
2. Place the barrel bushing over the muzzle of the barrel and into the slide until it is flush with the face of the slide. Turn the bushing clockwise as far as it will go.
3. Place the recoil guide into the recoil spring so that the open end of the spring is exposed. The spring cap goes over the open end. Assemble the recoil spring and guide into the slide by pushing the end of the spring through the slide from the rear. Position the arched portion of the recoil spring guide over the outside surface of the barrel directly in front of the barrel link.
4. Cock the hammer. Position the slide so that you can see the hole in the barrel link through the slide stop hole. Make sure the firing pin safety link is down before moving slide back. Push the slide stop into the slide stop hole, but don't fully insert it. Align the slide stop lug with the small disassembly notch on the slide. Now, push the slide stop up and in against the slide stop plunger until the slide stop is fully inserted.
5. Push the slide fully forward and point the muzzle upward. Engage the thumb safety (put it on safe). Insert the recoil spring plug into the recoil spring. Push down on the recoil spring plug until it is flush with the face of the bushing. Rotate the bushing so that it locks the plug in place.

⚠ WARNING: THE RECOIL SPRING PLUG MUST BE CORRECTLY SEATED AND LOCKED AS DESCRIBED ABOVE OR DAMAGE TO YOUR PISTOL MAY OCCUR WHEN YOU ATTEMPT TO FIRE.

MAINTENANCE BEFORE STORAGE

CAUTION: Some cleaners can cause damage to your firearms. You should avoid prolonged solvent immersion and prolonged ultrasonic cleaning of your firearm. Choice of solvent should be restricted to those products specifically developed for firearms maintenance. Damage to a firearm's finish may occur if these cautions are ignored.

After cleaning, there may be some residue in the barrel that works out and becomes apparent within 24-48 hours. This can be removed with a bristle brush and a light reapplication of powder removing solvent after which the oil film should be re-established on all surfaces.

Cleaning is essential to ensure the proper function of your firearm.

Your firearm is a precision instrument. To ensure reliable function it is necessary to follow a routine maintenance procedure.

If your firearm will be used or stored in a cold climate, be sure to use an oil of an appropriate weight so that it will not congeal in the cold temperatures.

WARRANTY

LIMITED ONE YEAR WARRANTY

This product is warranted to the original owner for 1 year from date of purchase against defects in material and workmanship and is not transferable.

WHAT IS COVERED

Replacement parts and labor.

WHAT IS NOT COVERED

Parts, labor, and shipping charges to Umarex USA for defective product and damages caused by abuse or failure to perform normal maintenance as well as any other expense. Consequential damages, or incidental expenses, including damage to property. Umarex USA will not be responsible for unauthorized adjustments or modifications, use of defective or improper ammunition, corrosion, criminal misuse, negligence, resale, and/or use under the influence of drugs or alcohol. Some states do not allow the exclusion or limitation of incidental or consequential damages, so the above limitation or exclusion may not apply to you. Umarex USA reserves the right to determine what constitutes ordinary wear and tear.

WARRANTY CLAIMS

Warranty Claims and Repair for U.S. customers. Call Umarex USA (479)-646-4210 and ask for the Service Department. If it is determined a return is necessary, you will be issued a Return Authorization Number. Write this number boldly on the box and return the product prepaid to Umarex USA. Your name, address, phone number, and a note with the model number, serial number, and explanation of the defect found must be included in the package. A copy of the original purchase receipt must accompany the return. (See shipping guidelines on page 24.)

IMPLIED WARRANTIES

Any implied warranties, including the implied warranties of merchantability and fitness for a particular purpose, are limited in duration to 1 year from date of retail purchase. SOME STATES DO NOT ALLOW LIMITATIONS ON HOW LONG AN IMPLIED WARRANTY LASTS, SO THE ABOVE LIMITATIONS MAY NOT APPLY TO YOU. TO THE EXTENT ANY PROVISION OF THIS WARRANTY IS PROHIBITED BY FEDERAL, STATE, OR MUNICIPAL LAW WHICH CANNOT BE PREEMPTED, IT SHALL NOT BE APPLICABLE. THIS WARRANTY GIVES YOU SPECIFIC LEGAL RIGHTS, AND YOU MAY ALSO HAVE OTHER RIGHTS WHICH VARY FROM STATE TO STATE AND COUNTRY TO COUNTRY.

UNDER NO CIRCUMSTANCES SHALL UMAREX USA BE RESPONSIBLE FOR INCIDENTAL OR CONSEQUENTIAL DAMAGES WITH RESPECT TO ECONOMIC LOSS, INJURY, DEATH, OR PROPERTY DAMAGE, WHETHER AS A RESULT OF BREACH OF THIS WARRANTY, NEGLIGENCE, OR OTHERWISE.

NOTE: All liability is excluded in the event that the instructions and warnings in this manual are not observed.

SHIPPING GUIDELINES

- Ensure that the firearm is unloaded.
- Do not attempt to ship a firearm via US Postal Service; only federally licensed firearm dealers may ship a firearm by US Postal Service.
- DO NOT SHIP ANY AMMUNITION.
- Enclose a letter which includes your full name and address (no P.O. Boxes, please), daytime telephone number, e-mail address, the serial number of the firearm, and details of the problem experienced (stating the brand and type of ammunition used when the problem occurred) or work desired.
- Record the serial number before shipping, in case you wish to check on the repair status of your firearm.
- Please remove all custom parts and accessories, such as stocks, special sights and scopes, or slings from your firearm before returning.
- Place the firearm in its original case or in a similarly secure container and pack it securely.
- The package must NOT bear any markings which indicate the identity of the contents.
- It is recommended that shipments be insured by the owner, since Umarex USA will accept no responsibility for loss or damage in transit.
- It is most important that you comply with federal, state, and local laws and regulations. The following guidelines are meant to help, but you must seek assistance from the appropriate authorities if necessary.
- If your firearm must be replaced, it may be necessary to ship the replacement to a dealer rather than directly to you. You will be requested to furnish a signed FFL (Federal Firearms License) from your dealer in such an instance.

CONTACT & SHIPPING ADDRESS

For Owners within the United States

Umarex USA
Service Dept.
7700 Chad Colley Blvd.
Fort Smith, AR 72916

Phone: 479-646-4210
Fax: 479-646-4206
E-mail: service@umarexusa.com

PARTS LIST REGENT R100 1911-A1 .45 ACP

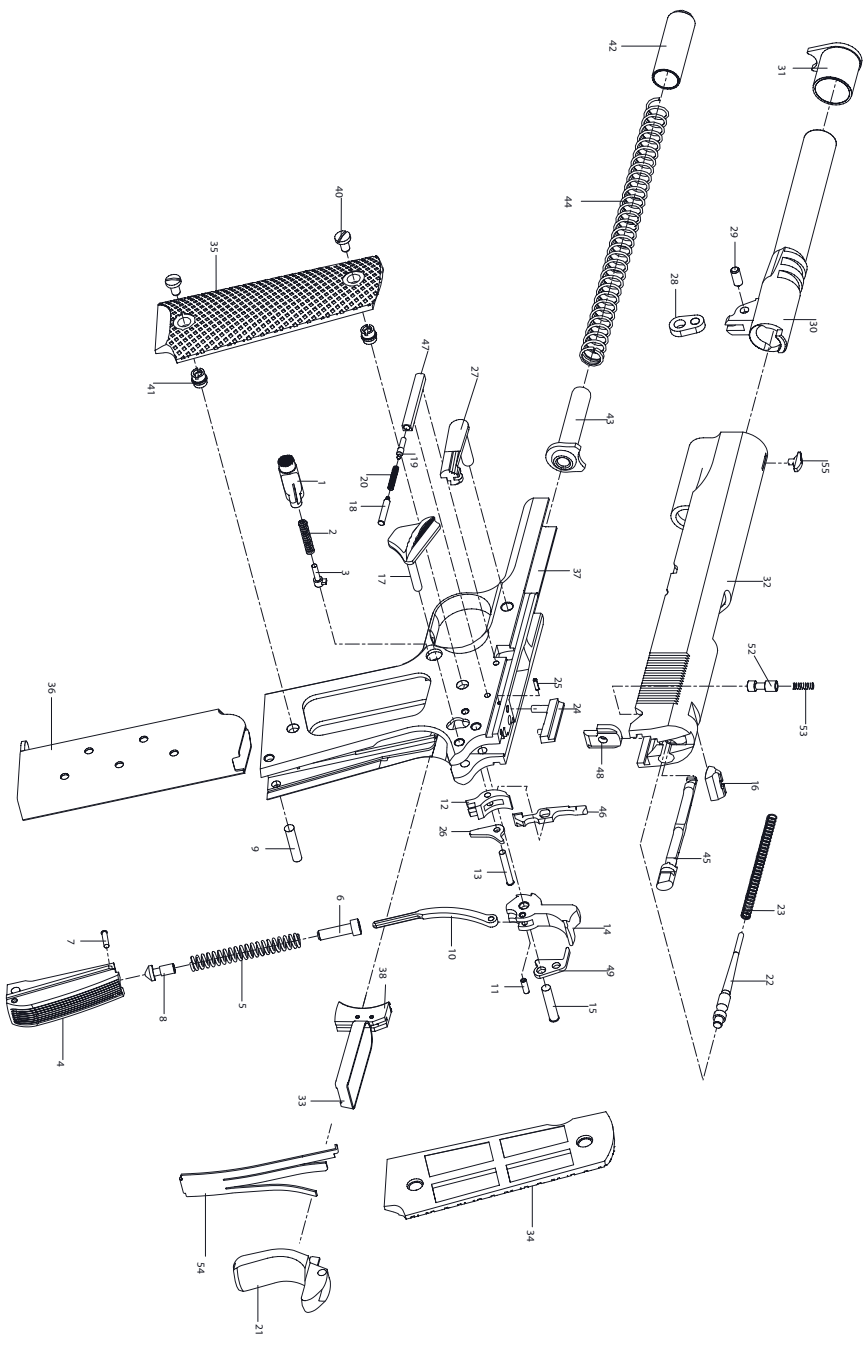
25

- | | | |
|--------------------------------|------------------------|-----------------------------|
| 1. Magazine Catch | 19. Slide Stop Plunger | 41. Stock Screw Bushings |
| 2. Magazine Catch Spring | 20. Plunger Spring | 42. Recoil Spring Plug |
| 3. Magazine Catch Lock | 21. Grip Safety | 43. Recoil Spring Guide |
| 4. Mainspring Housing | 22. Firing Pin | 44. Recoil Spring |
| 5. Main Spring | 23. Firing Pin Spring | 45. Extractor |
| 6. Mainspring Cap | 24. Ejector | 46. Disconnecter |
| 7. Mainspring Cap Pin | 25. Ejector Pin | 47. Plunger Tube |
| 8. Mainspring Housing Retainer | 26. Trigger Bar Lever | 48. Firing Pin Retainer |
| 9. Mainspring Housing Pin | 27. Slide Stop | 49. Plunger Lever |
| 10. Hammer Strut | 28. Barrel Link | 52. Firing Pin Block |
| 11. Hammer Strut Pin | 29. Barrel Link Pin | 53. Firing Pin Block Spring |
| 12. Sear | 30. Barrel | 54. Sear Spring |
| 13. Sear Pin | 31. Barrel Bushing | 55. Front Sight |
| 14. Hammer | 32. Slide | |
| 15. Hammer Pin | 33. Trigger Assembly | |
| 16. Rear Sight | 34. Stock Set | |
| 17. Safety Lock | 35. Stock Set | |
| 18. Safety Lock Plunger | 36. Magazine Assembly | |
| | 37. Receiver | |
| | 38. Trigger Assembly | |
| | 40. Stock Screws | |

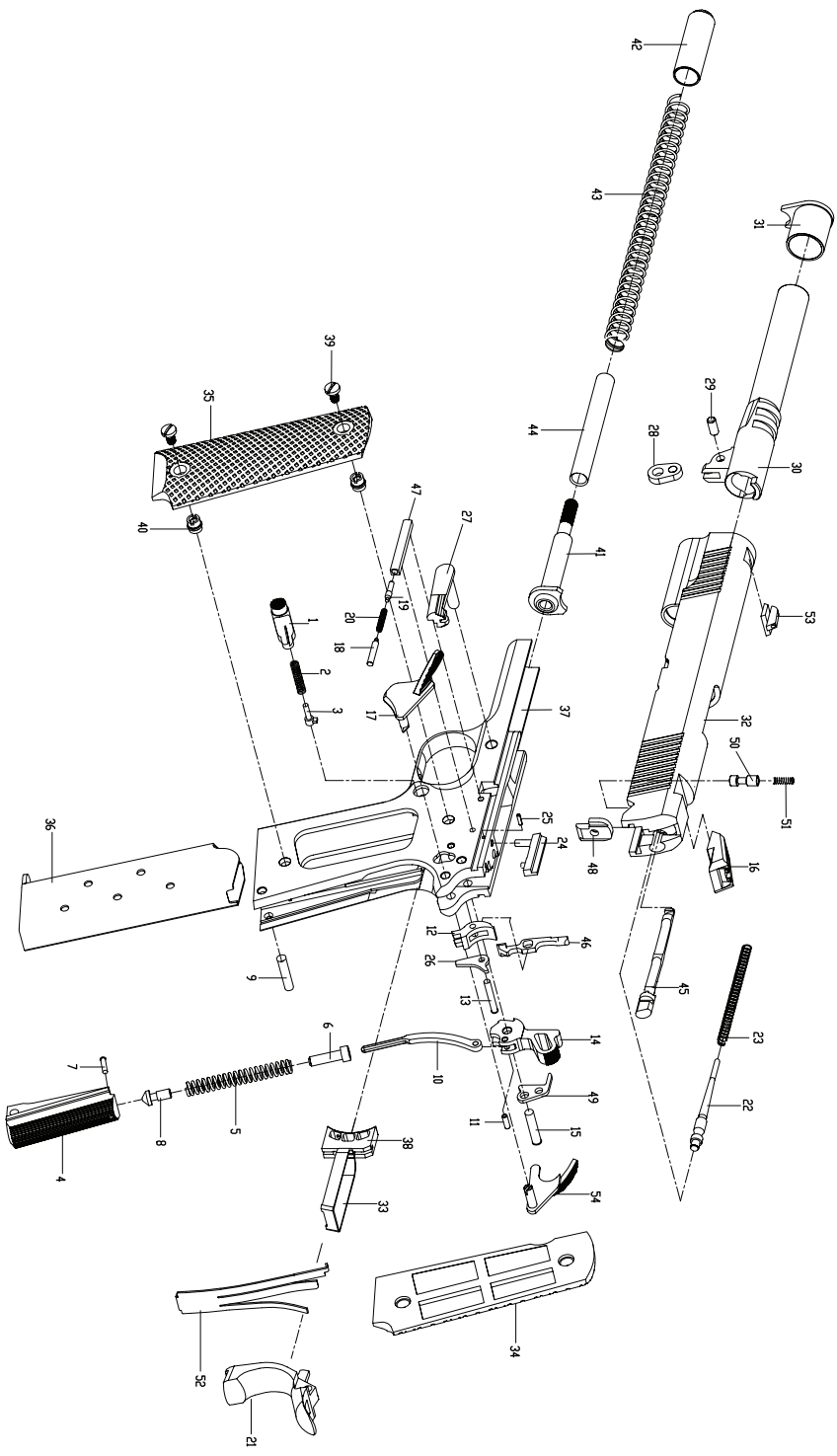
PARTS LIST REGENT R200S 1911-A1 .45 ACP

- | | |
|--------------------------------|-----------------------------|
| 1. Magazine Catch | 28. Barrel Link |
| 2. Magazine Catch Spring | 29. Barrel Link Pin |
| 3. Magazine Catch Lock | 30. Barrel |
| 4. Mainspring Housing | 31. Barrel Bushing |
| 5. Main Spring | 32. Slide |
| 6. Mainspring Cap | 33. Trigger Assembly |
| 7. Mainspring Cap Pin | 34. Stock Set |
| 8. Mainspring Housing Retainer | 35. Stock Set |
| 9. Mainspring Housing Pin | 36. Magazine Assembly |
| 10. Hammer Strut | 37. Receiver |
| 11. Hammer Strut Pin | 38. Trigger Assembly |
| 12. Sear | 39. Stock Screws |
| 13. Sear Pin | 40. Stock Screw Bushings |
| 14. Hammer | 41. Recoil Spring Guide |
| 15. Hammer Pin | 42. Recoil Spring Plug |
| 16. Rear Sight | 43. Recoil Spring |
| 17. Safety Lock | 44. Recoil Spring Guide Rod |
| 18. Safety Lock Plunger | 45. Extractor |
| 19. Slide Stop Plunger | 46. Disconnecter |
| 20. Plunger Spring | 47. Plunger Tube |
| 21. Grip Safety | 48. Firing Pin Retainer |
| 22. Firing Pin | 49. Plunger Lever |
| 23. Firing Pin Spring | 50. Firing Pin Block |
| 24. Ejector | 51. Firing Pin Block Spring |
| 25. Ejector Pin | 52. Sear Spring |
| 26. Trigger Bar Lever | 53. Front Sight |
| 27. Slide Stop | 54. Safety Lock |

PARTS LIST DIAGRAM REGENT R100 MODEL



PARTS LIST DIAGRAM REGENT R200S MODEL



This INSTRUCTION MANUAL should always accompany the firearm and be transferred with it upon change of ownership or when presented to another person.

UMAREXUSA[®]

IMPORTED BY UMAREX USA, INC. FORT SMITH, AR 72916
1-479-646-4210 • FAX: 479-646-4206
WWW.UMAREXUSA.COM

All technical changes and modifications reserved.

05R11