



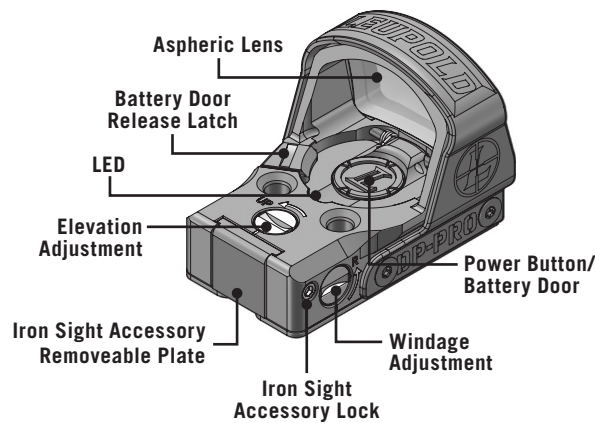
LEUPOLD

Leupold® DeltaPoint® Pro Reflex Sight

Mounting & Operation Instructions

Operating Instructions

For optimum performance and to prevent damage to this precision instrument, carefully follow all instructions.



Features

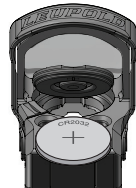
- DiamondCoat™, scratch resistant aspheric lens for brightness, and resolution
- Motion Sensor Technology (MST™)
- Night vision w/user adjustable settings (on select models)
- Extremely durable, ultra light aluminum housing
- Small size and lightweight
- Unlimited eye relief
- For handguns, rifles and shotguns
- Wide field of view
- Blackened lens edges
- Waterproof to 33ft.

Specifications

- Magnification: 1.0x
- Sight window: 25.7mm x 17.5mm; 1.01" x 0.68"
- Elevation adjustment range: 60 MOA
- Windage adjustment range: 60 MOA
- 40 MOA per revolution of adjustment (1 MOA per click)
- Subtension of the aiming point: 2.5 MOA Dot or 6.0 MOA Dot
- Operating Temperature Range: -20°F to +120°F (-29°C to +49°C)
- Storage Temperature Range: -40°F to +160°F (-40°C to +71°C)
- Power Supply: 3V with one CR 2032 Lithium battery
- Dimensions: (LxWxH) 1.82" x 1.31" x 1.30" (46.1mm x 33.2mm x 33.0mm)
- Weight (with battery installed): 1.9oz. (53.8g)

Package Contents

- DeltaPoint Pro Reflex Sight, 2.5 MOA Dot (SKU 119688, 175840, 177156, 179585 or 179586)
- DeltaPoint Pro Reflex Sight 6.0 MOA Dot (SKU 181105 or 181106)
- (1) 3V Lithium battery (CR 2032)
- (1) Protective cover
- (2) M4x.7x15.8mm Torx® head screws for installing the sight on the mounting plate
- (1) Torx® T-15 wrench
- (1) 1/16 Hex wrench
- Operating Instructions



Battery Installation

The unit operates with one commercially available 3V Lithium battery (CR 2032) only. Open the battery cover by pulling back the battery door release latch. Insert the battery so the positive side (+) is facing up and close the battery cover. Push the battery door release latch into place. Verify the white witness mark is fully covered by the latch. Keep the contact surface clean of dirt and corrosion, cleaning with alcohol if necessary.

Illumination Operation

DeltaPoint Pro is equipped with eight illumination intensities. To activate the DeltaPoint Pro press and release the power button. Cycling through the illumination intensities is done by repeatedly pressing and releasing the power button. When the highest or lowest setting is reached, the LED will flash 5 times. To change the direction of adjustment, i.e., change from increasing intensity to decreasing intensity, press and hold the power button for 2 seconds and immediately release the button. Then continue pressing and releasing to change intensity.

To power the DeltaPoint Pro off, press and hold the power button for approximately 3 seconds, or until the LED turns off. When reactivated, the unit will return to the last known setting.

DeltaPoint Pro NV (Night Vision)

The DeltaPoint Pro NV is designed to work with the latest generation of white phosphor night vision devices. It offers 10 brightness settings, increasing from night vision (levels 1 and 2) to daytime bright (level 10).

To activate the DeltaPoint Pro NV, press and release the power button. Cycle through the brightness settings by repeatedly pressing and releasing the power button. When the highest or lowest setting is reached, the sight will flash 5 times. The night vision settings (levels 1 and 2) have been pre-set to accommodate most current night vision devices, but these settings can be adjusted to meet the requirements of your specific night vision device.

Brightness Adjustment Operation

Shooters using night vision optics in combination with the DeltaPoint Pro NV may desire to fine tune the intensity of levels 1 and 2 to optimize performance. Shooters may also adjust the brightest setting, level 10, to best match daylight shooting conditions.

The brightness of levels 1, 2, and 10 can be increased in increments of 25% (to a maximum of 250%), or decreased in increments of 5% (to a maximum of 40%). All luminosity adjustments are preserved even if the battery is removed.

If you find it difficult to toggle the button and see the aiming dot at the same time, then use a narrow tool with a flat base (like the eraser end of a pencil) to adjust the brightness settings with ease. Do not use a sharp tool or anything that could potentially damage the button.

To increase brightness:

- Ensure the sight is set at level 1, 2 or 10.
- Turn the sight OFF by holding the button down for approximately 3 seconds and then releasing.
- Now, press and hold the button down for approximately 8 seconds. The sight will turn on, then turn off, and then flash at the new brightness intensity to acknowledge the change request.
- Once the acknowledgement flash has occurred, release the button.

Repeat steps 2 through 4 to continue increasing the brightness. Once maximum brightness has been reached, the acknowledgement flash will be 2 seconds in duration.

Note: Battery life will be reduced if the level 10 intensity is adjusted brighter than factory default settings.

To decrease brightness:

- Ensure the sight is turned on and set at level 1, 2 or 10. (Do not turn the sight off.)
- Press and hold the button down for approximately 8 seconds. The sight will turn off, and then flash at the new brightness intensity to acknowledge the change request.
- Once the acknowledgement flash has occurred, release the button.

Repeat steps 2 and 3 to continue decreasing the brightness. Once minimum brightness has been reached, the acknowledgement flash will be 2 seconds in duration.

NOTE: Decreasing brightness occurs in smaller increments than when increasing it, allowing users to fine tune the brightness of levels 1, 2, and 10.

Factory reset:

If you want to start over, you can easily reset the DeltaPoint Pro NV to factory default settings.

- Turn the sight on.
- Hold the button down for approximately 30 seconds.

After 30 seconds, the sight will flash at high brightness, indicating that it has returned to factory reset settings.

- Release the button.

The sight will continue to flash at high brightness for 3 seconds after the button is released. All brightness adjustments are removed. The sight will then turn off (i.e. stop flashing).

The next time the sight is turned on, it will be set at level 8 of 10, and levels 1, 2, and 10 will be returned to factory default settings.

Low Battery Indicator

The DeltaPoint Pro has a unique feature that flashes the aiming point 10 times when low battery power is detected. The operator will have several hours of operating time in this mode before the sight is rendered inoperable without a battery change.

Power-Saving Mode (Motion Sensor Technology™)

After the optic has been completely at rest for 5 minutes the sight transfers to sleep mode, thus nearly eliminating all battery drain. Upon any movement of the optic, the system powers up the LED to the last known setting. The unit will flash 10 times before automatic power off. The motion sensor will NOT reactivate the DeltaPoint Pro if it has been turned off manually.

CAUTIONS & WARNINGS:

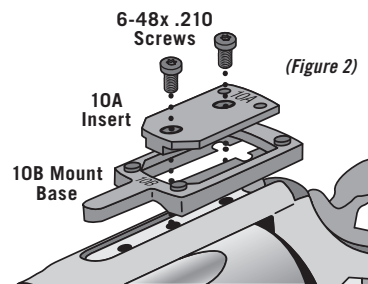
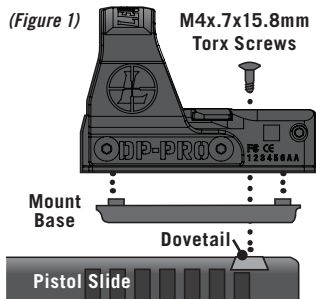


Check to ensure that the magazine of the firearm has been removed or emptied, that the action is open, and that there is not a round in the chamber. Only after double checking the firearm, verifying it is empty and safe, should you proceed with the installation of the DeltaPoint Pro.

Installation

NOTE: If you are installing the DeltaPoint Pro on a milled slide, or Glock MOS the mount base & dovetail are not required. Installation on most handguns requires the use of one of the optional mount bases (sold separately). Leupold recommends utilizing a qualified gunsmith to press/ remove the rear sight from your handgun. Once the rear sight has been removed, the appropriate dovetail replaces the rear sight, with the part number facing up. Some installations (Kimber / Smith & Wesson M&P) require the use of the set screws to be placed in the dovetail to hold it in place and the M4x.7x15.8mm Torx screws will fasten into the dovetail plate extension.

The corresponding mount base for your pistol is placed on top of the slide and over the dovetail with the flat part number side facing up through the slot in the base. Once the dovetail and mount base have been placed on the slide, the DeltaPoint Pro is placed on top of the base. The four holes in the bottom of the DeltaPoint Pro will align with the four short posts on the mount base and secure into the dovetail using the two included M4x.7x15.8mm Torx screws (Figure 1). Secure the screws by applying 25 in-lbs of torque. Securing these screws creates a press-fit and will hold the DeltaPoint Pro firmly in place. For Smith & Wesson M&P Core / FNX handguns, check the adapter plate torque every 1000 rounds. Call Leupold customer service for details specific to your handgun. For rifle/shotgun applications, the Cross-Slot Mount allows fast and easy mounting on Weaver-style or Picatinny bases/rails.



Smith & Wesson® Revolver Mount

(For use with Smith & Wesson Classic pre-drilled and tapped K, L, N & X frame revolvers, including .500)

Remove the rear sight and retain the sight and all mounting hardware for future use if necessary. Place the insert (10A) into the mount base (10B) and set both pieces on the revolver as shown below. Install the two 6-48x .210 screws through the dovetail insert and into the last two tapped holes, nearest the hammer in the frame of the revolver (Figure 2). Tighten to 22 in-lbs.

Place the DeltaPoint Pro on the mount base so that the four holes in the bottom of the DeltaPoint Pro will align with the four short posts on the mount base. Then secure the sight with the two M4x.7x15.8mm screws using 25 in-lbs of torque.

Operating Procedure

Elevation and Windage Adjustment

Separate controls for the elevation and windage adjustments are found on the top and right side of the sight. Turn the UP or “R” (RIGHT) screws with a screwdriver, cartridge rim or coin. The windage adjustment mechanism has limit stops at both ends.

Zeroing the Point-of-Impact

The DeltaPoint Pro windage and elevation screws move the point of impact 40 MOA (10" @ 25 yds) per revolution of the dial (1 MOA per click).

Boresighting the DeltaPoint Pro Reflex Sight

To make the boresighting process easier, Leupold recommends placing the eye near the DeltaPoint Pro while making windage/elevation adjustments. As with any boresighting procedure, be sure to follow all safety precautions prior to boresighting, and make sure the boresighter has been removed from the barrel prior to loading the magazine or chamber.



CAUTION: BORESIGHTING THE DELTAPOINT PRO

Verify that the magazine of the firearm has been removed or emptied, and that there is not a round in the chamber. Only after double checking the firearm, verifying it is empty and safe, should you proceed with the boresighting process. Be sure to remove the boresighter from the barrel prior to loading the magazine or chamber.

Leupold Product & Technical Service

If your Leupold product fails to perform in any way, please contact a Leupold Product Specialist within our Product Service department to determine if the problem can be solved without sending the product to Leupold. Many times, the problem can be solved without sending the product to us.

Leupold Technical Service will assist you with the problem in the best and most efficient manner. Register your product online at: Leupold.com/register

PHONE:

5:00 a.m. - 8:00 p.m. PST M-F 1-800-LEUPOLD or (503) 526-1400

FAX:

(503) 352-7621

E-MAIL:

productspecialist@leupold.com

PARCEL SERVICE

Leupold Product Service
14400 NW Greenbrier Parkway
Beaverton, OR 97006-5791 USA

POSTAL SERVICE

Leupold Product Service
P.O. Box 688
Beaverton, OR 97075-0688 USA

Accessories (sold separately)

Single Base/Dovetail available for the following firearms:

- Beretta® 92/96/90-TWO (SKU 170902)
- Taurus PT99 (SKU 170902)
- 1911 Standard (SKU 170904)
- Glock® (SKU 170906)
- SIG SAUER® P226 (SKU 170908)
- Springfield® XD (SKU 170910)
- CZ® 75 (SKU 170903)
- HK® P2000 (SKU 170905)

- Kimber® Fixed/Adjustable (SKU 170907)
- Kimber® 1911 (SKU 177437)
- Smith & Wesson® M&P (SKU 170909)
- Smith & Wesson® Classic (SKU 170911)
- Smith & Wesson M&P Core (SKU 171203)
- Marlin 336 (SKU 172645)
- Ruger American .45 (SKU 172783)
- Ruger American 9mm (SKU 172784)



AR DLOC (171861)

- Allows the DeltaPoint Pro to be installed at perfect height for AR platforms
- Quick detachment with square recoil lugs



AR MOUNT (177154)

- Puts the DP Pro to the right height for AR's
- Fits any Picatinny rail
- Precision machined from aerospace-grade aluminum



CROSS-SLOT RISER (120059)

- Used in conjunction with the DeltaPoint Pro Reversible Cross-Slot Mount to achieve proper height and match alignment of cheek-to- stock weld when installing the DeltaPoint Pro on an AR style rifle



REAR IRON SIGHT (120058)

- Allows for co-witnessing through the DeltaPoint Pro on a handgun
- Faster reticle acquisition and a sure-fire backup in case of battery failure. A taller front sight is required when using the Rear Iron Sight



REVERSIBLE CROSS-SLOT MOUNT (120056)

- For installing the DeltaPoint Pro on Picatinny rails and Weaver-style bases



RING TOP MOUNT KIT (175550, 175554, 175558)

- Available in 30mm, 34mm and 35mm
- Provides secure installation for DeltaPoint Pro on top of Mark 4 rings and IMS mounts. (not compatible with Mark 2 IMS mounts)
- Base plate and hardware included.

Leupold Lifetime Guarantee

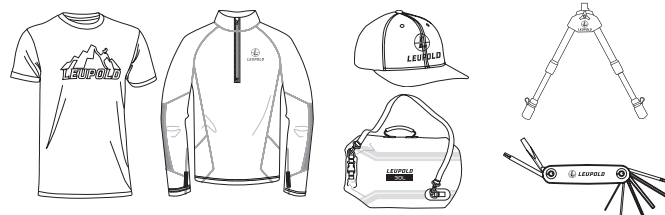
Anyone can offer you a lifetime warranty, but guaranteeing performance takes serious dedication and craftsmanship. From our Beaverton Oregon factory, to the wilderness, the battlesfield, and everywhere in-between, we won't let you down.

If your Leupold scope, red dot sight, binocular or spotting scope doesn't perform, we will repair or replace it for free, whether you're the original owner or not – forever.

For complete details visit leupold.com/warranty

Leupold Pro Gear

From outerwear to shooting accessories, Pro Gear is tested in the field and built to perform. You can see the full lineup at Leupold.com.



Leupold & Stevens, Inc.

PO Box 688 Beaverton, Oregon 97075-0688
leupold.com
1-800-LEUPOLD (538-7653)
Part #120278 Artwork #120279K



LEUPOLD, GOLD RING, MARK 4, the Golden Ring design, the circle-L reticle logo design, and various other marks are registered trademarks of Leupold & Stevens, Inc. All marks, including corporate logos and emblems, are subject to Leupold's rights and may not be used in connection with any product or service that is not Leupold's, or in any manner that disparages or discredits Leupold, or in a manner likely to cause confusion.

Certain other trademarks used in connection with Leupold products and services are the property of their respective owners, and are used with permission. THE BOONE & CROCKETT CLUB® and BOONE & CROCKETT® are registered trademarks of the Boone & Crockett Club. NWTF® is a registered trademark of the National Wild Turkey Federation. RMEF® and ROCKY MOUNTAIN ELK FOUNDATION® are registered trademarks of the Rocky Mountain Elk Foundation. Mossy Oak® Break-Up® Country®, Mossy Oak® Break-Up® Country®, Mossy Oak® Break-Up® Infinity™, Mossy Oak® Mountain, Mossy Oak® Obsession®, and Mossy Oak® Treestand®, are trademarks or registered trademarks of HAAS Outdoors, Inc. A.R.M.S.™ is a registered trademark of Atlantic Research Marketing Systems, Inc. The ARD (anti-reflection device) is manufactured by Vemorex a Division of Armatron Technology Incorporated 110 Chain Lake Drive Unit 3E, Halifax NS Canada B3S 1A9

Cordura® is a registered trademark of Minerva North America S.A.R.L. Freedom Arms™ is a registered trademark of Freedom Arms, Inc. Horus® and Horus Vision® are registered trademarks of Horus Vision, LLC. Kryptek®, Kryptek® Nightlander®, and Kryptek® Typhon™ are trademarks or registered trademarks of Kryptek Outdoor Group, LLC. Magnum Research® is a registered trademark of Magnum Research, Inc. Ruger® is a registered trademark of Sturm, Ruger & Company, Inc. Torx® is a registered trademark of Acument Intellectual Properties, LLC. ZEMAX® is a registered trademark of Zemax, LLC. Zyg® is a registered trademark of Zygo Corporation.

For patent information, visit leupold.com/patents

Copyright © 2020 Leupold & Stevens, Inc. All rights reserved.



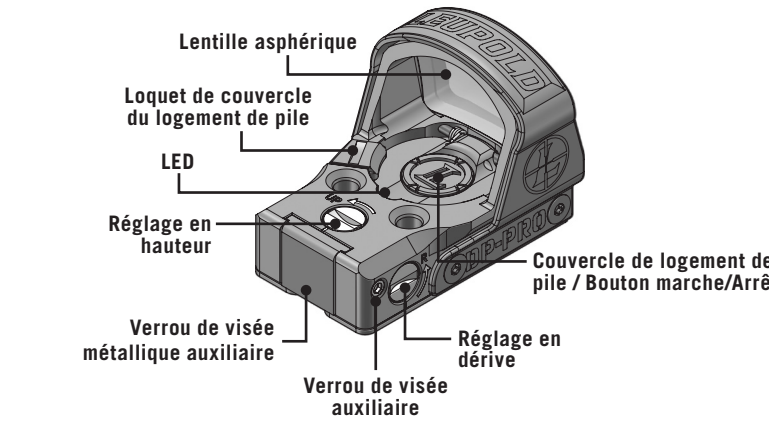
LEUPOLD

Viseur Reflex Leupold®Delta Point® Pro

Instructions de montage et d'utilisation

INSTRUCTIONS D'UTILISATION

Pour obtenir des performances optimales et prévenir tout dommage à cet instrument de précision, nous vous recommandons de suivre avec attention la totalité des instructions de montage et d'utilisation.



CARACTÉRISTIQUES

- Lentilles asphériques traitées DiamondCoat™ pour une grande résistance à l'abrasion et une clarté et luminosité optimales

- Technologie Motion Sensor (MST™)
- Boîtier en aluminium léger pour une grande durabilité
- Petite taille et poids léger
- Dégagement oculaire sans limite
- Utilisable sur armes de poing, fusils lisses et carabines rayées
- Large champ de vision
- Entourage des lentilles anti reflets teinté noir
- Étanche jusqu'à 10 mètres

SPÉCIFICATIONS

- Grossissement x 1.0
- Dimensions de l'écran de visée : 25,7 mm x 17,5 mm
- Plage de réglage en hauteur : 60 MOA
- Plage de réglage en dérive : 60 MOA
- 40 MOA de réglage par tour complet (1 MOA par click)
- Sous-tension du point de visée : 2,5 MOA pour Dot, et 6,0 MOA pour Dot
- Plage de températures d'utilisation : de -29°C à + 49°C
- Plage de températures de stockage : de -40°C à + 71°C
- Énergie fournie par une pile lithium 3V CR 2032
- Dimensions (longueur – largeur- hauteur) : 46,1mm x 33,2 mm x 33,0 mm
- Poids (avec pile): 53,8 grammes

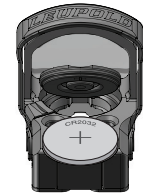
CONTENU DE LA BOITE

- Viseur Delta Point Reflex 2,5 MOA (SKU 119688, 175840, 177156, 179585 ou 179587)
- Viseur Delta Point Reflex 6,0 MOA (SKU 181105 or 181106)

- 1 pile lithium 3 Volts (CR 2032)
- 1 capot de protection
- 2 vis Torx® M4 7x15,8 mm pour l'installation du viseur sur la plaque de montage

- 1 clé Torx® T-15
- 1 clé 6 pans 1/16

- Instructions d'utilisation



INSTALLATION DE LA PILE

Ce viseur fonctionne grâce à une pile 3V au lithium (CR 2032) disponible dans le commerce. Ouvrez le couvercle du logement de pile en tirant le loquet de verrouillage du couvercle vers l'arrière. Insérez la pile avec le côté positif (+) en haut, puis refermez le couvercle du logement. Repoussez le loquet de verrouillage du couvercle en place. Assurez-vous que le repère blanc est bien caché sous le loquet. Gardez la surface du contact propre et sans poussière. Si nécessaire, nettoyez-le à l'alcool dénaturé.

FONCTIONNEMENT DE L'ILLUMINATION

Le DeltaPoint Pro possède huit intensités d'illumination. Pour activer le Deltapoint Pro, pressez puis relâchez le bouton Marche/Arrêt. Pour modifier l'intensité d'illumination, vous devez presser puis relâcher le bouton de mise en route jusqu'à arriver à l'intensité désirée. Lorsque le point le plus haut ou le plus bas d'illumination est atteint, le LED clignote cinq fois. Pour changer le sens de progression de l'intensité d'illumination, comme par exemple passer de l'accroissement à un affaiblissement de l'intensité, pressez sans le relâcher le bouton de mise en route pendant deux secondes, puis relâchez immédiatement ce bouton. Pour éteindre le DeltaPoint Pro, pressez sans le relâcher le bouton de mise en route pendant environ trois secondes, ou bien jusqu'à ce que la LED s'éteigne. Lorsque vous rallumez le DeltaPoint Pro, l'intensité d'illumination sera la dernière utilisée.

DELTAPOINT PRO NV (NIGHT VISION)

Le DeltaPoint Pro NV possède dix réglages d'illumination, augmentant la luminosité du point rouge en faible condition de lumière (niveaux 1 et 2) et restant visible avec une très forte luminosité de jour (niveau 10). Pour activer le DeltaPoint Pro NV, appuyez et relâchez le bouton d'alimentation. Faites défiler les réglages d'intensité en appuyant et en relâchant le bouton d'alimentation de manière répétée. Lorsque l'intensité la plus élevée ou la plus faible est atteinte, le point LED clignote 5 fois.

REGLAGE DE LA LUMINOSITE

Les tireurs qui utilisent des optiques de vision nocturne en combinaison avec le DeltaPoint Pro NV peuvent souhaiter régler l'intensité aux niveaux les plus bas afin d'obtenir la meilleure performance possible. Certains utilisateurs peuvent également souhaiter régler l'intensité au niveau le plus élevé pour s'adapter au mieux à leurs conditions de tir.

Pour ce faire, l'intensité des niveaux 1, 2 et 10 peut être augmentée ou diminuée. Les niveaux 1 et 2 sont destinés à la vision nocturne uniquement. Le niveau 10 est le réglage de luminosité le plus intense disponible sur le DeltaPoint Pro NV.

La luminosité de ces trois niveaux peut être ajustée entre 40% et 250% des paramètres par défaut. La luminosité peut être augmentée par tranche de 25% ou diminuée par tranche de 5%. Tous les réglages de luminosité sont conservés même si la batterie est retirée.

Si vous trouvez qu'il est difficile d'appuer sur le bouton, utilisez alors un outil étroit à base plate (comme l'extrémité à gomme d'un crayon à papier) pour régler la luminosité.

POUR AUGMENTER LA LUMINOSITÉ :

- S'assurer que le viseur est réglé au niveau 1, 2 ou 10.
- Eteindre la visée en maintenant le bouton enfoncé pendant environ 3 secondes le relacher.
- Appuyez sur le bouton et maintenez-le enfoncé pendant environ 8 secondes.

Le point s'allume, s'éteint, puis clignote à la nouvelle intensité de luminosité pour valider la demande de changement.

Une fois que le flash de validation s'est produit, relâcher le bouton.

Répétez les étapes 2 à 4 pour continuer à augmenter la luminosité. Une fois la luminosité maximale atteinte, le flash de validation aura une durée de 2 secondes.

Remarque : La durée de vie de la pile peut être réduite si la luminosité est supérieure aux réglages d'usine.

POUR DIMINUER LA LUMINOSITÉ :

- S'assurer que le viseur est réglé au niveau 1, 2 ou 10.
- Appuyez sur le bouton et maintenez-le enfoncé pendant environ 8 secondes.

Le point s'éteint, puis clignote à la nouvelle intensité de luminosité pour valider la demande de changement.

Une fois que le flash de validation s'est produit, relâcher le bouton.

Répétez les étapes 2 et 3 pour continuer à baisser la luminosité. Une fois la luminosité minimale atteinte, le flash de validation aura une durée de 2 secondes.

REMARQUE : <i>La diminution de la luminosité se réalise par des palliers plus faibles que l'augmentation de la luminosité, ce qui permet aux utilisateurs de régler précisément la luminosité de leur DeltaPoint Pro NV.</i>
--

POUR REVENIR AUX RÉGLAGES D'USINE :

Vous pouvez facilement remettre le DeltaPoint Pro NV aux paramètres d'usine.

- Allumer le point rouge.
- Maintenez le bouton enfoncé pendant environ 30 secondes.
- Après 30 secondes, le point clignote à haute intensité, indiquant que les réglages sont revenus à ceux srtis d'usine.
- Relâchez le bouton.

Le point continuera à clignoter à haute intensité pendant 3 secondes après avoir relâcher le bouton. Tous les réglages de luminosité sont supprimés. Le point s'éteint (cesse de clignoter).

Lors du prochain allumage du point , le réglage d'intensité sera de 8 sur 10.

INDICATEUR DE PILE FAIBLE

Le DeltaPoint Pro est équipé d'un dispositif particulier qui fait clignoter dix fois le point central de visée dès qu'une faiblesse de charge de la pile est détectée. L'opérateur a alors plusieurs heures d'utilisation devant lui avant l'arrêt total de l'appareil si la pile n'est pas remplacée.

MODE ÉCONOMIE D'ÉNERGIE (MOTION SENSOR TECHNOLOGY™)

Après cinq minutes au repos et sans mouvement, le viseur passe en mode veille, ce qui élimine pratiquement toute déperdition d'énergie de la pile. Au moindre mouvement de l'optique, le système rallume la LED sur le dernier réglage utilisé. Le système d'illumination clignote dix fois avant l'arrêt automatique. Le Motion Sensor ne réactive pas le DeltaPoint Pro si il a été coupé manuellement.

CAUTIONS & WARNINGS:
<div><div><div></div></div><div><i>Assurez-vous que le chargeur de votre arme à feu est vide ou a été enlevé, que la culasse est ouverte et qu'il n'y a pas de cartouche dans la chambre. Ce n'est qu'après avoir contrôlé par deux fois que votre arme est vide et en sécurité que vous pourrez commencer à installer le DeltaPoint Pro.</i></div></div>

INSTALLATION

***REMARQUE :** si vous installez le DeltaPoint Pro sur une culasse déjà usinée ou sur un Glock MOS, l'embase et le montage pour queue d'aronde ne sont pas nécessaires. Le montage sur une arme de poing nécessite l'emploi d'une des embases optionnelles (vendues séparément). Leupold recommande de recourir aux services d'un armurier qualifié pour retirer la hausse de votre arme de poing. Une fois cette hausse retirée, la queue d'aronde dédiée à votre arme peut être installée en lieu et place de la hausse d'origine. Certains montages (sur Kimber ou Smith & Wesson) nécessitent l'emploi de vis de blocage pour un maintien ferme en place ; les vis Torx® M4x 7x15,8 mm seront vissées dans la queue d'aronde pour bloquer la plaque d'extension.*

Le montage correspondant à votre arme de poing est disposé au-dessus de la culasse et de la queue d'aronde avec la face plate portant le numéro sur le haut et visible à travers la fente usinée dans l'embase. Lorsque la queue d'aronde et l'embase sont positionnées sur la culasse, le DeltaPoint est placé au dessus de l'embase. Les quatre trous de la base du DeltaPoint sont alignés avec les quatre plots de vissage de l'embase de montage et seront reliés par les deux vis torx® M4x 7x15,8 mm (illustration 1). Serrez les vis à un couple de 25 inch/pound. La fixation ferme obtenue à l'aide de ces vis va créer un ajustage par pression entre les pièces qui empêchera tout mouvement du DeltaPoint. Pour les armes de poing type Smith & Wesson M&P Core / FNx, vous devrez contrôler le couple de serrage tous les mille coups. Vous pouvez joindre le Service technique Leupold pour toute information spécifique relative à votre arme de poing. Pour une installation sur fusil lisse et carabine, le montage Cross-Slot vous permet un montage rapide et facile sur une embase ou rail type Weaver ou Picatinny.

MONTAGE SUR REVOLVER SMITH & WESSON®

(Pour montage sur revolvers Smith & Wesson Classic pré-percés et filetés (carcasses K,L;N et X, calibre .500 inclus).

Démontez la hausse et rangez-la soigneusement pour une éventuelle utilisation ultérieure. Placez l'insert 10A dans l'embase de montage (10B), puis positionnez ces pièces sur le revolver comme montré ci-dessous. Vissez les deux vis 6x48 .210 à travers l'insert dans les deux filetages à l'arrière de la carcasse illustration 2). Serrez les vis au couple de 22 in-lbs.

Positionnez leDeltaPoint au dessus de l'embase de sorte que les quatre trous de la base du DeltaPoint soient alignés avec les quatre plots de vissage de l'embase de montage (illustration 3). Serrez les vis les deux vis M4x 7x15,8 mm à un couple de 25 inch/pound pour une fixation ferme et sûre.

PROCÉDURE DE FONCTIONNEMENT RÉGLAGES EN HAUTEUR ET EN DÉRIVE

Les commandes séparées de réglages en hauteur et en dérive se situent sur le dessus et à droite du viseur. Faites tourner les vis marquées UP ou « R » (droite) à l'aide d'un tournevis, du burrelet d'une cartouche ou d'une pièce de monnaie. Le mécanisme de réglage en dérive est doté d'arrêts en fin de course à ses deux extrémités.

ZÉROTAGE DU POINT D'IMPACT

Les vis de réglage en hauteur et dérive du DeltaPoint font bouger le point d'itmpact de 40MOA (10 à 25 mètres) par tour complet de la tête de vis (1 MOA par click).

SIMBLEAUTAGE DU VISEUR DELTAPOINT REFLEX AVEC UN COLLIMATEUR

Pour réaliser un simbleautage facile, leupold recommande de placer l'œil près du DeltaPoint Pro pendant les ajustements en hauteur et en dérive. Comme lors de toute opération de simbleautage, vous devez respecter les consignes de sécurité avant d'installer le collimateur. Vous vous assurerez d'avoir retiré le collimateur du canon avant de remplir le chargeur ou d'introduire une cartouche dans la chambre.

<div><div><div></div></div><div>AVERTISSEMENT :</div></div>
<div><div><div><i>Assurez-vous que le chargeur de votre arme à feu est vide ou a été enlevé, que la culasse est ouverte et qu'il n'y a pas de cartouche dans la chambre. Ce n'est qu'après avoir contrôlé par deux fois que votre arme est vide et en sécurité que vous pourrez commencer le simbleautage à l'aide d'un collimateur. Assurez-vous de bien avoir retiré le collimateur du canon avant de remplir le chargeur ou d'introduire une cartouche dans la chambre.</i></div></div></div>

SERVICE TECHNIQUE PRODUITS LEUPOLD

Si votre lunette Leupold ne fonctionne pas bien, vous pouvez contacter un Spécialiste du Service qui déterminera si le problème peut être résolu sans le retour du produit à l'usine. La plupart de ces problèmes sont souvent résolus à distance. Le Service Technique Leupold vous apportera toute son aide.

POUR CONTACTER LE SERVICE TECHNIQUE LEUPOLD

TÉLÉPHONE :

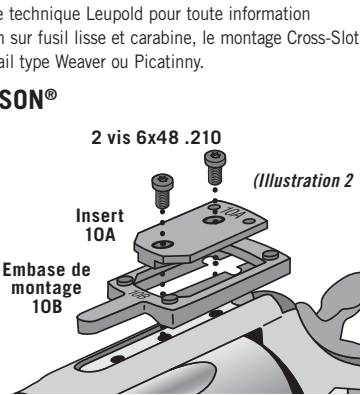
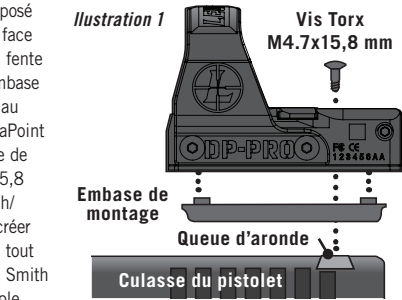
7h30 à 14h30. Lundi au Vendredi:
1-800 LEUPOLD ou (503) 575-1400

FAX :

(503) 352-7621

E-MAIL :

productspecialist@leupold.com



ACCESSOIRES (VENDUS SÉPARÉMENT) MONTAGES DISPONIBLES :

- Beretta® 92/96/90-TWO** – Embase 1B/queue d'aronde 1A (SKU 170902)
- Taurus PT99** – Embase 1B/queue d'aronde 1A (SKU 170902)
- 1911 Standard** – Embase 2B/queue d'aronde2A (SKU 170904)
- Glock®** – Embase 3B / Queue d'aronde 3A (SKU 170906)
- SIG-SAUER® P226** – Embase 4B / queue d'aronde 4A (SKU 170908)
- Springfield® XD** – Embase 5B / queue d'aronde 5A (SKU 170910)
- CZ®75** – Embase 6B / queue d'aronde 6A (SKU 170903)
- HK®P200** – Embase 7B / queue d'aronde 7A (SKU 17095)

AR DLOC (171861)	HAUSSE MÉTALLIQUE DELTAPOINT PROAUXILIAIRE (12058)
MONTAGE POUR AR (177154)	MONTAGE CROSS SLOT RÉVERSIBLE POUR DELTAPOINT PRO (120056)
PLAQUE CROSS-SLOT DE SURÉLÉVATION DU DELTAPOINT PRO (120059)	KIT DE MONTAGE SUPÉRIEUR DE BAGUE (175550, 175554, 175558)
	• Disponible en 30 mm, 34 mm et 35 mm

GARANTIE À VIE LEUPOLD*

N'importe qui peut offrir une garantie à vie, mais garantir des performances demande beaucoup de sérieux et un énorme savoir-faire. De notre usine à Beaverton Oregon, aux étendues sauvages en passant par les champs de bataille et partout ailleurs, nous ne vous abandonnerons pas.

Si votre lunette Leupold, ou jumelles, longue vue, point rouge, ne fonctionnent pas, nous les réparerons ou les remplacerons gratuitement, que vous en soyez le propriétaire d'origine ou pas - pour toujours.

*Non valable en Europe

Pour tous les détails, visitez leupold.com/warranty

LEUPOLD PRO GEAR

From outerwear to shooting accessories, Pro Gear is tested in the field and built to perform. You can see the full lineup at Leupold.com.



LEUPOLD. GOLD RING. MARK 4. le design du Golden Ring, le design du logo du réticule circle-L, et divers autres modèles sont des marques déposées par Leupold & Stevens Inc. Ces marques, incluant les logos et emblèmes du Groupe sont sujets à droits et ne peuvent pas être utilisés sur tout produit ou service étranger à Leupold, ni en aucune manière pour tout acte qui pourrait créer la confusion ou discréditer et nuire à Leupold.

Certaines autres marques déposées utilisées en relation avec les produits et services Leupold appartiennent à leurs propriétaires respectifs et sont utilisées avec leur permission. BOONE & CROCKETT CLUB et BOONE AND CROCKETT sont des marques déposées de Boone and Crockett. RMEF et ROCKY MOUNTAIN ELK FOUNDATION sont des marques déposées de la Rocky Mountain Elk Foundation. ADVANTAGE TIMBER et ADVANTAGE TIMBER HD sont des marques déposées ou des marques commerciales de Jordan Outdoor Enterprises Ltd. Mossy Oak Break-Up, Mossy Oak Break-Up, Mossy Oak Brush, Mossy Oak Obsession et Mossy OakTreestand sont des marques déposées ou des marques commerciales de M&AS Outdoors Inc. A.R.M.S. est une marque déposée de Atlantic Reach Marketing Systems Inc.

Nous nous réservons le droit d'apporter toute modification de conception et de matériaux à nos produits sans notice préalable.

Copyright© 2020 Leupold & Stevens Inc. Tous droits réservés