

# Charles Daly®

The Shooting Sports Specialist™

SAFETY & INSTRUCTION MANUAL

## 1911 Models Empire | Superior | Field



READ THE INSTRUCTIONS & WARNING IN THIS  
MANUAL CAREFULLY BEFORE USING THIS FIREARM

## PURCHASER'S RECORD

Model # \_\_\_\_\_

Purchase Date: \_\_\_\_\_

Gauge/Caliber: \_\_\_\_\_

Serial #: \_\_\_\_\_

Purchase Price: \_\_\_\_\_

Store Name: \_\_\_\_\_

**Charles Daly®**

# TABLE OF CONTENTS

Warnings .....	4
Safety Rules .....	5-6
Identifying Marking .....	7
Description & Specs .....	7
Nomenclature .....	7
Safety Features .....	7-8
Loading .....	8-9
Unloading .....	10
Disassembly .....	10-11
Reassembly .....	11
Cleaning & Maintenance .....	12
Exploded View & Parts List .....	13-14
Warranty Conditions .....	15-16



**WARNING - DO NOT DRY FIRE**

# WARNINGS

The manufacturer is not responsible for damage to objects caused by misuse of the firearm or for injuries to persons or animals, or in case of death, caused voluntarily or involuntarily by the firearm user. The manufacturer is not responsible for injuries caused by poor maintenance, misuse of the firearm, unauthorized or improper modifications.

The manufacturer declines responsibility for the indirect consequences of any injuries and/or death of persons or animals, damage to objects caused by use of the firearm or by primer explosion, by bullet's ricochet, or unsafe loading practices and/or procedure.

Read the entire manual and learn the proper use of the firearm without live ammunition. It is important that you understand the proper use of this product. The life of the people close to you may depend on your safe behavior.

If the manual is not clear, please contact the dealer where you bought the firearm or call the distributor or the manufacturer by using the contact information provided within this manual.

**The manufacturer declines any responsibility for misuse of the firearm. In case of alteration of the firearm, The manufacturer declines any civil and penal responsibility and will not refund any damage.**

**Quality Inspection:** Every firearm is thoroughly inspected by the manufacturer, for function and cosmetic blemish, prior to shipment.

Firearms produced in our U.S. facility or Turkey are scrupulously tested at the manufacturing premises.

**⚠ WARNING: Discharging firearms in poorly ventilated areas, cleaning firearms, or handling ammunition may result in exposure to lead or other substances known to the State of California to cause birth defects, reproductive harm, and other serious physical injury. Have adequate ventilation at all times. Wash hands thoroughly after exposure.**


**ANY LEGAL DISPUTE WILL BE UNDER THE JURISDICTION OF A COURT IN THE STATE OF OHIO - USA, OR IN THE COURT OF BRESCIA - ITALY, AT OUR DISCRETION**

# SAFETY RULES

1. Read the instructions carefully before use. Reading the manual and careful examination of the firearm are fundamental to avoid any kind of problem.
2. Be aware that you are handling a firearm; therefore your knowledge and behavior may affect your life and those of the people close to you.
3. Firearms and ammunitions must be kept in separate places.
4. Always keep firearm and ammunitions out of reach of children.
5. Store the firearm in a clean, dry and airy place after use to avoid rust in mechanical parts that may cause serious problems in functioning after a period of inactivity.
6. The firearm must always be stored unloaded, always check that the chamber is empty.
7. Keep away from open flames or heating sources.
8. Never leave a loaded firearm unattended.
9. Never leave the firearm loaded, it could fall and cause injury and death. Always point the firearm in a safe direction, and handle it as though it were loaded. This is especially important when loading and unloading the firearm and when handing it to someone else. Never take someone's word that it is unloaded. Always make sure the firearm is unloaded before laying it down or handing it to someone else.
10. After use, clean and lubricate the inside of the barrel with appropriate oil. Grease or oil build up can cause excessive pressure and result in serious personal injuries. Before using the firearm again, inspect the barrel and chamber to make certain that there are no obstructions in the bore. Remove any oil residue with rod and dry patch before shooting.
11. Accumulation of rust in the barrel can cause excessive pressures resulting in serious injury and may cause the explosion of the barrel. A rusted, pitted or eroded barrel should be replaced.
12. Before shooting always check to ensure that the barrel is free of obstructions.
13. Never force a jammed action, this act could cause explosion of the round and consequent injury.
14. Use factory loaded ammunition of the caliber specified on the firearm barrel. Use of different calibers may cause serious personal injuries to you and to people close to you.
15. In case of misfire, manually extract the cartridge from the chamber. If firearm fails to fire when trigger is pulled, as a result of slow primer ignition (hang fire), keep muzzle pointed downrange for a minimum of 30 seconds. If the round does not fire, remove the magazine, clear the firearm and examine the ejected, unfired cartridge. If the indent from the firing pin is off center, light or absent, take the gun to a competent gunsmith. If the indent appears normal compared to other rounds, assume a faulty round, separate from other cartridges, reload and continue shooting.
16. Do not attempt to re-use unexploded ammunitions.
17. Never modify any parts of your firearm. Any alteration may cause serious personal injury and voids the warranty.
18. Only a qualified gunsmith may service the firearm for repair or serious maintenance.
19. Pay great attention during transportation and use. Mechanical safety devices can fail. Developing intelligent, good safety habits is the best way to prevent accidents.

# SAFETY RULES

1. Never rest your finger on the trigger until the very moment you wish to shoot. Always keep the safety on until you are ready to safely shoot at an intended target. Note: Safety devices on firearms are extras and are not a substitute for your proper and safe handling practices.
2. Always keep the firearm unloaded when transporting it from home to the shooting areas. Carefully check that cartridge chamber is empty.
3. When you walk around with the firearm in a shooting area, always keep the muzzle pointed in a safe direction.
4. Never run with a loaded firearm, do not cross any obstacle (fences or water courses, etc.) or walk where there is any possibility of slipping or falling without having your firearm unloaded and in safety position.
5. When selecting a place to shoot, always be absolutely sure of your target and the area behind it before you touch the trigger, making sure there is an adequate backstop which will stop and contain bullets. A bullet can travel through or past your target with a range up to 1.5 miles. If you have any doubt, do not shoot.
6. Never shoot against a solid surface or in a pool of water, the projectiles could ricochet and shoot toward any direction. Do not shoot up into the sky.
7. Keep all bystanders behind you, standing beside a shooter is not a safe position. Make sure all other shooters and bystanders are well away from the ejection port.
8. Do not smoke while handling, loading or shooting any ammunition, especially black powder. Keep black powder in a closed container at all times, re-closing the container after each and every use.
9. Never drink alcoholic beverages or take any drugs before or during shooting, as this not only constitutes criminal disregard for your safety and that of others, but will seriously impair your judgment and vision. Never use a firearm while you are taking medication unless you have checked with your doctor to ensure you are fit to handle the firearm safely.
10. Always wear and encourage others near you to wear proper ear protection when shooting, especially on a range since the noise from your firearm and other firearms close to you, could result in permanent hearing loss.
11. Always wear protective shooting glasses to protect your eyes from injury by gun powder, gas, lubricant, dirt or metallic particles, carbon residue, sparks or other debris.
12. Wash hands thoroughly after shooting and handling firearms to remove any unwanted residues.
13. Never leave the loaded firearm or the loaded magazine in the sun.
14. By replica firearms there is no modern safety. In this case you must pay even more attention to safety rules.

 **Remember:** No mechanical safety device is infallible. The user is responsible for injuries or damages caused to him or to other persons. Complete knowledge of your firearm can make the difference.

# IDENTIFYING MARKINGS

Every firearm we produce has a serial number that is marked on the receiver/frame. Close to the serial number you will also find the manufacturers information with the model name and caliber marked either on the frame or the barrel as required by law.

**These markings must not be removed from the firearm for any reason.**

## DESCRIPTION & SPECS

All Charles Daly 1911 models include beavertail grip safety, combat trigger, combat hammer and dovetail front and rear sights. The Empire Grade model comes with VZ<sup>®</sup> Grips and features checkered front strap. The Superior and Field Grade models come with diamond checkered walnut grips.

MODEL	CALIBER	WEIGHT	LENGTH	HEIGHT	BARREL	TRIGGER	CAPACITY
EMPIRE	45ACP	2.6 LBS.	8.7 IN	5.7 IN	5 IN	4 LBS.	8+1
	9MM	2.7 LBS.	8.7 IN	5.7 IN	5 IN	4 LBS.	10+1
SUPERIOR	45ACP	2.5 LBS.	8.7 IN	5.7 IN	5 IN	4 LBS.	8+1
	9MM	2.5 LBS.	8.7 IN	5.7 IN	5 IN	4 LBS.	10+1
FIELD	45ACP	2.5 LBS.	8.7 IN	5.7 IN	5 IN	4 LBS.	8+1

## NOMENCLATURE



## SAFETY FEATURES

**TRIGGER GUARD** - The trigger guard is a loop of metal that surrounds the trigger, protecting it from damage or accidental discharge.

**SLIDE LOCK SAFETY** - The slide lock safety is located on the left side of the frame immediately forward of the hammer. To operate, pull slide to its most rearward position and release. Then push safety upward until it fully engages the slide lock notch. The slide is thereby prevented from moving rearward and on internal cam surface engages the sear preventing the hammer from moving forward. The slide lock safety cannot be engaged unless the hammer is fully cocked and the slide is fully forward. To disengage, move safety fully downward until it is completely down.

**GRIP SAFETY** - The grip safety is located on the upper rear portion of the frame immediately below the hammer and is automatically engaged through spring pressure. It prevents the rearward movement of the trigger. To disengage, grip the pistol grip firmly. This will allow grip safety to move out of contact with rear of trigger, allowing rearward movement.

**DISCONNECTER** - The disconnecter prevents a round from being fired prior to being properly seated in the chamber with the slide and barrel locked. If the slide is not fully forward, the disconnecter is depressed and disengages the sear so that the hammer cannot drop if the trigger is pulled. With the slide fully forward and the barrel locked, a spring pushes the disconnecter into a recess in the bottom of the slide. The disconnecter now engages the sear so that the hammer can move forward when the trigger is pulled.

**HAMMER SAFETY STOP** - The hammer safety stop is a notch on the hammer, which prevents it from falling fully forward in the event of primary sear notch failure. It also prevents the hammer from hitting the firing pin should your fingers slip from the slide or hammer while cocking the pistol, provided the hammer has been moved past the stop. The safety stop is not a manual safety! Do not under any circumstances use the safety stop as a "half cock" position. This misuse can result in damage to the sear, and, or unintentional discharge of the pistol. The safety stop position is on automatically engaging safety feature and should never be engaged by hand.

**INERTIA FIRING PIN** - The firing pin is held in a rearward position by spring tension. Being shorter than the housing, it cannot protrude through the face of the slide until the spring tension and the inertia of the pin itself is overcome by the force of the falling hammer.

## LOADING

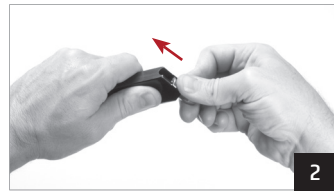
**Keep the muzzle pointed in a safe direction and follow the rules of firearm safety.**

Practice these steps with an unloaded pistol or dummy ammo until you are completely familiar and comfortable with the procedures. Use live ammo only when you are prepared to shoot. Always use clean, dry high quality ammunition (of the proper caliber) that meets SAMMI industry performance standards.

1. To release the magazine from the frame, hold your free hand under the magazine and with the thumb of your shooting hand, index finger for left-handed shooters, depress the magazine catch, which is located on the left side of the frame behind the trigger. This will cause the magazine to fall free of the magazine well (Fig. 1).



2. To load the magazine, place the round at the top (open end), push down and back making sure that the back of the cartridge is facing the rear of the magazine. Repeat this procedure until the magazine is fully loaded (Fig. 2).
3. Place the magazine in the magazine well in the frame, with the rounds facing forward, and push up until magazine is fully seated. A click will be heard when this is done properly as the magazine catch engages (Fig. 3).
4. To chamber a round, hold the pistol in the shooting hand without touching the trigger. Make sure it is pointed in a safe direction. With the thumb and forefinger of the opposite hand, grab the serrated finger grips on both sides of the rear of the slide and pull it fully rearward, then release (Fig. 4). Do not "ride" the slide down to the forward position. Fully release the slide unhindered. Keeping your hand on the slide may cause a mis-feed, or stop the breech from fully closing. This will cock the hammer, strip off the top round from the magazine and chamber it. The pistol is now fully loaded and ready to fire. Keep muzzle pointed in a safe direction and engage slide lock safety until ready to shoot. Always unload the pistol immediately after use and before storage.



**NOTE:** 1911 style handguns were designed to function best with bullets with smooth contoured nose, seated to an overall length of at least 1.260 inches. Shorter, blunter ammunition, such as hollow points, will normally function best if the barrel is throated and polished specifically for the desired bullet configuration by a competent gunsmith.

**When cartridges fail to feed, check the following:**

- A. Substandard Ammunition
- B. Cartridge Overall Length Too Short
- C. Bullet Nose Too Blunt
- D. Non-Military Type Ammunition That Requires Feed Ramp Throating & Polishing By A Gunsmith.
- E. Slide Is Short Stroking. Ammunition Charge Is Not To Military Specifications.

# UNLOADING

**Keep the muzzle pointed in a safe direction and follow the rules of firearm safety.**

1. First remove magazine as in (Fig. 1) of previous section. Do not proceed until this is complete.

**⚠ WARNING: The pistol will still fire a chambered round with the magazine removed.**

2. If all of the rounds from the magazine have been fired, the slide will automatically lock in the open position. If slide does not automatically lock in the rearward position do it manually and visually inspect the chamber to ensure that it is empty and clear of ammunition.
3. Release slide forward onto the empty chamber by pulling slide fully rearward and ease the slide closed. Repeatedly allowing the slide to slam closed on an empty chamber will cause premature wear and loosening.
4. To remove rounds from the magazine, push the cartridges forward until they clear the retaining lips.
5. Pull the trigger allowing the hammer to free fall forward on the empty chamber. Do not “ease” the hammer down by holding or blocking it. Doing so can damage the sear tip, which will result in a substandard trigger pull.

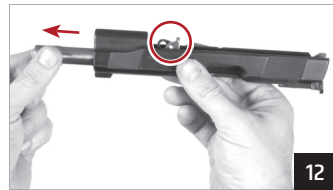
# DISASSEMBLY

**Keep the muzzle pointed in a safe direction and follow the rules of firearm safety.**

**⚠ WARNING: Make sure the gun is unloaded.**

1. With the pistol unloaded, magazine removed and the hammer down, depress the recoil spring plug with the supplied wrench and turn the barrel bushing clockwise until the recoil spring plug and recoil spring are free. Be careful, the recoil spring and plug are under tension and can fly out with substantial force (Fig. 5).
2. Ease out recoil spring and plug (Fig. 6). If recoil spring does not come out easily, remove plug and leave the spring for Step 6.
3. Cock the hammer and push the slide rearward until the semi-circular tab on the back of the slide stop is aligned with the semi-circular disassembly notch on the bottom of the slide (Fig. 7).
4. Push inward on the end of the slide stop shaft on the right side of the pistol (Fig. 8).
5. Remove the slide stop from the left side (Fig. 9).
6. Turn pistol upside down and slide the slide assembly forward off the frame (Fig. 10).
7. Using the supplied wrench, turn the barrel bushing counterclockwise until the lug aligns with the opening and remove the bushing from the front of the slide.
8. Remove the full-length recoil spring guide from the bottom of the slide by rotating it away from the barrel and withdrawing it towards the rear of the slide. The barrel link can get in the way of removal. To stop this, hold the slide inverted and rotate the link to its full forward position. The guide rod can now be lifted over the link (Fig. 11).

9. Tip the barrel link forward to clear the recoil spring tunnel. Then pull the barrel forward clear of the slide. The pistol is now disassembled for cleaning purposes (field stripped). Do not drop the hammer while slide is removed from the pistol (Fig. 12).



## REASSEMBLE

To reassemble, follow steps in reverse order. The most difficult procedure is often the alignment of the barrel link with the slide latch hole in the frame. The alignment can be seen through the hole and the link can be aligned by moving the slide very carefully back and forth until it drops into place. Do not try aligning the link and the semi-circular disassembly notch and top of the slide stop at the same time. Align the link first, insert the slide stop shaft and then rotate the slide stop upward until it aligns with the disassembly notch. Then push the slide stop inward until it is properly seated in place.

# CLEANING & MAINTENANCE

**⚠ WARNING: Make sure the firearm is unloaded.**

1. Disassemble the pistol as described in the previous section.
2. Brush the bore and chamber with a good quality powder-removing solvent.
3. Wipe all ports clean with patches and swabs.
4. After cleaning the entire pistol, apply a light coat of high quality gun oil through the bore and on all surfaces.
5. Reassemble as previously described.
6. Always run a dry patch through the bore, prior to shooting, to remove excess oil or grease.

## STORAGE

Clean thoroughly and oil your firearm before storage. Store the firearm in a case to prevent scratches and dents. Store your firearm in a dry place to prevent corrosion. **Store the firearm away from children and in a place where it cannot be obtained by those unauthorized to use it. Always store firearm unloaded and separately from and ammunition.**

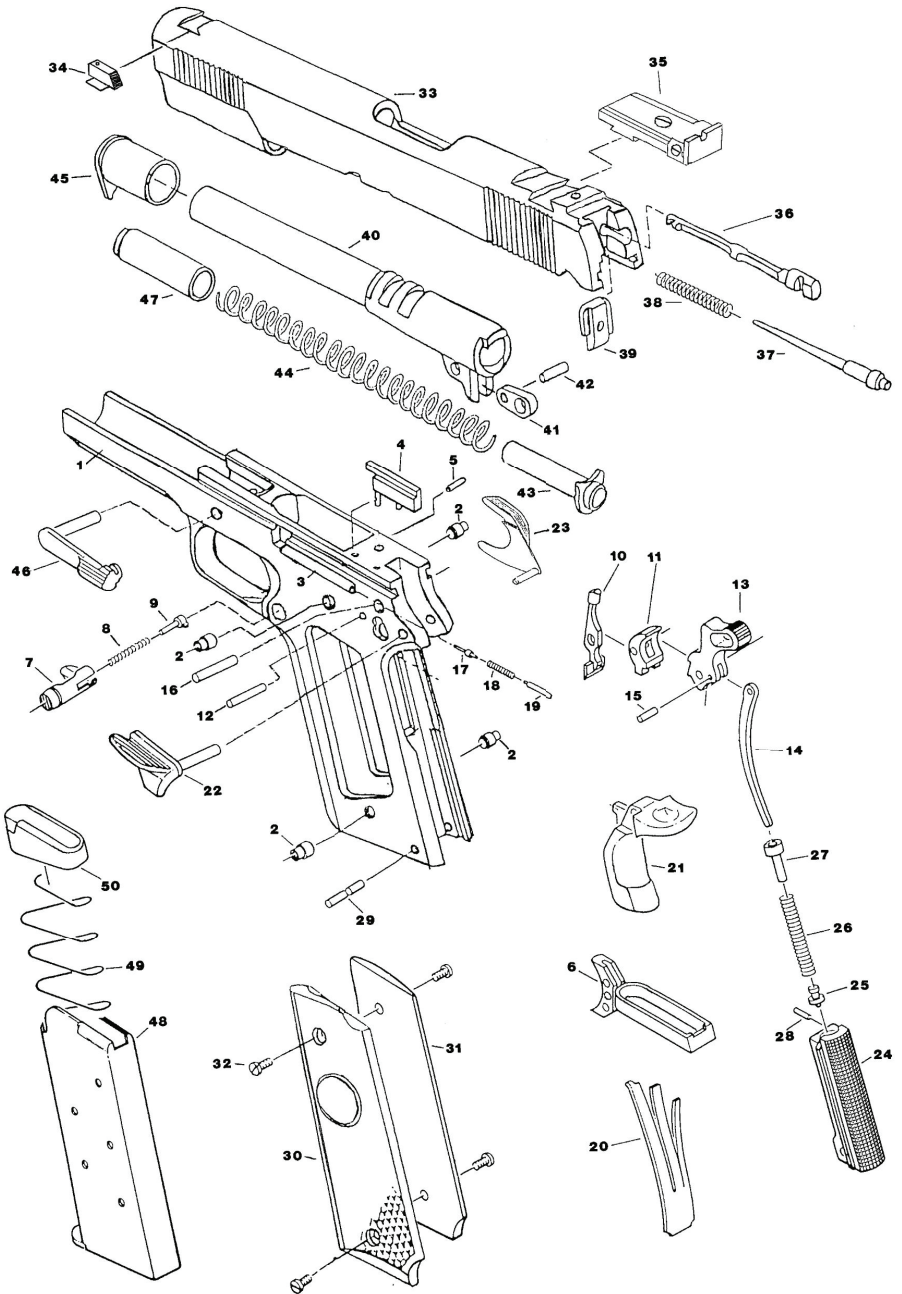
## HAZARDOUS MATERIAL WARNING

Discharging firearms in poorly ventilated areas, cleaning firearms, or handling ammunition, may result in exposure to lead and other substances known to cause birth defects, reproductive harm, and other serious injury. Have adequate ventilation at all times. Wash hands thoroughly after exposure.

## THANK YOU

Thank you for purchasing your firearm from us. We are certain it will bring you years of hunting and/or shooting pleasure. Your satisfaction is the key to our success. Please let us know if we can be of service and relay and observations about your firearms' performance or appearance.

# EXPLODED VIEW



# PARTS LIST

PART	DESCRIPTION	PART	DESCRIPTION
1	Frame	40	Barrel
2	Grip Screw Bushing	41	Barrel Link
3	Plunger Tube	42	Barrel Link Pin
4	Ejector	43	Recoil Spring Guide
5	Ejector Pin	44	Recoil Spring
6	Trigger Assembly	45	Barrel Bushing
7	Magazine Catch	46	Slide Stop
8	Magazine Catch Spring	47	Recoil Spring Plug
9	Magazine Catch Lock	48	Magazine
10	Disconnecter		
11	Sear		
12	Pin Sear		
13	Hammer		
14	Hammer Strut		
15	Hammer Strut Pin		
16	Hammer Pin		
17	Slide Stop Plunger		
18	Plunger Spring		
19	Safety Lock Plunger		
20	Sear Spring		
21	Grip Safety		
22	Safety Lock Left		
23	Safety Lock Right		
24	Mainspring Housing		
25	Mainspring Housing Pin Retainer		
26	Mainspring		
27	Mainspring Cap		
28	Mainspring Cap Pin		
29	Housing Pin		
30a	VZ Operator II G10 Black Grips (Empire)		
30b	Walnut Wood Grips (Superior & Field)		
32	Grip Screw		
33	Slide		
34a	Front Sight (Empire)		
34b	Red Fiber Optic Front Sight (Superior)		
35a	Adjustable Rear Sight (Empire)		
35b	Red Fiber Optic Rear Sight (Superior)		
36	Extractor		
37	Firing Pin		
38	Firing Pin Spring		
39	Firing Pin Stop		

# WARRANTY CONDITIONS

This warranty only applies to Charles Daly products imported by Chiappa Firearms USA, Ltd. and purchased in the USA.

The manufacturer guarantees that our products are scrupulously checked against defects in materials, workmanship, aesthetics and functioning problems.

In case you find a defect in one of our products, you should immediately contact Chiappa Firearms USA, Ltd. All warranty work will be performed by Chiappa Firearms USA, Ltd.

**⚠ ATTENTION:** All customers returning product for warranty service must first obtain an RMA (Return Merchandise Authorization) from Chiappa Firearms USA, Ltd. The request for an RMA (Return Merchandise Authorization) may be obtained through our web site, email or phone. Information required is name and address, model, serial number, and defect. It is the customer's responsibility for adequately packaging the product to prevent shipping damage. Any damages occurred during transportation and handling will be the customer's responsibility.

The Charles Daly 5-year warranty guarantees for two years after the original purchase date of the original owner, free parts and labor for defects which have been found during use; wear of parts which shouldn't be subject to wear, or excessive wear of parts subject to wear and further supply free parts for an additional 3 years except for wood. Wood is covered for 1 year. The customer must provide evidence they are the original owner and proof of the purchase date with a receipt or other valid proof.

In the event a defect which is covered by this guarantee is not repairable, the manufacturer will provide for a free substitution of the product.

**THE MANUFACTURER RESERVES THE RIGHT OF DEFINING THE TYPE OF DEFECT OF THE FIREARM AND THEREFORE TO STATE WHETHER THE DEFECT IS COVERED BY GUARANTEE.**

The manufacturer's decision will be fair but final. Should the manufacturer become aware of a defect of a product during the guarantee period, the defective part will be replaced free of charge.

The guarantee does not cover parts subject to wear and corrosion. For assistance in obtaining an RMA (Return Merchandise Authorization), please contact Chiappa Firearms USA, Ltd. at (937) 835-5000 or email at [service@chiappafirearms.com](mailto:service@chiappafirearms.com).

**⚠ ATTENTION: DELIVERY EXPENSES TO AND FROM THE SERVICE CENTER ARE NOT COVERED BY THE GUARANTEE AND WILL BE CHARGED TO THE CUSTOMER.**

# WARRANTY CONDITIONS

## The Guarantee Is Void In Case:

- Inadequate ammunition has been used (any ammunition but those commonly on sale, reloaded ammunition, different from caliber and specification indicated on the firearm barrel)
- The product failed to be provided proper maintenance and cleaning
- The product has been modified without our prior consent
- Unauthorized, inadequate or incorrect repairs have been carried out
- Non-original spare parts were used
- Parts subject to wear and corrosion
- Damage (improper use of the gun by the user)
- Expired guarantee

**In the above cases the repair, if completed, will be charged to the customer.**

In case, for any valid reason, you do not have the possibility to obtain repair under guarantee at the shop where you bought the product, you may contact us directly for warranty service or questions:

Chiappa Firearms USA, Ltd.  
1415 Stanley Ave, Dayton, OH 45429  
Tel: (937) 835-5000  
Email: [info@chiappafirearms.com](mailto:info@chiappafirearms.com).

**THIS MANUAL MUST ALWAYS FOLLOW THE PRODUCT,  
ALSO IN THE EVENT OF NEW OWNERSHIP.**

## Warranty Procedures:

First, register your product on our website: <http://www.charlesdaly.com>. Then use one of the following methods to submit a Repair Request:

- **Website:** Fill out the Repair Request form on our website.
- **Email:** [service@chiappafirearms.com](mailto:service@chiappafirearms.com) with subject as "Repair Request" and include: Name, Address, Email, Phone, Serial #, Model, Description of Problem.
- **Phone:** Call 937-835-5000

Chiappa Firearms USA, Ltd. will issue an RMA (Return Merchandise Authorization) with return instructions using the email provided in Repair Request.



# RETURN MERCHANDISE FORM

To return your firearm for any reason, please call Customer Service at 937-835-5000 for return authorization.

## Customer Information

Name: \_\_\_\_\_ RMA# \_\_\_\_\_

Address: \_\_\_\_\_

City: \_\_\_\_\_ State: \_\_\_\_\_ Zip: \_\_\_\_\_

Phone: \_\_\_\_\_ Best Time to Call: \_\_\_\_\_

Email: \_\_\_\_\_

## Product Information

Model: \_\_\_\_\_

Serial #: \_\_\_\_\_

## Gun Shop/ Dealer

Purchase Date: \_\_\_\_\_

Dealer Name: \_\_\_\_\_

Dealer Address: \_\_\_\_\_

## Description of Defect

---

---

---

---

 **Remember:** Attach Proof of Purchase w/ Date







CHARLESDALY.COM

EXCLUSIVELY DISTRIBUTED BY CHIAPPA FIREARMS USA, LTD.

**CHIAPPA**  
f i r e a r m s

1415 Stanley Ave | Dayton, OH 45404 | Tel: 937-835-5000 | Email: [info@chiappafirearms.com](mailto:info@chiappafirearms.com)

Products and specifications are subject to change at anytime without notice.