

# BOLT ACTION RIFLE

## USER MANUAL

**WARNING:** This Manual contains important warnings and should be read carefully before using the rifle.



## TABLE OF CONTENTS

1. ABOUT ATA ARMS .....	3	6.1.1. Removing the Bolt Assembly from the Rifle .....	16
2. INTRODUCTION .....	4	6.1.2. Detailed Disassembly of Bolt Assembly .....	17
3. SAFETY RULES.....	4	6.1.3. Disassembly of Stock and Trigger Guard .....	18
4. BEFORE SHOOTING .....	6	6.2. ASSEMBLY OF THE RIFLE .....	19
4.1. INITIAL ASSEMBLY.....	6	6.2.1. Detailed Assembly of The Bolt Assembly.....	19
4.2. OPERATION OF THE SAFETY BUTTON .....	6	6.2.2. Assembly of Stock and Trigger Guard .....	20
4.2.1. Safety Off, Ready to Fire .....	7	6.2.3. Installing the Bolt Assembly.....	20
4.2.2. Safety On .....	7	7. LENGTH OF PULL ADJUSTMENT .....	21
4.2.3. Safety On and Bolt Locked.....	7	8. CLEANING OF THE RIFLE.....	22
4.3. AMMUNITION .....	8	8.1. CLEANING OF THE BARREL.....	23
4.4. USING THE MAGAZINE.....	8	8.2. CLEANING OF THE BOLT ASSEMBLY .....	23
4.4.1. Removing the Magazine .....	8	8.3. CLEANING OF THE EXTERIOR SURFACE .....	23
4.4.2. Loading the Magazine .....	9	8.4. CLEANING OF THE MAGAZINE.....	24
4.4.3. Assembling the Magazine .....	9	8.5. CLEANING OF THE TRIGGER GUARD .....	24
4.5. UNLOADING THE RIFLE .....	10	8.6. CLEANING OF THE STOCK.....	24
4.6. ADJUSTMENT OF TRIGGER PULL WEIGHT.....	11	8.7. PROTECTION FROM RUST AND REPAIR.....	24
4.7. ADJUSTMENT OF THE COMB.....	12	9. EXPLODED VIEWS AND PARTS LIST.....	25
4.8. ADJUSTMENT OF THE IRON SIGHTS.....	13	GENERAL ASSEMBLY.....	25
4.8.1. Windage Adjustment.....	13	PICATINNY RAIL, REAR SIGHT AND FRONT SIGHT.....	28
4.8.2. Elevation Adjustment .....	14		
5. USING THE RIFLE .....	14		
5.1. CHECKING THE BARREL .....	14		
5.2. LOADING THE RIFLE .....	15		
5.3. FIRING.....	16		
6. DISASSEMBLY AND ASSEMBLY OF THE RIFLE.....	16		
6.1. DISASSEMBLY OF THE RIFLE .....	16		



## 1. ABOUT ATA ARMS

Being architect of ATA Arms and a gifted master Celal YOLLU began to write his story of success in the middle of Anatolia...

in the county of Incesu of Kayseri Province, where he was born in 1942, he realized his skill in mechanics when he was just a child. in Incesu of Kayseri, he achieved a legendary success in disassembling and manufacturing any mechanic device that he saw from scratch. He got over with the firearms that many repairmen could not fix. in 1955, when he was 13 years old, the first signs of his success had already begun to appear. in that year, he built the first single-shot shotgun, which would open him different gates and turn into a story of success, for which he will commit his entire life. However, it was of course impossible to expect the master to be satisfied with only a single shotgun. Therefore, he opened workshop, where he can always create the better and turn his dreams into reality. This initiation and his successful moves were enough to grant him a say in the local market, in a short period of time. Hence, the story of how a humble workshop became a worldwide known firearms brand began in a small county of Anatolia. By 1967, the inn ovative and ambitious personality allowed our founder Celal YOLLU to manufacture the first double-barreled hunting shotgun of Turkey.

Every successful design increased the demand and in parallel with this, the production was also increased. This momentum made it inevitable for our founder to take the decision of

moving to Duzce, the center of the firearms industry in Turkey.

There, he undersigned another success by becoming an industry leader in a short time; he manufactured the first over-under hunting shotgun of Turkey. in parallel with his professional life, Celal YOLLU was occupied with the training of the new generation of gunsmiths, too. His success and vision led him to give an importance to the R&D works, which would provide him a competition power as well.

By 1990, Celal YOLLU, who moved to Istanbul in order to be close to the world market, had almost become a legend as he was acknowledged wherever he visited thanks to the weapons that he manufactured. His ongoing works in İstanbul gave their fruit in a short time and Celal YOLLU pioneered another innovation; he manufactured the first semi-automatic hunting shotgun of Turkey with the brand of Vursan.

Also, becoming a legend and drawing a lot of attention in the sector, VURSAN began to receive partnership offers from the leading companies of the world, and then established a strong partnership by accepting the offer of Beretta Group in 2000.

At the present, ATA Arms is a well-known brand with quality and safety.

ATA Arms continues to its journey of success with same determination and desire under the leadership of the great master's sons; Yavuz YOLLU and Fatih YOLLU.



## 2. INTRODUCTION

**WARNING: This user manual contains important safety information and must be read carefully before using the rifle.**

Please keep a copy of the manual to refer to in the future. If you sell your rifle, please provide the user manual with it. You can also access a copy of this user manual at [www.ataarms.com](http://www.ataarms.com)

## 3. SAFETY RULES

**Please read the following safety rules, before using your rifle.**

Firearms can be dangerous and cause serious injuries and even death. The following safety and security rules outline the user's responsibilities.

- a) Never point your rifle at a person (whether it is empty or loaded). Always handle your rifle as if it were loaded.
- b) Never aim your rifle in a direction, which is unsafe for shooting. Never shoot at hard surfaces or water.
- c) Keep the safety of your rifle on until you are ready to fire (the red warning dot must not be visible).
- d) Keep your finger away from the trigger until ready to fire.
- e) Ensure that the bore and chamber are clean and dry and free from any obstruction
- f) Learn and understand the operating systems and safety features of your rifle. Do not rely on any safety mechanism to replace these safe use procedures.
- g) Keep your weapon out of the reach of children.
- h) Properly maintain your rifle.
- i) Use only factory made ammunitions which are manufactured according to the caliber of the rifle and the specifications of CIP or SAAMI.
- j) Do not use alcoholic beverages, drugs or any medicine that can cause attention deficit before or while using your weapon.
- k) Immediately unload your rifle after use. Do not store your rifle loaded.
- l) Do not make any mechanical changes to your weapon.
- m) Always request professional assistance from a qualified gunsmith for repair.
- n) Ensure that your rifle and ammunition are not used by unqualified persons.
- o) Always store your rifle and ammunition separately.



- p) Ensure that the chamber is empty, while training and checking the functions of your rifle.
- q) Always assume that every rifle is loaded and ready to be fired. Even if you have opened and checked the chamber and ensured that your rifle is empty, always handle your rifle as if it were loaded.
- r) Load your rifle only before using.
- s) Push the safety of your rifle to the safety off position, only when you are ready to fire. Keep the muzzle pointed in a safe direction. Know your target and what lies beyond your target.
- t) Check the area, where you are shooting before each shot. Aim only at targets which you are able to see clearly.
- u) Always use protective glasses and hearing protection, while shooting.

**WARNING: Each rifle has a potential to kill you or another person. Accidents occur because of not complying with the safety rules and of carelessness.**

**WARNING: Firing, unloading, cleaning or maintaining your rifle in a badly ventilated area can expose you to burned gases, solvent solutions and lead. These gases can cause birth defects, permanent damage and other serious injuries. Always maintain your rifle in a well-ventilated environment. Wash your hands after shooting and maintenance.**

**WARNING:**

**Unload your rifle;**

- 1. Before passing through obstacles,**
- 2. Before climbing over obstacles or into your vehicle,**
- 3. Before going into a building.**
- 4. Before laying down your rifle even if it is temporary.**



## 4. BEFORE SHOOTING

### 4.1 INITIAL ASSEMBLY

Your Bolt Action rifle's bolt group will be disassembled inside the case or box. Follow the steps below in order to complete the initial assembly.

- Remove the magazine from the rifle. (Picture-5)
- Ensure that the rifle is unloaded and that the chamber and bore are clean from oil and other debris.
- Push the safety button to the "Safety Off, Ready to Fire" position (Picture 2).
- Place the front part of the bolt assembly group into the rear of the receiver (Picture 1).



Picture 1

- Push the bolt assembly into the receiver. (The click sound indicates the spring loaded bolt stop has entered into its groove in the bolt.)
- Slide the bolt assembly forward until it stops and rotate the bolt handle downwards.
- In this position, the bolt is in the ready to fire position. The rear of the firing pin will protrude from the bolt sleeve when the firing pin is held to the rear by the cocking piece. The red ring around the end of the firing pin signifies the rifle is cocked.

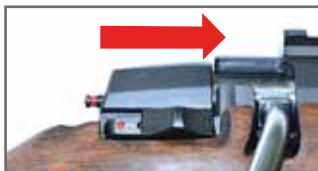
### 4.2. OPERATION OF THE SAFETY BUTTON

The safety has 3 positions. (Picture 2, Picture 3, Picture 4) When the rifle is fully assembled and the bolt handle is rotated into the lowest position, you can move the safety button between the three separate "Safety On Bolt Locked", "Safety On" and "Safety Off, Ready to Fire" positions.



### 4.2.1. Safety Off, Ready to Fire

When the safety button is pushed fully forward (towards the direction of the arrow), the rifle is ready to be fired (This position is indicated when a red dot is visible) (Picture 2).



Picture 2

### 4.2.2. Safety On

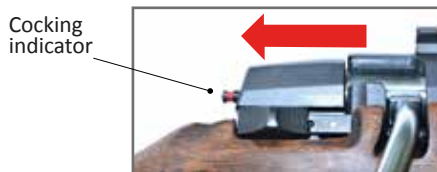
When the safety button is pulled rearward to the middle position, the trigger is blocked and the rifle cannot be fired (This position is indicated when only a white dot is visible) (Picture 3).



Picture 3

### 4.2.3. Safety On and Bolt Locked

When the safety button is pulled back (towards the direction of the arrow) until it stops, while the bolt handle is in the lowest position, the trigger is blocked and the bolt is locked in the receiver. (This position is also indicated with a white dot.)



Picture 4

**WARNING: Always keeping the safety button in the "Safety On" positions will help minimize potential accidents. Do not rely solely on the safety. Practice safe gun handling at all times.**

**WARNING: When your rifle is cocked and ready to be fired, the cocking indicator is behind the bolt assembly with red sign. When you see this indicator, you should move like the rifle is ready to be fired and loaded.**

## 4.3. AMMUNITION

When the safety button is pushed fully forward (towards the direction of the arrow), the rifle is ready to be fired (This position is indicated when a red dot is visible) (Picture 2).

## 4.4. USING THE MAGAZINE

The rifle is equipped with a single row magazine with a total capacity of 3 or 5 cartridges.

### 4.4.1. Removing the Magazine

**WARNING: Ensure the chamber is empty.**

- Slide the safety button to the "Safety On and Bolt Locked" position (Picture 4).
- Press magazine release button in front of the magazine well with index finger and pull the magazine out while pressing to magazine release button (Picture 5).



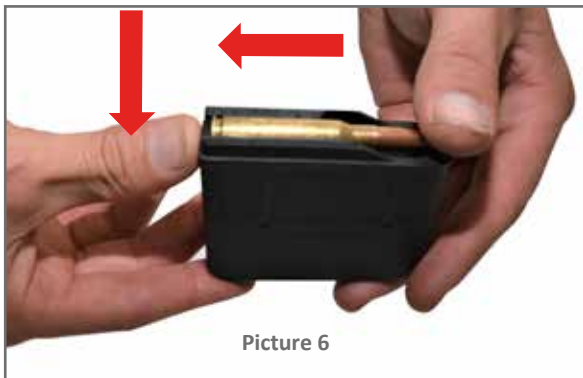
Picture 5





## 4.4.2. Loading the Magazine

- Crawl the cartridge onto the magazine follower by bearing it to magazine lips (Picture 6). To feed next round, press on existing cartridge and repeat the process.



- Repeat this process until the magazine receives the last cartridge. If necessary, position the cartridges by pushing from the front towards the back so that the rear of the cartridge fits against the magazine's body.

## 4.4.3. Assembling the Magazine

**WARNING: Ensure that the chamber is empty and clean from oil and other foreign debris.**

- Ensure the bolt is fully seated in the receiver and the bolt handle is in the lowest position.
- Push the safety button to the "Safety On and Bolt Locked" position (Picture 4).
- Place the magazine into the magazine well. Press on the bottom of the magazine until the magazine seats into the top button sockets and a click sound is heard (Picture 7).



## 4.5. UNLOADING THE RIFLE

- Always point the muzzle in a safe direction and keep your finger out of the trigger guard. Push the safety button to the "Safety On" position (Picture 3).
- Lift the bolt handle and pull the bolt back until it stops (Picture 8).



Picture 8

- If there was a fired or unfired cartridge in the chamber pulling the bolt rearward should have extracted the cartridge from the chamber and ejected it from the receiver. In order to be sure that there is no loaded or empty cartridge in the chamber, check the chamber visually and by hand.
- If there is a loaded cartridge or an empty shell remaining in the chamber, remove the bolt assembly from the rifle (See Section 6.1.1) and bring your rifle to a qualified gunsmith. (Until your rifle is repaired, do not place the bolt assembly back into the receiver.)
- If there are unfired cartridges in the magazine, remove the magazine from the rifle (Picture 9).



Picture 9



- While pressing on the cartridges with your finger push the cartridge, on the top, from back to front and release them from the magazine, (Picture 10). (Be careful that the cartridges, removed from the magazine, do not fall on the ground. Dropped cartridges can be damaged or get dirty. This could cause problems in feeding cartridges from the magazine or into the chamber.)



Picture 10

- Visually and manually inspect the chamber again. Push the bolt assembly forward and rotate the bolt handle down (Picture 11). Finally, put the magazine back to its place.



Picture 11

**WARNING:** Check the chamber and magazine at least "twice" before sliding the bolt assembly forward and closing it. Otherwise, any cartridge in the chamber can be fired.

## 4.6. ADJUSTMENT OF TRIGGER PULL WEIGHT

**WARNING:** Ensure the chamber is empty.

- Push the safety button to the "Safety On" position (Picture 3).
- While positioning your rifle, ensure that you are pointing the muzzle of the rifle in a safe direction.
- Remove the magazine from the rifle (Picture 5). Cock your rifle as moving the bolt backward then forward. (Picture 12)



Picture 12

- Turn the safety button to the "Safety Off, Ready to Fire" position (Picture 2).

**WARNING: Ensure the chamber is empty.**

- To increase the trigger, pull weight, turn the screw, located inside the trigger guard in front of the trigger, counter-clockwise with the 2.5mm hex key (Picture13). To decrease the trigger, pull weight, turn the screw clockwise. You can adjust the trigger pull weight from 800 gr (1,7lbs) to 1600 gr (3,5lbs).



Picture 13



## 4.7. ADJUSTMENT OF THE COMB

- Push the safety button to the "Safety On and Bolt Locked" position. (Picture 4).
- While positioning your rifle, ensure that you are pointing the muzzle of the rifle in a safe direction.
- While using either a scope or iron sights, push the cheek piece button to lift up stock's comb (Picture 14).



Picture 14

- If you release the cheek piece button, the comb stays open and locks into place (Picture 15).



Picture 15

- To close the comb, push back the cheek piece button and press the comb downwards slightly (Picture 16).



Picture 16

**WARNING: Do not force the comb height beyond its limit. If you force the comb further, you can damage the adjustment parts.**

## 4.8. ADJUSTMENT OF THE IRON SIGHTS

### 4.8.1. Windage Adjustment

- While positioning your rifle, ensure that you are pointing the muzzle in a safe direction.
- Rifles which have iron sights can be adjusted for windage by loosening the screw located in front of the rear sight counter-clockwise with a flathead screw driver. Once loosened the rear sight can be moved right or left as desired. (Picture 17)



Picture 17

- In order to move the bullets' point of impact to the right, push the rear sight to right. To move the point of impact to the left, move the rear sight to the left. After adjusting it for the desired position, tighten the screw with a flathead screwdriver.



## 4.8.2. Elevation Adjustment

- In order to move the bullets' point of impact down, the front sight is moved upwards by turning the front sight screw counter clockwise, with a 2.5mm hex key. In order to move the bullets point of impact up, the front sight screw is turned clockwise with a 2.5mm hex key to lower the sight. (Picture 18)



Picture 18

## 5. USING THE RIFLE

### 5.1. CHECKING THE BARREL

**WARNING: Never check if the barrel of your rifle is blocked or needs cleaning by firing it. If the barrel is even partially plugged with water, dirt, oil or other debris, it can cause extreme pressure, and this situation can cause serious injuries and even death.**

- Always check the barrel of your rifle for obstructions, oil and other debris, before assembling and prior to firing the rifle.
- While checking the rifle, always point the muzzle in a safe direction and keep your finger out of the trigger guard.
- Push the safety button to the "Safety On" position (Picture3). Unload the rifle (Section 4.5). Remove the bolt assembly from the rifle (Section 6.1.1). Visibly inspect the bore. Look from the back of the receiver through to the muzzle.
- If the barrel of your rifle is plugged or contains oil or any other debris, you will need to clean the barrel with a barrel cleaning kit. Always clean the barrel by passing the rod through from the receiver towards the muzzle. Never pass the rod through the barrel from the muzzle end as this can damage the crown of the barrel and degrade accuracy.
- If there is any obstruction or debris which cannot be easily removed with the barrel cleaning kit, you should ask for assistance from a qualified gunsmith.



## 5.2. LOADING THE RIFLE

**WARNING: Using of incorrect or improperly loaded ammunition can damage your rifle due to extreme pressure. This can result in serious injuries or fatal accidents. Therefore, only use factory ammunition loaded to CIP or SAAMI specifications.**

**WARNING: Using a cartridge of the wrong caliber or type for your rifle can result in damage or can cause serious injuries to the user or bystanders. When you are firing, be certain you are using only ammunition, of the correct caliber and type.**

- Always point the muzzle in a safe direction and keep your finger out of the trigger guard.
- When the bolt assembly is installed in the rifle, keep the safety button in the "Safety On and Bolt Locked" position until ready to fire. (Picture 19).



Picture 19

- Load your magazine. (Picture 6) Place the loaded magazine in the rifle. (Picture 7)
- Get into position to fire your rifle. Be sure to clearly see your target. Be certain your target and what is beyond it are in a safe direction.
- Slide the safety button from the "Safety On and Bolt Locked" position to the "Safety On" position (Picture3).
- Pull up on the bolt handle rotating it upwards until it stops. Pull it fully rearward until it stops against the bolt stop. Push the bolt handle forward from its most rearward position. As you continue to push the bolt forward the bolt will push the cartridge on top of the magazine into the chamber.
- Slide the bolt assembly forward until it stops, then rotate the bolt handle down until it stops. Your rifle is loaded and ready for firing.
- Until you are aiming at a safe target keep your finger away from the trigger. Keep the safety button in the "Safety On and Bolt Locked" position.

**WARNING: When cycling the bolt for repeated rapid firing, remember that the bolt must be pulled rearward until it stops against the bolt stop and then forward and down fully in order to load the chamber correctly.**



## 5.3. FIRING

**WARNING:** Never touch the trigger unless you have identified and taken aim at a safe target. Unintentional firing can cause serious injury or death or damage to unintended targets.

**WARNING:** If the safety button is not in either the "Safety On" or "Safety On and Bolt Locked" position, the rifle is ready to fire. Do not rely solely on the safety. Do not touch the trigger until you are ready to fire.

**WARNING:** When your rifle is cocked and ready to be fired, the cocking indicator is behind the bolt assembly with red sign. When you see this indicator, you should move like the rifle is ready to be fired and loaded.

- Always point the muzzle in a safe direction and keep your finger off the trigger and out of the trigger guard.
- Place the recoil pad of the stock on your shoulder. With the scope or the iron sights safely and carefully aim at the target, which you recognize clearly.
- Slide the safety button of the rifle, which is loaded with a cartridge, of the correct caliber and type, to the "Off Safe Ready to Fire" position (Picture 2).
- Pull the trigger by applying an increasing stable pressure.

## 6. DISASSEMBLY AND ASSEMBLY OF THE RIFLE

### 6.1. DISASSEMBLY OF THE RIFLE

- Before starting to disassemble your rifle, familiarize yourself with the general appearance of the rifle and location of the parts by examining the assembly diagrams and parts lists.
- Slide the safety button to the "Safety On" position (Picture 3).
- Unload the rifle (Section 4.5).
- Remove the magazine from the rifle (Section 4.4.1).
- Rotate the bolt handle upwards and pull it back until the bolt assembly stops against the bolt stop (Picture 8).

**WARNING:** Check the cartridge chamber visually and by hand until you are sure that there are no cartridges in the rifle.

#### 6.1.1. Removing the Bolt Assembly from the Rifle

- Rotate the bolt handle up until it stops and pull it rearward until the bolt stops against the bolt stop (Picture 20).





Picture 20

- Press the bolt stop release button (Picture 21) and keep pressing until the bolt assembly is completely removed from the receiver (Picture 22).



Picture 21



Picture 22

## 6.1.2. Detailed Disassembly of Bolt Assembly

**WARNING:** More detailed disassembly of the rifle parts is not recommended. If more than one part needs to be disassembled from each other, please receive help from a certified gunsmith.

- Push the firing pin assembly inside the bolt body as can be seen in Picture 23.



Picture 23

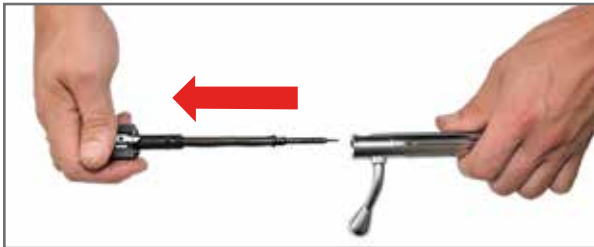
- While continuing to push on the rear of the firing pin assembly, move the firing pin assembly 180 degrees clockwise by holding the bolt stable, until the firing pin assembly is free from the bolt body (Picture 24).

### 6.1.3. Disassembly of Stock and Trigger Guard



Picture 24

- Separate the firing pin assembly from the bolt body by pulling it rearward (Picture 25).



Picture 25



Picture 26

- Unscrew the front and rear receiver screws counter clockwise using a 5mm hex wrench (Picture 26).



Picture 27

- Remove the stock by pulling it from the barrel and receiver (Picture 27).



Picture 28

- Remove the receiver screw pillar from the stock by firmly pushing them (Picture 28).



Picture 29

- Remove the trigger guard by pulling the front end outward from the stock (Picture 29). Then pull the rear part of the trigger guard outward until it is free of the stock.

## 6.2. ASSEMBLY OF THE RIFLE

### 6.2.1. Detailed Assembly of The Bolt Assembly

- Slide the firing pin assembly into the bolt body (Picture 30).



Picture 30

- Push the firing pin assembly inward while holding the bolt stable. While pushing firmly on the rear of the firing pin assembly, rotate the firing pin assembly 180 degrees counter clockwise until it seats into the bolt body and makes a "click" sound (Picture 31).



Picture 31

## 6.2.2. Assembly of Stock and Trigger Guard



Picture 32

- Place the trigger guard into the stock by first tipping the rear portion of the trigger guard and into the stock and then tipping the front part down into the stock (Picture 34) and place the receiver screw pillar to the stock



Picture 33

- Carefully position the receiver and barrel in the stock (Picture 33).



Picture 34

- Tighten the front and rear receiver screws to the trigger guard with a 5mm hex key (Picture 34). It is recommended that these screws be torqued to 7Nm or 62 inch pounds of torque.

## 6.2.3. Installing the Bolt Assembly

**WARNING:** Ensure that the chamber is empty and clean from oil and other foreign matter.

- Ensure that the chamber is empty and clean from oil and other foreign debris.
- Slide the safety button to the "Safety On" position (Picture 3).
- Insert the front of the bolt assembly into the rear of the receiver with the bolt handle on the right side of the receiver (Picture 35).



Picture 35

- Continue to slide the bolt assembly forward into the receiver. The click sound indicates the bolt stop entered into its groove in the bolt body (Picture 36).



Picture 36

- Slide the bolt assembly forward until it stops and rotate the bolt handle downwards.
- At the position which the bolt handle cannot move down further, the bolt assembly is closed and ready to fire (Picture 36).



Picture 37

**WARNING:** While mounting the bolt assembly to the rifle, make sure that the magazine is not attached to the rifle (Picture 37).

## 7. LENGTH OF PULL ADJUSTMENT

- Remove the screws on the recoil pad by turning them counter clockwise and then detach the recoil pad (Picture 38).



Picture 38

- There is one pre-installed and one spare recoil pad extension for your rifle. Spacer length is 5mm (13/64 inches). (Picture 39)



Picture 39

- Either you can remove the pre-installed spacer to decrease your Length of pull, or put spare one into its place to increase your length of pull (Picture 40). Tighten 2 screws by turning them clockwise.



Picture 40

## 8. CLEANING OF THE RIFLE

In order to ensure that your rifle works safely and fulfills its functions completely, protect it against powder residues, dirt, dust and humidity after each use or prior to long-term storage. Always clean and oil it so as to prevent corrosion. During cleaning, check that the rifle components work in accordance with these instructions.

The basic cleaning materials include a ramrod of appropriate size, barrel cleaning brush and soft cloth patches, small soft bristle brush, gun cleaning solvent, quality gun oils and lint free rags.

Use a threaded ramrod to which you can attach jags and brushes to aid in cleaning the bore of your rifle.

In order to clean your rifle properly, you must first disassemble the rifle. (Section 6)

**CAUTION: Apply solvent solutions and oils in accordance with manufactures instructions. Do not spray solvents or oils on ammunition. Solvent solutions or oils can degrade the primer and gunpowder and this can prevent the ignition of the ammunition.**

**However, If there is sufficient energy to push the bullet into the barrel but not through it, this obstacle would cause subsequent fired rounds to damage the rifle and cause serious injuries to the shooter and any bystanders.**



## 8.1. CLEANING OF THE BARREL

- Remove the bolt assembly from the rifle (Section 6.1.1).
- Attach the barrel cleaning brush of appropriate size to the ramrod and add solvent solution on the brush.
- Push the ramrod with brush a couple of times from end to end up to the muzzle starting from the chamber. Exit the brush from the muzzle before pulling the brush back through the barrel.
- Place a clean patch on the tip of the ramrod and starting from the chamber end of the barrel push the patch through the barrel until it exits the muzzle. Then remove the dirty patch from the ramrod and pull the rod back out of the chamber.
- Repeat the previous step until a clean patch comes out of the muzzle.
- Clean any solution residue on the tip of the muzzle by using a clean piece of rag.
- Using a good quality gun oil place a lightly oiled patch on the tip of the ramrod, and insert the ramrod from the chamber and push it through the barrel until it comes out of the muzzle. Remove the oiled rag from the tip of the ramrod and pull the ramrod through the barrel until it comes out of the receiver.

## 8.2. CLEANING OF THE BOLT ASSEMBLY

- Disassemble the Bolt Assembly. (Section 6.1.1)
- Clean all the pieces in the bolt assembly with a solvent solution and later dry it with a clean patch or a lint free rag. You can clean the unreachable areas of the bolt assembly and firing pin spring by using a small brush.
- Oil the assembly by using a mild coating of gun oil.

## 8.3. CLEANING OF THE EXTERIOR SURFACE

- Clean all the surfaces you can reach on the barrel and receiver with a clean lint free rag soaked in solvent solution. (A clean toothbrush will help you clean the parts and corners you cannot reach with the rag.)
- Clean off all the solvent solution you applied with a clean and dry lint free rag.
- With good quality gun oil on a clean lint free rag apply it lightly on the barrel and outer surfaces of the receiver by making sure no excess oil is cumulated.



## 8.4. CLEANING OF THE MAGAZINE

- Apply solvent solution on the outer surface of the magazine and magazine follower with a lint free clean rag and dry it with a clean rag immediately after.
- With good quality gun oil on a clean piece of rag apply it lightly on all the surfaces of the magazine you can reach

## 8.5. CLEANING OF THE TRIGGER GUARD

Apply solvent solution on all surfaces of the trigger guard including the inside of the magazine well with a clean lint free rag. Dry it with a clean dry lint free rag immediately after.

## 8.6. CLEANING OF THE STOCK

Generally, it is sufficient to wipe the stock with a clean and dry rag. However, if you hunted or shot in rainy weather, you need to clean the stock completely.

## 8.7. PROTECTION FROM RUST AND REPAIR

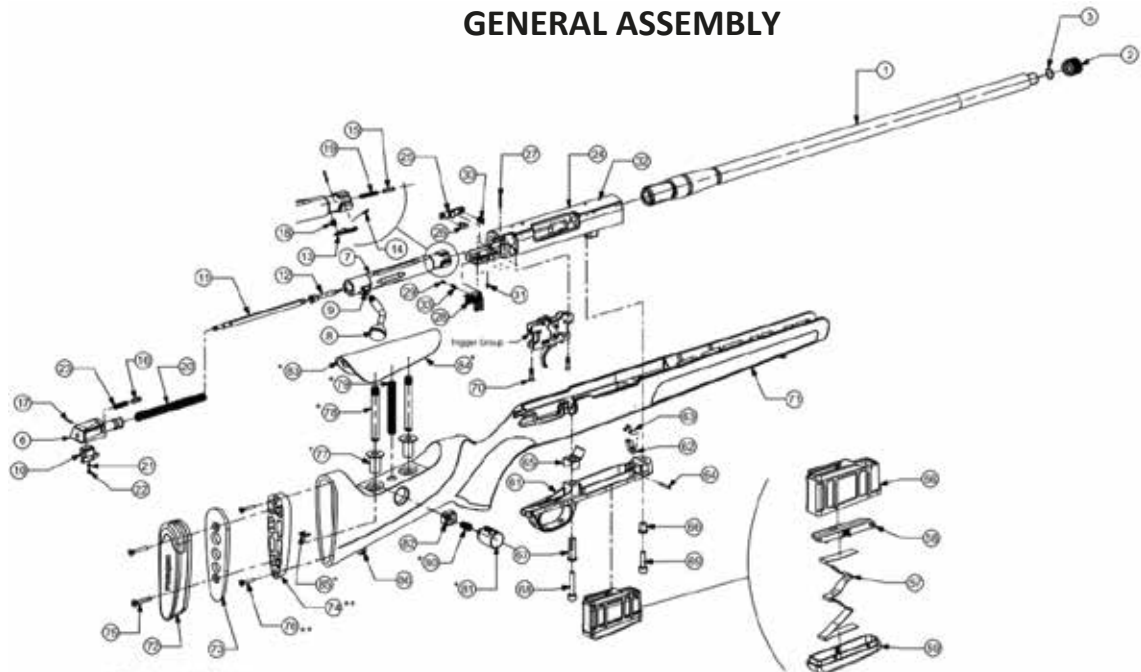
During normal rifle maintenance, after cleaning, leave your rifle in a room temperature room from 2-3 hours so as to let all metal surfaces dry. After drying, apply plenty of high quality rifle oil on all the metal parts of your rifle and clean the excess oil with a clean and dry rag. If there is rust on the surface, its cause is due to extreme humidity. You can clean the rust on the metal surfaces by using a stiff plastic cleaning brush and a solvent solution. If the rust is not cleaned in this way; you can get assistance from a qualified gunsmith. In order to prevent irreparable rust damage to your rifle, you must take immediate precautions. Seek help from a qualified gunsmith.





## 9. EXPLODED VIEWS AND PARTS LIST

### GENERAL ASSEMBLY



\*: On Adjustable Model  
\*\*: On Synthetic Model

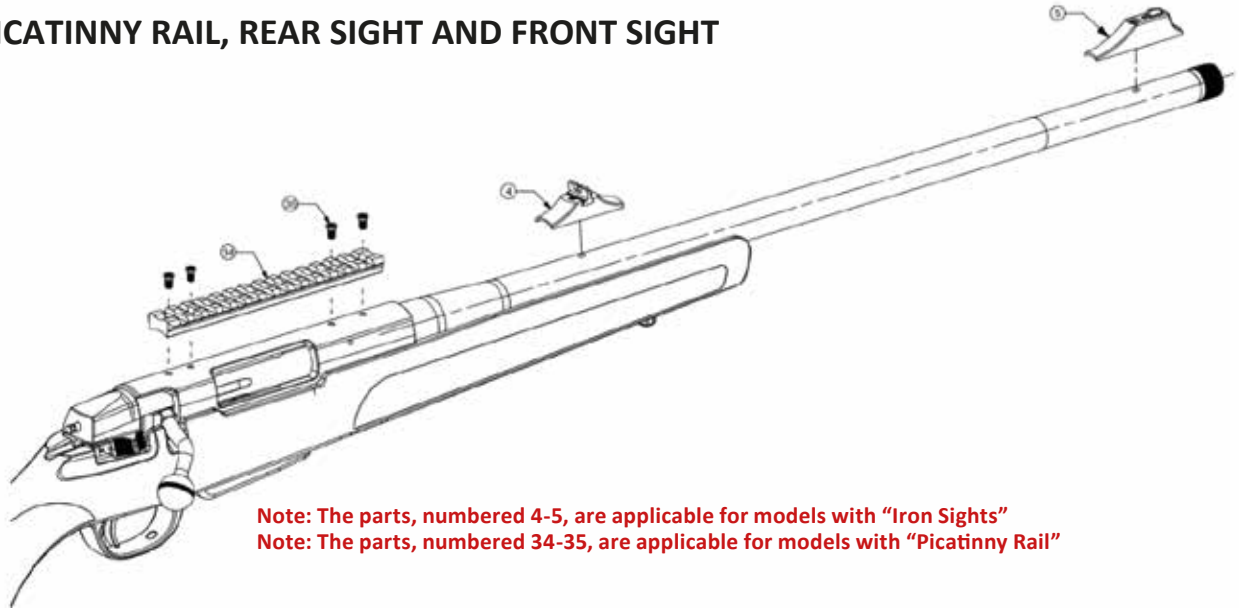


NO	PART NAME	QUANTITY	NO	PART NAME	QUANTITY
1	Barrel	1	20	Firing Pin Spring	1
2	Thread Protector	1	21	M3x5 ISO 4027 (DIN 914) Set Screw	1
3	O-ring	1	22	M3x4 ISO 4026 (DIN 913) Set Screw	1
6	Bolt Cap Complete	1	23	Bolt Retainer Spring	1
7	Bolt	1	24	Receiver	1
8	Bolt Handle	1	25	Bolt Release Lever	1
9	Ø2x8 (ISO-8748) Pin	1	26	Bolt Release	1
10	Firing Pin Lug	1	27	Ø2x14 (ISO-8748)	1
11	Firing Pin Spring Rod	1	28	Safety Button	1
12	Firing Pin Front Part	1	29	Safety Ratchet Pin	1
13	Extractor	1	30	Bolt Release Spring	1
14	Ø2x10 (ISO-8748) Pin	2	31	Ø2x6 (ISO-8748) Pin	1
15	Ejector	1	32	M3.5x3.5 ISO 4026 (DIN 913) Set Screw	4
16	Bolt Retainer Pin	1	33	Safety Ratched Spring	1
17	Ø2x8 (ISO-8748) Pin	1	56	Magazine Case	1
18	Extractor Spring	1	57	Magazine Spring	1
19	Ejector Spring	1	58	Magazine Follower	1



NO	PART NAME	QUANTITY	NO	PART NAME	QUANTITY
59	Magazine Bottom Short Plate	1	73	Recoil Pad Extension	2
60	Magazine Bottom Long Plate	1	74	Recoil Pad Plate	1
61	Magazine Well	1	75	M4X25 (DIN-7505) Screw	2
62	Magazine Release	1	76	M3.5X20 (DIN-7505) Screw	2
63	Magazine Release Spring	1	77	Guiding Rod Bushing	2
64	ISO 8734 Ø2X18 Pin	1	78	Cheek Piece Guiding Rod	2
65	Magazine Support Spring	1	79	Cheek Piece Threaded Rod	1
66	Magazine Well Short Rod	1	80	Cheek Piece Spring	1
67	Magazine Well Long Rod	1	81	Cheek Piece Button	1
68	M6X30 ISO-4762 (DIN912) Bolt	1	82	Cheek Piece Spring Guide	1
69	M6X20 ISO-4762 (DIN912) Bolt	1	83	Cheek Piece	1
70	M3X13 ISO-4762 (DIN912) Bolt	2	84	Cheek Piece Nut	3
71	Stock	1	85	DIN6799 Ø6 Snap Ring	1
72	Recoil Pad	1	86	Swivel Stud	2

## PICATINNY RAIL, REAR SIGHT AND FRONT SIGHT



**Note: The parts, numbered 4-5, are applicable for models with "Iron Sights"**

**Note: The parts, numbered 34-35, are applicable for models with "Picatinny Rail"**

NO	PART NAME	QUANTITY	NO	PART NAME	QUANTITY
4	Rear Sight Assembly	1	34	Picatinny Rail	1
5	Front Sight Assembly	1	35	Picatinny Rail Screw	4



## NOTES

---

---

---

---

---

---

---

---

---

---

---

---

---

---

---

---

---



**Ata Silah San. A.Ş.**

Alemdag Mah. Elmalı Sk. No:5/A Cekmekoy- Istanbul

T: +90 216 466 45 68 F: +90 216 466 45 71

ata@ataarms.com



ataarms.com.tr



ataarmstr



ataarms



ataarms.com