



LSG100, LSG200, LSG300, LSG400

Speed Spin reels are designed to be **Lighter, Faster and Stronger**.
Driven by innovation – Fueled with Passion
Feel the Difference!



Reel Specifications

Model	Weight (oz.)	Gear Ratio	Line Capacity (yd./lb.)	IPT
LSG100	8.1	5.2:1	120/6	22"
LSG200	8.3	5.2:1	120/8	26"
LSG300	9.3	5.2:1	145/10	31"
LSG400	9.8	5.2:1	185/12	33"



- FEATURES:**
- Rugged lightweight graphite body
 - 8-bearing system with 7-ball bearings and Zero-Reverse one-way clutch bearing
 - Double anodized skeletal knurled aluminum spool
 - Graphite skeletal speed rotor
 - Aluminum folding handle with Lew's® Performance handle knob
 - Speed Lube™ for exceptional smoothness and uninterrupted performance in all weather conditions
 - Thin compact gear box
 - Adjustable for right or left hand retrieve



Maintenance and Care

While applying lubricant to your Laser Speed Spin® reel, avoid using multi-purpose oil. Use lightweight silicone based oils or greases made for fishing reels. Apply oil to all bearings and main shaft. Apply grease to the bushings, pinion gear, and drive gear.

After usage your reel should be inspected for dirt or sand and cleaned if excessive buildup is present. If your reel has come in contact with saltwater it is important to flush all parts with water, dry and re-lubricate your reel. Through diligent cleaning and maintenance your Lew's® reel will provide you with years of reliability and sound performance.

For professional cleaning and maintenance send your reel postage prepaid to:

LEW'S® 3031 N. Martin, Springfield, MO 65803

877-470-5397 lews.com

One Year Limited Warranty

Lew's® Warrants its products¹ to withstand normal² use for the purpose designed and intended when manufactured for a period of one (1) year from the original retail sale date to the original retail consumer. Lew's® will at its option repair or replace³ Lew's® products when required for the warranty period and return⁴ the product to the owner at no additional⁵ cost to the owner.

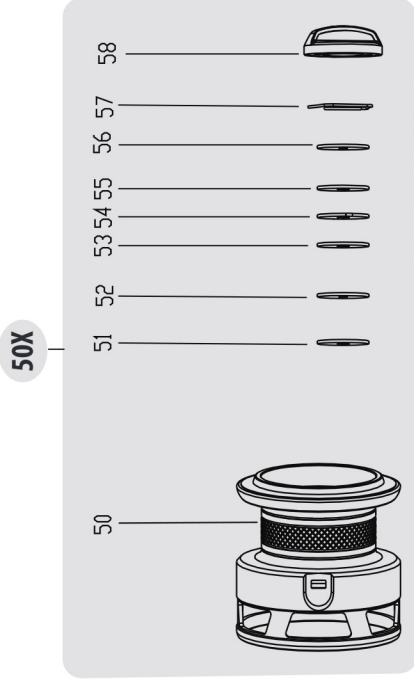
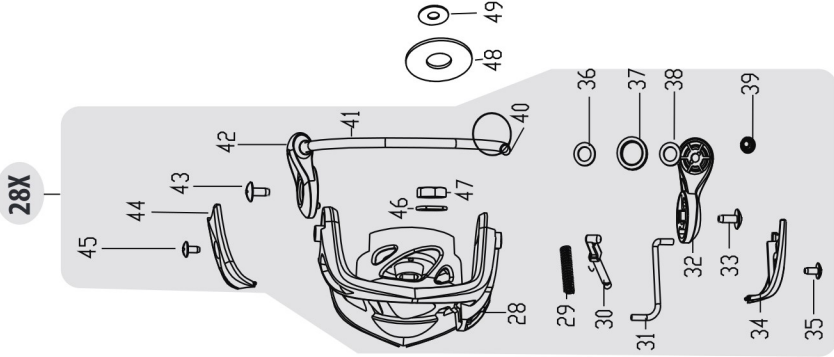
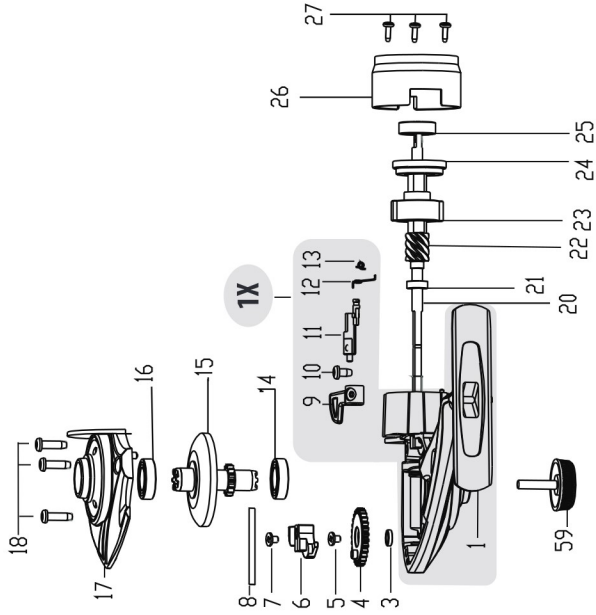
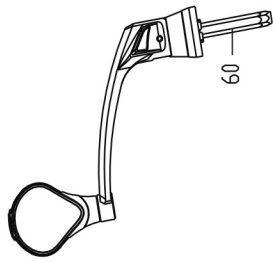
¹Numerous products have been manufactured under variations of the Lew's® name and under the Lew's® Logo by multiple businesses over the past 50 years. This warranty is specifically for products manufactured on behalf of Lew's® of Springfield, Missouri USA since January 1, 2010. Lew's® products manufactured by or on behalf of other entities prior to January 1, 2010 are not covered by this warranty. In all circumstances, this Warranty is Limited in Value to the original retail value of the product and is limited to actual damage to the Lew's® product and only the Lew's® product. ²Loss of a product, and loss/damage of a product or parts due to the attempted repair or servicing of a Lew's® product by any person or business other than Lew's® or Lew's® Authorized Warranty Service Agent, and damage caused by or resulting from abuse, misuse, lack of recommended maintenance, accident, acts of God, and shipping damages occurring in transit to Lew's® or Lew's® Authorized Agent are outside the scope of Lew's® Limited Warranty and will be repaired through Lew's® after warranty services at the expense of the consumer. ³Any products replaced by Lew's® will be new or remanufactured by a Lew's® Authorized Agent with the same or next model upgrade product. ⁴Lew's® will return warranted products to the consumer by reasonable means as determined by Lew's®. ⁵Express or expedited services are the responsibility of the consumer as is sending the product to Lew's® or Lew's® Authorized Agent, for Warranty Service. Lew's® and Lew's® Service Agents as authorized by Lew's® are the sole agents authorized to repair or replace Lew's® products under the terms of this warranty. Only written changes by an officer of Lew's® can alter the terms or conditions of this warranty.

This warranty gives you specific legal rights including additional rights extended by some states which do not allow certain exclusions and limitations. Any action brought against Lew's® for the purpose of settling a warranty dispute shall be brought and litigated in the State of Missouri, County of Greene.

Lew's® 3031 N. Martin, Springfield, MO 65803 Phone 877-470-5397 FAX: 1-417-981-5387

LEW'S[®] SPEED SPIN[®]

LSG100, LSG200, LSG300, LSG400



For professional cleaning and maintenance send your reel postage prepaid to:
 Lew's 3031 N. Martin Ave.
 Springfield, MO 65803
 Phone: 877-470-5397
 FAX: 1-417-881-5387
 lews.com



KEY NO.	PART NAMES	KEY NO.	PART NAMES	KEY NO.	PART NAMES	KEY NO.	PART NAMES
1	FRAME	24	BUSHING	45	SCREW	55	LINE WASHER
1X	FRAME ASSEMBLY	25	BALL BEARING	46	WASHER	56	DRAG WASHER
3	BALL BEARING	26	ONE-WAY CLUTCH FIXED PLATED	47	ROTOR NUT	57	RING
4	OSCILLATION GEAR	27	SCREW	48	CLICK GEAR	58	DRAG KNOB
5	SCREW	28	ROTOR	49	WASHER	59	HANDLE CAP
6	SLIDE	28X	ROTOR HEAD ASSEMBLY	50	SPOOL	60	HANDLE ASSEMBLY WITH 2-BALL BEARINGS
7	SCREW	29	SPRING	50X	SPOOL ASSEMBLY		
8	SLIDE GUIDE PIN	30	BAIL ARM SUPPORT PIN	51	LINE WASHER		
9	ANTI-REVERSE BUTTON	31	KICK LEVER	52	DRAG WASHER		
10	SCREW	32	BAIL ARM	53	LINE WASHER		
11	ANTI-REVERSE	33	SCREW	54	DRAG WASHER		
		34	BAIL ARM COVER				
		35	SCREW				
		36	BUSHER				
		37	LINE ROLLER				
		38	BALL BEARING				
		39	SCREW				
		40	BAIL SLIDER				
		41	BAIL ASSEMBLY				
		42	BAIL HOLDER				
		43	SCREW				
		44	BAIL HOLDER COVER				
		45	SCREW				
		46	WASHER				
		47	ROTOR NUT				
		48	CLICK GEAR				
		49	WASHER				
		50	SPOOL				
		50X	SPOOL ASSEMBLY				
		51	LINE WASHER				
		52	DRAG WASHER				
		53	LINE WASHER				
		54	DRAG WASHER				
		55	LINE WASHER				
		56	DRAG WASHER				
		57	RING				
		58	DRAG KNOB				
		59	HANDLE CAP				
		60	HANDLE ASSEMBLY WITH 2-BALL BEARINGS				