

SIGSAUER®



SIG SL™ SERIES SUPPRESSORS

OPERATOR'S MANUAL: HANDLING & SAFETY INSTRUCTIONS



WARNING: READ THIS MANUAL AND THE OPERATOR'S MANUAL FOR THE HOST FIREARM IN THEIR ENTIRETY BEFORE OPERATING THIS SUPPRESSOR. FAILURE TO FOLLOW THE INSTRUCTIONS CONTAINED IN THESE MANUALS MAY RESULT IN DEATH, SERIOUS BODILY INJURY AND OR DAMAGE TO THE SUPPRESSOR AND THE HOST FIREARM.



WARNINGS

1.0 Safety Warnings

Read this entire manual thoroughly and carefully prior to using this SIG SAUER suppressor.

The warnings in this operator's manual are important. By understanding the dangers inherent in the use of any firearm and by taking the precautions described in this manual, you can experience a higher level of safety in the use of your suppressor. Failure to heed any of these warnings may result in serious injury or death to you or others as well as severe damage to the suppressor, host firearm or other property.

As a valued SIG SAUER customer, we encourage you to visit www.sigsauer.com. There, you will find links to product information and updates, merchandise promotions, and educational videos that will be of interest to you as an owner of SIG SAUER products.

SIG SAUER suppressors are designed to function reliably with proper care and knowledgeable use. You must understand the safe operation and use of your SIG SAUER suppressor. Carefully read and follow these directions. Do not use the suppressor unless you fully understand these instructions and the safe operation of your host firearm.

Do not attempt to install the suppressor onto a firearm that has not been both visually and physically cleared of all ammunition.

During normal operation suppressors become hot enough to produce severe burns on unprotected skin, damage to non heat resistant materials, and may ignite flammable materials or liquids. Always wear heat resistant gloves or mitts when handling suppressors after firing. Do not place a suppressor or host weapon on a surface that can be damaged or ignited by hot metal after firing.

Alterations

This SIG SAUER SL Series suppressor was designed to function properly in its original condition. Unauthorized alterations can make it unsafe. Do not alter any part or add or substitute any parts of this suppressor. Do not add any substance such as water, oil, grease, or wire pulling gel into the suppressor.

BATFE Warning

All NFA Rules and regulations apply to this suppressor. It is unlawful to change the overall length of this suppressor by adding baffles or any other component that would increase the overall length of the suppressor beyond the original length as shipped from SIG SAUER.

Hot Surface

Never touch the suppressor when hot. Failure to comply may result in severe burns to unprotected skin. Seek immediate medical attention if injury occurs.



WARNINGS

1.0 Safety Warnings - Continued

Liability

This product is classified as a suppressor and is sold by SIG SAUER with the specific understanding that we shall not be responsible in any manner whatsoever for malfunctioning of the suppressor, host firearm, physical injury, or property damage resulting in whole or in part from:

- Criminal or negligent discharge
- Improper, careless, or abusive handling
- Unauthorized modifications or parts replacement
- Defective, improper, hand-loaded, or reloaded ammunition
- Corrosion
- Neglect
- Other influences beyond our direct and immediate control

This limitation applies regardless of whether liability is asserted on the basis of contract, negligence, or strict liability (including any failure to warn). Under no circumstance shall SIG SAUER, Inc. be liable for incidental or consequential damages, such as loss of use of property, commercial loss, and loss of earnings or profits.

THE BASIC RULES OF SAFE FIREARMS HANDLING

1. ALWAYS treat every firearm as if it were loaded.
2. ALWAYS be sure that the barrel is clear of any obstruction.
3. ALWAYS be sure of your backstop, what lies beyond, and the safety of bystanders before you shoot.
4. ALWAYS use clean, dry, original factory-made ammunition of the proper type and caliber for your firearm.
5. ALWAYS wear ear protection and safety glasses when shooting.
6. ALWAYS carry your firearm so that you can control the direction of the muzzle if you fall or stumble.
7. NEVER shoot at a flat surface or water.
8. DO NOT leave an unattended firearm loaded. Firearms and ammunition should be stored separately, locked if possible, beyond the reach of children, careless adults, and unauthorized users.
9. NEVER allow your firearm to be used by anyone who has not read and understood this operator's manual.
10. DO NOT point any firearm, loaded or unloaded, at any undesired target.
11. NEVER discharge your firearm near an animal unless the animal is trained to accept the noise: an animal's startled reaction could injure it or cause an accident.
12. NEVER drink alcoholic beverages or use drugs before or during shooting, as your vision and judgment could be seriously impaired, making your firearm handling unsafe.



WARNINGS

1.1 Eye And Ear Protection



Always wear safety glasses that meet the requirements of American National Standards Institute (ANSI) z87.1 and ear plugs and “ earmuff ” type protectors whenever you are shooting. Always make certain that persons close to you are similarly protected. Unprotected eyes may be injured by powder, gas, carbon residue, lubricant, metallic particles, or similar debris that may emanate occasionally from any firearm in normal use. Without ear protection, repeated exposure to shooting noise may lead to cumulative, permanent hearing loss.

1.2 Ammunition

The use of reloaded, “re-manufactured”, hand-loaded, or other nonstandard ammunition voids all warranties. Reloading is a science and improperly loaded ammunition can be extremely dangerous. Severe damage to the suppressor and serious injury to the shooter or to others may result. Always use ammunition that complies with the industry performance standards established by the Sporting Arms and Ammunition Manufacturers’ Institute, Inc.(SAAMI) or ammunition manufactured to U.S. military specifications.

SIG SAUER, Inc., specifically disclaims responsibility for any damage or injury whatsoever occurring in connection with, or as a result of, the use with any SIG SAUER suppressor of faulty, non-standard, “re-manufactured”, hand-loaded (reloaded) ammunition, or cartridges other than those for which the suppressor was originally manufactured.

Do not fire non-jacketed, pre-fragmented (frangible), multi-projectile, tracer or shot cartridges through SIG SAUER centerfire pistol or rifle suppressors. Firing anything but jacketed projectiles manufactured to SAAMI specification through centerfire suppressors may result in a fragment hazard and or damage to the suppressor and or host firearm.

1.3 Baffle Strike

A sudden degradation in accuracy or the appearance of a tumbled bullet impact on target may indicate a baffle or end cap strike.

If you suspect the suppressor has suffered a baffle or end cap strike immediately stop shooting, clear and unload the firearm:

- Inspect the suppressor for tightness to the barrel.
- Inspect the end cap for evidence of a strike.
- Disassemble the suppressor and inspect the components for signs of a strike.

If there is damage or suspected damage contact customer service for repair. Death, serious injury, and damage can result from shooting a suppressor with a known baffle strike. Always wear shooting glasses and hearing protectors. Improper ammunition destroys firearms.



WARNINGS



WARNING: CANCER AND REPRODUCTIVE HARM—www.P65warnings.ca.gov



DISCHARGING FIREARMS IN POORLY VENTILATED AREAS, CLEANING FIREARMS, OR HANDLING AMMUNITION MAY RESULT IN EXPOSURE TO LEAD AND OTHER SUBSTANCES KNOWN TO CAUSE BIRTH DEFECTS, REPRODUCTIVE HARM, AND OTHER SERIOUS PHYSICAL INJURY. MAINTAIN ADEQUATE VENTILATION AT ALL TIMES. WASH HANDS THOROUGHLY AFTER EXPOSURE. SHOOTING OR CLEANING FIREARMS MAY EXPOSE YOU TO LEAD.

TABLE OF CONTENTS

Topic	Page
1.0 Safety Warnings	2
1.1 Eye And Ear Protection	6
1.2 Ammunition	6
1.3 Baffle Strike	7
2.1 Features	10
3.0 Preparations for Use	12
3.1 Attaching SIG SL Series Suppressors.	12
3.2 Installing QD Muzzle Base to Barrel.	13
3.3 Attaching QD Suppressor to Muzzle Base	14
3.4 Installing a Direct Thread SL Series Suppressor.	15
3.2 Operating SIG SAUER SL Series Suppressors	16
4.0 Maintenance	18
4.1 Cleaning	18
4.2 Inspection.	18
5.0 Removing Suppressor From Muzzle Base	20
5.1 Removing QD Mounted Suppressor From Muzzle Base.	21
5.2 Seized QD Suppressor Removal	22
5.3 Removing a Direct Thread SL Series Suppressor.	22

2.0 Specifications

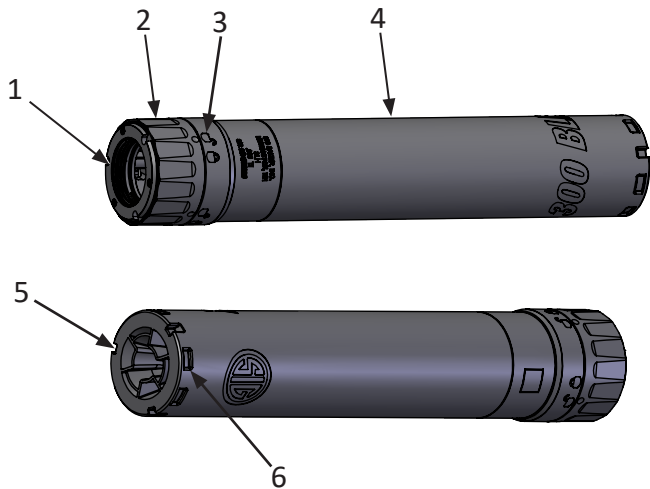
The SL Series of rifle suppressors were born out of today's military requirements and are designed to deliver cutting edge performance. The new Clutch-LOK™ QD mounting system is easy to use, repeatable, and extremely durable. The cross flow baffle design delivers an entirely new shooting experience while reducing harmful toxic gases to the user, allowing gases to expand and cool at a faster rate than traditional baffle design, while minimizing increase bolt speed.

SIG SAUER SL Series suppressors are available in 5.56 NATO, .300BLK, and 7.62 NATO calibers. These suppressors will require SIG SAUER a muzzle base and brake to be installed on your firearm. Muzzle bases are threaded for 1/2 -28 for 5.56/.223 caliber firearms and 5/8-24 for .300BLK and 7.62 caliber firearms. There are two types of bases. Bases with a 90 degree shoulder are for mounting to most standard barrels where the 25 degree bases are used for mounting to SIG SAUER tapered barrels.

Specifications for SLH and SLX Series suppressors can be found at sigsauer.com

2.1 Features

1	Clutch-LOK™ QD Mount	4	Suppressor Body
2	Locking Collar	5	Wrench Slots
3	Lock/Unlock Icons	6	Tactile Indicators



3.0 Preparations for Use

3.1 Attaching SIG SL Series Suppressors



WARNING UNLOAD/CLEAR



ALWAYS ENSURE FIREARM IS UNLOADED AND CLEARED BY PHYSICALLY AND VISUALLY INSPECTING THE CHAMBER PRIOR TO INSTALLING, TIGHTENING OR REMOVING A SUPPRESSOR. FAILURE TO DO SO MAY RESULT IN DEATH, SERIOUS INJURY AND OR DAMAGE TO THE SUPPRESSOR AND FIREARM. REFER TO THE OPERATOR'S MANUAL FOR YOUR PARTICULAR FIREARM.



WARNING INSTALLATION



DISCHARGING A FIREARM WITH AN IMPROPERLY INSTALLED SUPPRESSOR CAN RESULT IN SERIOUS INJURY OR DEATH AND DAMAGE TO THE SUPPRESSOR AND FIREARM.

3.2 Installing QD Muzzle Base to Barrel.



WARNING INSTALLATION



FAILURE TO INSTALL THE BASE AS DESCRIBED OR FAILURE TO USE ROCKSETT® AS DESCRIBED, COULD RESULT IN THE SUPPRESSOR AND BASE COMING LOOSE CAUSING DAMAGE TO THE SUPPRESSOR, OR INJURY TO THE OPERATOR OR BYSTANDER

Remove current muzzle device from your firearm.

1. Clean and degrease threads on the barrel and the base.
2. Apply 2-3 drops of Rocksett Adhesive to the first 1/3 of barrel threads.
3. Thread the base onto the barrel by hand until it stops.
4. Loosen the base approximately halfway, then thread back on until hand tight. This will evenly spread the Rocksett across the threads.
5. Tighten the base to 15-20 ft-lbf using a 13/16 in. crows foot for 5.56 or 7/8 in. crows foot for 7.62/300BLK.
6. Conduct a visual inspection of the bore to ensure no Rocksett has seeped into the bore. If so, clean the residue from the bore.



3.2 Installing QD Muzzle Base to Barrel – Continued

7. Allow the Rocksett to cure for 24 hours.
8. Slide the crush washer onto the brake as shown.
9. Tighten the brake to the base by hand until you feel the crush washer start to compress.
10. Tighten the brake a minimum of one half additional turn to align the ports horizontally.



3.3 Attaching QD Suppressor to Muzzle Base

1. Unlock collar by aligning indicator dot (2) with unlock icon (3).
2. Thread suppressor clockwise onto muzzle base (1) approximately two and one half full turns until it is fully seated on taper. Visually verify that no muzzle base threads are visible at the back of suppressor.

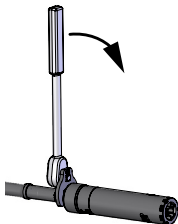


3. Lock suppressor to barrel by rotate locking collar aligning indicator dot (1) with lock icon (2). You will hear and feel a click.



3.4 Installing a Direct Thread SL Series Suppressor

1. Ensure threads of muzzle and suppressor are clean. If installing on a SIG tapered barrel ensure the tapered locking surface is clean and free of residue.
2. Thread suppressor clockwise onto barrel by hand.
3. Tighten to 15-20 ft-lbs.



3.2 Operating SIG SAUER SL Series Suppressors



WARNING AMMUNITION



DO NOT FIRE NON-JACKETED, PRE-FRAGMENTED (FRANGIBLE), TRACER AND MULTI-PROJECTILE OR SHOT CARTRIDGES THROUGH SIG CENTERFIRE RIFLE SUPPRESSORS. FIRING ANYTHING BUT JACKETED PROJECTILES MANUFACTURED TO SAAMI SPECIFICATION THROUGH CENTERFIRE SUPPRESSORS MAY RESULT IN A FRAGMENT HAZARD AND OR DAMAGE TO THE SUPPRESSOR AND OR FIREARM.



WARNING OVERHEATING



DO NOT CONTINUE TO FIRE AMMUNITION THROUGH AN OVERHEATED SUPPRESSOR. THIS CAN RESULT IN FAILURE OF THE SUPPRESSOR ACCOMPANIED BY FRAGMENT AND HOT GAS HAZARDS. SERIOUS INJURY AND OR DAMAGE TO THE SUPPRESSOR AND FIREARM CAN OCCUR.

- a. SIG SAUER recommends firing jacketed, subsonic ammunition through your suppressor when available. The service life of your suppressor is directly related to the firing schedule it is subjected to. Overheating the suppressor will shorten its service life and in extreme cases may result in immediate damage to your suppressor.
- b. Firing supersonic ammunition through the suppressor will accelerate the rate of heat buildup compared to subsonic ammunition. Discoloration of the suppressor baffles is an indication of excessive heat buildup.
- c. During use, periodically check to ensure the suppressor remains securely threaded to your firearm.

4.0 Maintenance

4.1 Cleaning

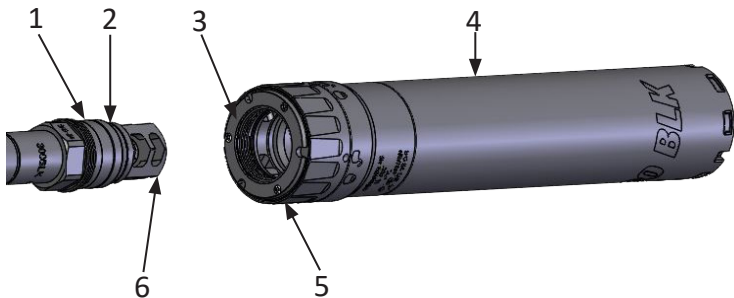
NOTE

SL Series suppressors do not require any internal cleaning.

1. Clean suppressor threads of any residue build up.
2. Wipe suppressor body with a rag moistened with CLP to remove any residue. Wipe body dry.
3. Clean any residue build up from flash hider base with a brush and a dry cleaning solvent similar to (MIL-P-D-680). **Do not use CLP or any other lubricant on flash hider base.**

4.2 Inspection

1. Inspect muzzle device base threads (1) for damage.
2. Inspect locking surface (2) for a highly polished appearance. Dull with abrasive cloth if shiny.
3. Inspect locking collar threads (3) for damage.
4. Inspect suppressor body (4) for damage.
5. Ensure locking collar (5) moves freely between locked and unlocked positions.
6. Inspect muzzle brake (6) for damage.



5.0 Removing Suppressor From Muzzle Base



WARNING HOT SURFACE



NEVER TOUCH SUPPRESSOR WHEN HOT. FAILURE TO COMPLY MAY RESULT IN SEVERE BURNS TO UNPROTECTED SKIN. SEEK IMMEDIATE MEDICAL ATTENTION IF INJURY OCCURS.

CAUTION

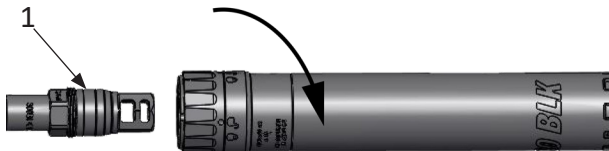
As carbon builds up between suppressor and muzzle base, it will become progressively more difficult to remove the suppressor. If this occurs increase the frequency of cleaning the base.

5.1 Removing QD Mounted Suppressor From Muzzle Base

1. Unlock suppressor from base (1) by rotating locking collar to align indicator dot (2) with unlock icon (3). You will feel and hear a click.



2. Rotate suppressor counterclockwise to remove from base (1).



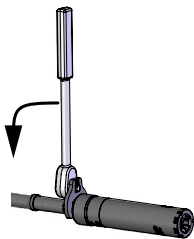
5.2 Seized QD Suppressor Removal

1. Unlock suppressor (Section 5.1)
2. Secure firearm to prevent it from twisting.
3. Use a strap wrench or the optional SL Accessory Wrench to loosen the suppressor from the muzzle base.



5.3 Removing a Direct Thread SL Series Suppressor

1. Secure firearm to prevent it from twisting.
2. Use a 13/16 inch crows foot for 5.56, or 7/8 inch crows foot for 7.62/300BLK to loosen the suppressor from the barrel.



SIG SAUER® Suppressors Limited Lifetime Warranty

SIG SAUER warrants that the enclosed suppressor device was originally manufactured free of defects in material, workmanship, and mechanical function. For the lifetime of the original purchaser, SIG SAUER agrees to correct any defect in the suppressor device for the original purchaser by repair, adjustment, or replacement, at SIG SAUER's option, with the same or comparable quality components (or by replacing the suppressor device at SIG SAUER's option); provided however that a Return Merchandise Authorization (RMA) is first obtained by contacting SIG SAUER Customer Service, and the suppressor device is returned unloaded and freight prepaid to,

SIG SAUER
18 Industrial Drive,
Exeter, NH 03833.

This limited warranty is null and void if the suppressor device has been misused, damaged (by accident or otherwise), used with handloaded, reloaded, or improper ammunition, used with an obstruction in the suppressor device or in the barrel of the attached firearm, damaged through failure to provide reasonable and necessary maintenance as described in the manual accompanying the suppressor device, or if unauthorized repair or any alteration, including of a cosmetic nature, has been performed on the suppressor device. This limited warranty does not apply to normal wear and tear of any parts.

Subject to the foregoing, this limited warranty confers the right to have the covered suppressor device or its parts repaired, adjusted, or replaced exclusively upon the original purchaser, which right is not transferable to any other person. This warranty does not apply to any accessory items or firearms attached or appurtenant to the suppressor device.

ANY WARRANTIES IMPLIED BY LAW, INCLUDING ANY IMPLIED WARRANTIES OF MERCHANTABILITY OR FITNESS FOR A PARTICULAR PURPOSE, ARE EXPRESSLY DISCLAIMED. REPAIR, ALTERATION, OR REPLACEMENT AS PROVIDED HEREIN IS YOUR EXCLUSIVE REMEDY FOR ANY DEFECTIVE PRODUCT. IN NO EVENT SHALL SIG SAUER OR ANY COMPANY AFFILIATED WITH SIG SAUER BE LIABLE FOR ANY SPECIAL, INCIDENTAL, OR CONSEQUENTIAL DAMAGES OF ANY KIND ARISING OUT OF THE PURCHASE OR USE OF THIS PRODUCT, WHETHER BASED UPON CONTRACT, TORT, STATUTE, OR OTHERWISE.

Some states do not allow the exclusion or limitation of implied warranties, or the exclusion or limitation of incidental or consequential damages, so some or all of the above limitations or exclusions may not apply to you. This warranty gives you specific legal rights, and you may also have other rights which vary from State to State.

THIS WARRANTY APPLIES TO U.S. COMMERCIAL CUSTOMERS ONLY, AND DOES NOT APPLY TO GOVERNMENT, MILITARY, LAW ENFORCEMENT, OR NON-US CUSTOMERS. NON-US CUSTOMERS SHOULD CONTACT THEIR LOCAL DEALER OR DISTRIBUTOR FOR APPLICABLE WARRANTY COVERAGE.

SIG SAUER®

sigsauer.com

**SIG SAUER, Inc.
72 Pease Boulevard, Newington, NH 03801 USA**

All trademarks, service marks, trade names, trade dress, product names and logos appearing in this manual are the property of their respective owners. No trademark or service mark appearing in this manual may be used without written consent of the mark's owner.