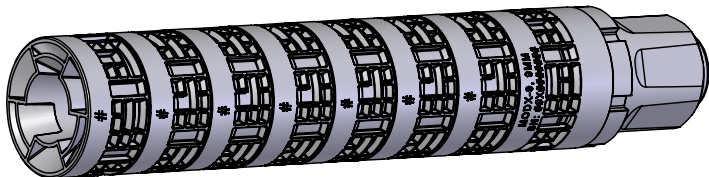


# SIG SAUER®



## **SIG SAUER MODX™**

### **MODULAR PISTOL SUPPRESSORS**

#### **OPERATOR'S MANUAL: HANDLING & SAFETY INSTRUCTIONS**



**WARNING: READ THIS MANUAL AND THE OPERATOR'S MANUAL FOR THE HOST FIREARM IN THEIR ENTIRETY BEFORE OPERATING THIS SUPPRESSOR. FAILURE TO FOLLOW THE INSTRUCTIONS CONTAINED IN THESE MANUALS MAY RESULT IN DEATH, SERIOUS BODILY INJURY AND OR DAMAGE TO THE SUPPRESSOR AND THE HOST FIREARM.**



# WARNINGS

## 1.0 Safety Warnings

**Read this entire manual thoroughly and carefully prior to using this SIG SAUER suppressor.**

The warnings in this operator's manual are important. By understanding the dangers inherent in the use of any firearm and by taking the precautions described in this manual, you can experience a higher level of safety in the use of your suppressor. Failure to heed any of these warnings may result in serious injury or death to you or others as well as severe damage to the suppressor, host firearm or other property.

As a valued SIG SAUER customer, we encourage you to visit [www.sigsauer.com](http://www.sigsauer.com). There, you will find links to product information and updates, merchandise promotions, and educational videos that will be of interest to you as an owner of SIG SAUER products.

SIG SAUER suppressors are designed to function reliably with proper care and knowledgeable use. You must understand the safe operation and use of your SIG SAUER suppressor. Carefully read and follow these directions. Do not use the suppressor unless you fully understand these instructions and the safe operation of your host firearm.

Do not attempt to install the suppressor onto a firearm that has not been both visually and physically cleared of all ammunition.

During normal operation suppressors become hot enough to produce severe burns on unprotected skin, damage to non heat resistant materials, and may ignite flammable materials or liquids. Always wear heat resistant gloves or mitts when handling suppressors after firing. Do not place a suppressor or host weapon on a surface that can be damaged or ignited by hot metal after firing.

## **1.0 Safety Warnings - Continued**

### **Alterations**

This SIG SAUER suppressor was designed to function properly in its original condition. Unauthorized alterations can make it unsafe. Do not alter any part or add or substitute any parts of this suppressor. The addition of any parts or accessories beyond the user level of maintenance described in this manual are not authorized.

### **BATFE Warning**

All NFA Rules and regulations apply to this suppressor. It is unlawful to change the overall length of this suppressor by adding baffles or any other component that would increase the overall length of the suppressor beyond the original length as shipped from SIG SAUER.



# WARNINGS

## 1.0 Safety Warnings - Continued

### Liability

This product is classified as a suppressor and is sold by SIG SAUER with the specific understanding that we shall not be responsible in any manner whatsoever for malfunctioning of the suppressor, host firearm, physical injury, or property damage resulting in whole or in part from:

- Criminal or negligent discharge
- Improper, careless, or abusive handling
- Unauthorized modifications or parts replacement
- Defective, improper, hand-loaded, or reloaded ammunition
- Corrosion
- Neglect
- Other influences beyond our direct and immediate control

This limitation applies regardless of whether liability is asserted on the basis of contract, negligence, or strict liability (including any failure to warn). Under no circumstance shall SIG SAUER, Inc. be liable for incidental or consequential damages, such as loss of use of property, commercial loss, and loss of earnings or profits.

## THE BASIC RULES OF SAFE FIREARMS HANDLING

1. ALWAYS treat every firearm as if it were loaded.
2. ALWAYS be sure that the barrel is clear of any obstruction.
3. ALWAYS be sure of your backstop, what lies beyond, and the safety of bystanders before you shoot.
4. ALWAYS use clean, dry, original factory-made ammunition of the proper type and caliber for your firearm.
5. ALWAYS wear ear protection and safety glasses when shooting.
6. ALWAYS carry your firearm so that you can control the direction of the muzzle if you fall or stumble.
7. NEVER shoot at a flat surface or water.
8. DO NOT leave an unattended firearm loaded. Firearms and ammunition should be stored separately, locked if possible, beyond the reach of children, careless adults, and unauthorized users.
9. NEVER allow your firearm to be used by anyone who has not read and understood this operator's manual.
10. DO NOT point any firearm, loaded or unloaded, at any undesired target.
11. NEVER discharge your firearm near an animal unless the animal is trained to accept the noise: an animal's startled reaction could injure it or cause an accident.
12. NEVER drink alcoholic beverages or use drugs before or during shooting, as your vision and judgment could be seriously impaired, making your firearm handling unsafe.



# WARNINGS

## 1.1 Eye And Ear Protection



Always wear safety glasses that meet the requirements of American National Standards Institute (ANSI) z87.1 and ear plugs and “ earmuff” type protectors whenever you are shooting. Always make certain that persons close to you are similarly protected. Unprotected eyes may be injured by powder, gas, carbon residue, lubricant, metallic particles, or similar debris that may emanate occasionally from any firearm in normal use. Without ear protection, repeated exposure to shooting noise may lead to cumulative, permanent hearing loss.

## 1.2 Ammunition

The use of reloaded, “re-manufactured”, hand-loaded, or other nonstandard ammunition voids all warranties. Reloading is a science and improperly loaded ammunition can be extremely dangerous. Severe damage to the suppressor and serious injury to the shooter or to others may result. Always use ammunition that complies with the industry performance standards established by the Sporting Arms and Ammunition Manufacturers’ Institute, Inc. (SAAMI) or ammunition manufactured to U.S. military specifications.

SIG SAUER, Inc., specifically disclaims responsibility for any damage or injury whatsoever occurring in connection with, or as a result of, the use with any SIG SAUER suppressor of faulty, non-standard, “re-manufactured”, hand-loaded (reloaded) ammunition, or cartridges other than those for which the suppressor was originally manufactured.

Do not fire non-jacketed, pre-fragmented (frangible), multi-projectile, tracer or shot cartridges through SIG SAUER centerfire pistol or rifle suppressors. Firing anything but

jacketed projectiles manufactured to SAAMI specification through centerfire suppressors may result in a fragment hazard and or damage to the suppressor and or host firearm.

### **1.3 Baffle Strike**

A sudden degradation in accuracy or the appearance of a tumbled bullet impact on target may indicate a baffle or end cap strike.

If you suspect the suppressor has suffered a baffle or end cap strike immediately stop shooting, clear and unload the firearm:

- Inspect the suppressor for tightness to the barrel.
- Inspect the end cap for evidence of a strike.
- Disassemble the suppressor and inspect the components for signs of a strike.

If there is damage or suspected damage contact customer service for repair. Death, serious injury, and damage can result from shooting a suppressor with a known baffle strike. Always wear shooting glasses and hearing protectors. Improper ammunition destroys firearms.



# WARNINGS



WARNING: CANCER AND REPRODUCTIVE HARM—[www.P65warnings.ca.gov](http://www.P65warnings.ca.gov)



**DISCHARGING FIREARMS IN POORLY VENTILATED AREAS, CLEANING FIREARMS, OR HANDLING AMMUNITION MAY RESULT IN EXPOSURE TO LEAD AND OTHER SUBSTANCES KNOWN TO CAUSE BIRTH DEFECTS, REPRODUCTIVE HARM, AND OTHER SERIOUS PHYSICAL INJURY. MAINTAIN ADEQUATE VENTILATION AT ALL TIMES. WASH HANDS THOROUGHLY AFTER EXPOSURE. SHOOTING OR CLEANING FIREARMS MAY EXPOSE YOU TO LEAD.**



**TABLE OF CONTENTS**

Topic .....	Page
1.0 Safety Warnings .....	2
1.1 Eye And Ear Protection .....	6
1.2 Ammunition .....	6
1.3 Baffle Strike .....	7
2.1 Specifications .....	10
2.2 Components .....	10
2.2.1 MODX-9 .....	11
2.2.2 MODX-45 .....	12
3.0 Operating .....	13
3.1 Attaching SIG Modular Pistol Suppressors .....	13
3.1.1 Threading Suppressor to Pistol .....	15
3.2 Operating SIG SAUER Modular Pistol Suppressors .....	16
4.0 Maintenance .....	18
4.1 Disassembly MODX-9 / MODX-45 .....	18
4.2 Cleaning .....	22
4.3 Reassembly .....	23
4.3 Reassembly - Continued .....	24
SIG SAUER® Limited Lifetime Warranty .....	31



## **2.0 Specifications and Components**

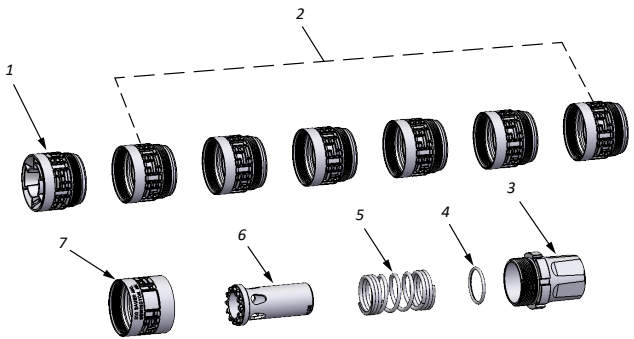
### **2.1 Specifications**

Specifications for SIG SAUER Suppressors can be found by going to [sigsauer.com/products/suppressors](https://sigsauer.com/products/suppressors). There you will be able to find details, features and specifications for our entire suppressor product line.

### **2.2 Components**

SIG SAUER Modular Pistol Suppressor endcap baffles, baffles, and encapsulators are constructed from Titanium.

## 2.2.1 MODX-9

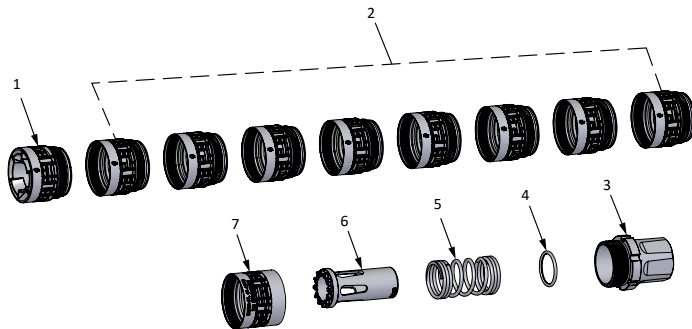


- 1 - Endcap Baffle
- 2 - Baffle (6x)
- 3 - Piston Housing
- 4 - O-Ring

- 5 - Piston Spring
- 6 - Piston
- 7 - Encapsulator



## 2.2.2 MODX-45



- 1 - Endcap Baffle
- 2 - Baffle (8x)
- 3 - Piston Housing
- 4 - Piston O-Ring

- 5 - Piston Spring
- 6 - Piston
- 7 - Encapsulator

### 3.0 Operating

#### 3.1 Attaching SIG Modular Pistol Suppressors



#### **WARNING UNLOAD/CLEAR**



**ALWAYS ENSURE HOST FIREARM IS UNLOADED BY REMOVING THE MAGAZINE, LOCKING THE SLIDE TO THE REAR AND PHYSICALLY AND VISUALLY INSPECTING THE CHAMBER BREECH FACE, AND MAGAZINE WELL PRIOR TO INSTALLING, TIGHTENING OR REMOVING A SUPPRESSOR. FAILURE TO DO SO MAY RESULT IN DEATH, SERIOUS BODILY HARM AND OR DAMAGE TO THE SUPPRESSOR AND FIREARM.**



#### **WARNING INSTALLATION**



**DISCHARGING A FIREARM WITH AN IMPROPERLY INSTALLED OR ASSEMBLED SUPPRESSOR CAN RESULT IN SERIOUS INJURY AND OR DAMAGE TO THE SUPPRESSOR AND OR FIREARM.**



### 3.1 Attaching SIG Modular Pistol Suppressors

## CAUTION

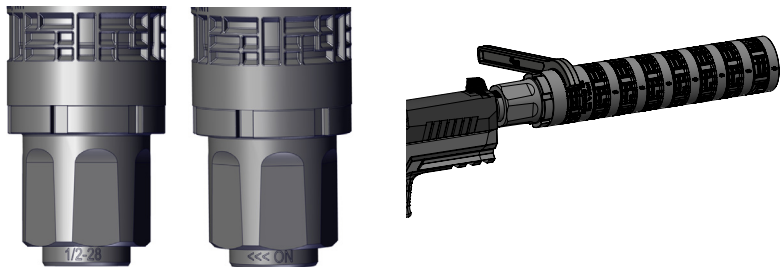
SIG SAUER MODX SUPPRESSORS HAVE SEVERAL VARIATIONS OF THREAD SIZE, PITCH AND DIRECTION (LEFT OR RIGHT HAND THREADED). IT IS THE RESPONSIBILITY OF THE USER TO ENSURE THAT THE CORRECT PISTON IS INSTALLED IN YOUR SUPPRESSOR TO MATCH THE FIREARM. ATTEMPTING TO THREAD THE WRONG SIZE OR PITCH PISTON ONTO THE FIREARM OR ATTEMPTING TO TIGHTEN THE SUPPRESSOR IN THE WRONG DIRECTION CAN RESULT IN DAMAGE TO THE SUPPRESSOR AND OR THE FIREARM.

THREAD TYPES FOR ATTACHING MODX PISTOL CALIBER SUPPRESSORS	
MODX-9	M13.5X1 LEFT HAND THREAD or 1/2-28 RIGHT HAND THREAD
MODX-45	M16X1 LEFT HAND or .578-28 RIGHT HAND THREAD

### 3.1.1 Threading Suppressor to Pistol

After ensuring your pistol is unloaded and cleared, follow the steps to attach your SIG SAUER suppressor.

1. Ensure that the proper piston is installed to match the muzzle threads of your firearm. If the piston needs to be switched to match the threads on your pistol see chapter 4, Sections 1 and 3 (Maintenance, Disassembly and Reassembly).
2. Align the threaded muzzle of the barrel with the piston of the suppressor and screw the suppressor on by hand. The piston end is marked indicating the thread pitch and direction to install. Use a single wrench engaging only the encapsulator and tighten firmly to barrel.





## 3.2 Operating SIG SAUER MODX Suppressors



### WARNING AMMUNITION



**DO NOT FIRE NON-JACKETED, PRE-FRAGMENTED (FRANGIBLE), TRACER AND MULTI-PROJECTILE OR SHOT CARTRIDGES THROUGH SIG MODX SUPPRESSORS. FIRING ANYTHING BUT JACKETED PROJECTILES MANUFACTURED TO SAAMI SPECIFICATION THROUGH MODX SUPPRESSORS MAY RESULT IN A FRAGMENT HAZARD AND OR DAMAGE TO THE SUPPRESSOR AND OR FIREARM.**



### WARNING OVERHEATING



**DO NOT CONTINUE TO FIRE AMMUNITION THROUGH AN OVERHEATED SUPPRESSOR. THIS CAN RESULT IN FAILURE OF THE SUPPRESSOR ACCOMPANIED BY FRAGMENT AND HOT GAS HAZARDS. SERIOUS INJURY AND OR DAMAGE TO THE SUPPRESSOR AND FIREARM CAN OCCUR.**



## CAUTION

SUBSONIC AMMUNITION GENERALLY REQUIRES A FASTER RIFLING TWIST RATE TO STABILIZE THAN COMPARABLE SUPERSONIC AMMUNITION. PRIOR TO FIRING SUBSONIC AMMUNITION CONSULT THE AMMUNITION MANUFACTURER'S RECOMMENDED TWIST RATE AND ENSURE YOUR FIREARM CONFORMS TO THEIR RECOMMENDATION. FIRING AMMUNITION THROUGH A SUPPRESSED PISTOL WITH AN INSUFFICIENT TWIST RATE MAY RESULT IN DAMAGE TO YOUR SUPPRESSOR.

- a. SIG SAUER recommends firing jacketed, subsonic ammunition through your suppressor. The service life of your suppressor is directly related to the firing schedule it is subjected to. Overheating the suppressor will shorten its service life and in extreme cases may result in immediate damage to your suppressor. Firing supersonic ammunition through the suppressor will accelerate the rate of heat buildup compared to subsonic ammunition. Discoloration of the suppressor baffles is an indication of excessive heat buildup.
- b. Check periodically during use to ensure the suppressor remains securely threaded to your firearm (refer to section 1.2)



## 4.0 Maintenance

### 4.1 Disassembly MODX-9 / MODX-45

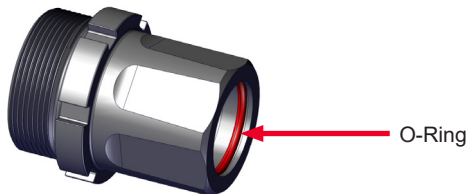
1. Engage wrench slot in encapsulator and slot in piston housing with two suppressor wrenches.
2. Use wrench in encapsulator to keep encapsulator from turning while you unscrew piston housing counterclockwise from encapsulator.



**NOTE**

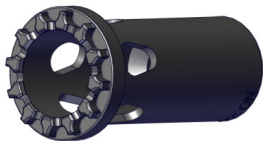
Removal of the O-Ring from the piston housing is only required if replacement is necessary

3. Remove the o-ring from the groove in the piston housing if replacement is required due to damage or deterioration.

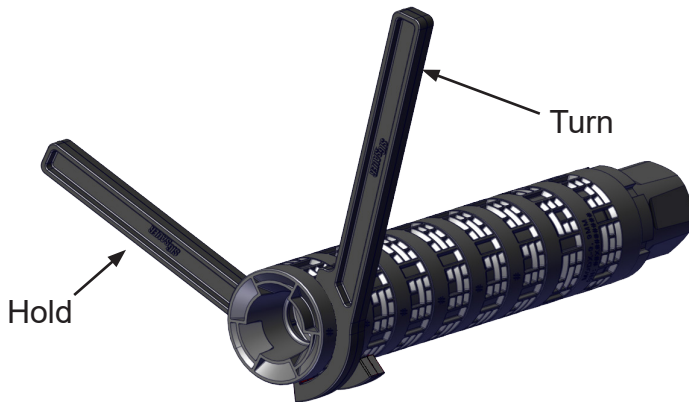




4. Remove piston and spring .

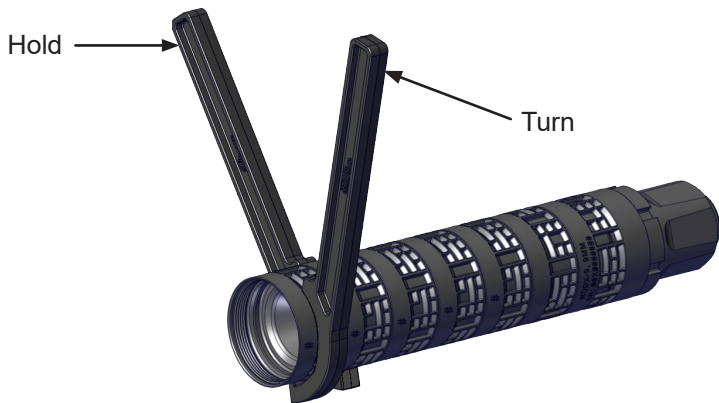


5. Place the hook end of wrench in one of the rectangular slots of the endcap baffle and the other wrench in a slot in the adjacent baffle.
6. Unscrew the endcap baffle counterclockwise.





7. Place the hook portion of both wrenches in the rectangular notches of adjacent baffles.
8. Use one wrench to keep baffle from turning while unscrewing the end baffle counterclockwise to remove.



## 4.2 Cleaning

Use the following steps to clean your SIG MODX Suppressor. The recommended cleaning interval is every 1000 rounds.

### CAUTION

DO NOT USE SAND PAPER, EMERY CLOTH OR SIMILAR ABRASIVES ON ANY PART WHEN CLEANING SIG MODX SUPPRESSORS.

SIG SAUER MODX Suppressors may be cleaned with solvent approved for firearms use, cleaning brushes with nylon bristles, and Scotch-Brite™ cleaning pads.

Scrub components with solvent and either a nylon brush or Scotch-Brite™ cleaning pads to remove the carbon and other firing residue from all surfaces.

Ensure all components are clean, dry and free from oil or cleaning solvents prior to reassembly.

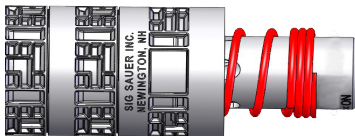


### 4.3 Reassembly

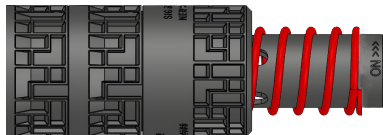
The high rate spring is the factory installed spring in the MODX Suppressor. It works well with most pistols. However, if you experience short strokes or ejection failure while using the MODX suppressor switch out the spring to the low rate spring.

#### NOTE

Piston housing removed for clarity



High Rate  
Piston Spring

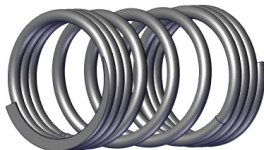
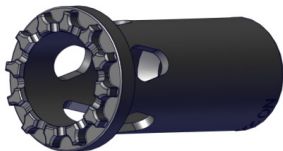


Low Rate  
Piston Spring



### 4.3 Reassembly - Continued

1. Lightly lubricate the piston outside diameter with molybdenum grease every 100-200 rounds. This will provide lubrication for the O-Ring in the piston housing.
2. Install a new o-ring into the groove of the piston housing if O-ring is damaged or missing.
3. Slide the piston spring over the piston.

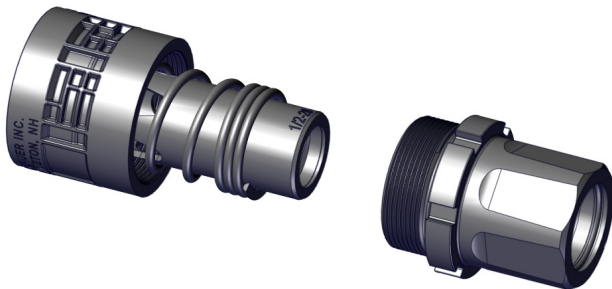




4. Insert the piston and spring into the encapsulator making sure the teeth of the piston properly engage the scallops in the encapsulator.



5. Compress the spring with the piston housing and screw the housing into the encapsulator.

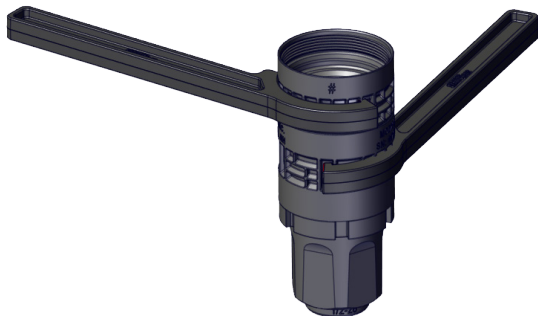
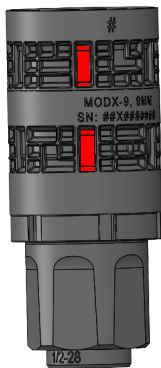




6. Thread a baffle onto the encapsulator by hand until snug.

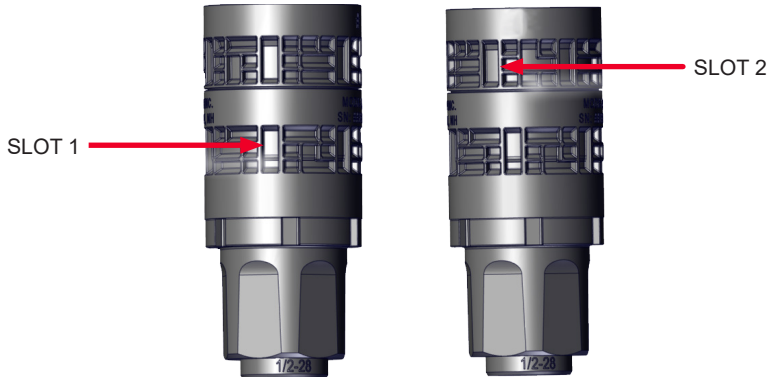


- Using any of the longer wrench slots (shown in red for clarity) install a wrench in a slot on the encapsulator to prevent it from turning.
- Install an additional wrench in a slot on the baffle close to the slot on the encapsulator.

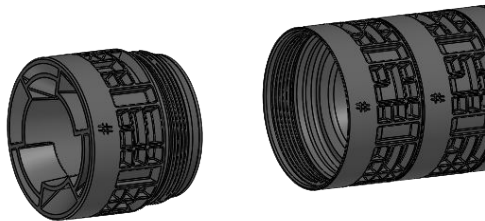




9. Using the wrench on the baffle, tighten the baffle clockwise the width of one wrench slot from hand tight. Slot 1 shown in the image below is the slot you will use to hold the encapsulator in place. Slot 2 is the slot on the baffle you will use to tighten the baffle to the encapsulator. Slot 2 is shown tightened clockwise one additional slot. Your final alignment might differ depending on where the slots align once the baffle is hand tight. The image below is for reference.
10. Repeat this process for the remaining baffles you wish to add.



11. Assemble the end cap to the last baffle and tighten in the same manner.





**THIS PAGE INTENTIONALLY LEFT BLANK**



## **SIG SAUER® Limited Lifetime Warranty**

SIG SAUER warrants that the enclosed suppressor device was originally manufactured free of defects in material, workmanship, and mechanical function. For the lifetime of the original purchaser, SIG SAUER agrees to correct any defect in the suppressor device for the original purchaser by repair, adjustment, or replacement, at SIG SAUER's option, with the same or comparable quality components (or by replacing the suppressor device at SIG SAUER's option); provided however that a Return Merchandise Authorization (RMA) is first obtained by contacting SIG SAUER Customer Service, and the suppressor device is returned unloaded and freight prepaid :

SIG SAUER  
18 Industrial Drive  
Exeter, NH 03833

This limited warranty is null and void if the suppressor device has been misused, damaged (by accident or otherwise), used with handloaded, reloaded, or improper ammunition, used with an obstruction in the suppressor device or in the barrel of the attached firearm, damaged through failure to provide reasonable and necessary maintenance as described in the manual accompanying the suppressor device, or if unauthorized repair or any alteration, including of a cosmetic nature, has been performed on the suppressor device. This limited warranty does not apply to normal wear and tear of any parts.



Subject to the foregoing, this limited warranty confers the right to have the covered suppressor device or its parts repaired, adjusted, or replaced exclusively upon the original purchaser, which right is not transferable to any other person. This warranty does not apply to any accessory items or firearms attached or appurtenant to the suppressor device.

ANY WARRANTIES IMPLIED BY LAW, INCLUDING ANY IMPLIED WARRANTIES OF MERCHANTABILITY OR FITNESS FOR A PARTICULAR PURPOSE, ARE EXPRESSLY DISCLAIMED. REPAIR, ALTERATION, OR REPLACEMENT AS PROVIDED HEREIN IS YOUR EXCLUSIVE REMEDY FOR ANY DEFECTIVE PRODUCT. IN NO EVENT SHALL SIG SAUER OR ANY COMPANY AFFILIATED WITH SIG SAUER BE LIABLE FOR ANY SPECIAL, INCIDENTAL, OR CONSEQUENTIAL DAMAGES OF ANY KIND ARISING OUT OF THE PURCHASE OR USE OF THIS PRODUCT, WHETHER BASED UPON CONTRACT, TORT, STATUTE, OR OTHERWISE.

Some states do not allow the exclusion or limitation of implied warranties, or the exclusion or limitation of incidental or consequential damages, so some or all of the above limitations or exclusions may not apply to you. This warranty gives you specific legal rights, and you may also have other rights which vary from State to State.

THIS WARRANTY APPLIES TO U.S. COMMERCIAL CUSTOMERS ONLY, AND DOES NOT APPLY TO GOVERNMENT, MILITARY, LAW ENFORCEMENT, OR NON-US CUSTOMERS. NON-US CUSTOMERS SHOULD CONTACT THEIR LOCAL DEALER OR DISTRIBUTOR FOR APPLICABLE WARRANTY COVERAGE.

**Notes:**

**SIG SAUER®**

[sigsauer.com](http://sigsauer.com)

**SIG SAUER, Inc.  
72 Pease Boulevard, Newington, NH 03801 USA**

**All trademarks, service marks, trade names, trade dress, product names and logos appearing in this manual are the property of their respective owners. No trademark or service mark appearing in this manual may be used without written consent of the mark's owner.**