

*Weatherby*<sup>®</sup>

VANGUARD  
SERIES 2

**OWNERS  
MANUAL**

## INTRODUCTION

Thank you for buying a Weatherby® firearm, and welcome to the family. We realize that you had many products to choose from and hope you feel as we do, that you purchased the finest quality production firearm on the market today.

When my late father started this company in 1945, it was as a means to turn his revolutionary vision of rifle design and cartridge performance into practical realities.

At the time, I'm sure he had little idea that Weatherby® would come to be one of the most respected and revered brands in the firearms industry. That is a level of respect we appreciate and you have our assurance that it will not be taken for granted.

This Owner's Manual is designed to assist you in learning how to use and care for your Weatherby® Vanguard® rifle. Please read it very carefully and follow all instructions and safety warnings.

In closing, let me assure you that we are committed to the hunter, shooter and sportsman; and delivering the uncompromising craftsmanship, performance and value that you require in all that we do.

Good Shooting!

**- SAFETY -  
FIRST AND FOREMOST**

**FIREARMS ARE DANGEROUS WEAPONS, WHICH CAN CAUSE SERIOUS INJURY OR DEATH. WHEN USING ANY FIREARM, SAFETY MUST BE YOUR FIRST AND CONSTANT CONCERN.**

**READ AND UNDERSTAND THE FOLLOWING SAFETY RULES**

**KNOW YOUR FIREARM.** Before assembling or using your Weatherby® Vanguard® rifle, read and understand the instructions and safety warnings contained in this Owner's Manual in order to learn how to use the firearm safely and correctly.

**ALWAYS TREAT YOUR FIREARM AS IF IT WERE LOADED.** Use the manual safety lever as outlined in this manual. Never move the safety to the "FIRE" position until YOU are ready to fire.

**KEEP THE MUZZLE POINTED IN A SAFE DIRECTION.** The safe direction may be "up" on some occasions, and "down" on others. Never point the muzzle toward anything not intended as a target.

**USE ONLY THE CORRECT AMMUNITION FOR YOUR FIREARM.** Be sure to use only the correct ammunition for your Weatherby® Vanguard® rifle as stamped on the side of the barrel.

**ALWAYS UNLOAD YOUR FIREARM WHEN NOT SHOOTING.** Never transport or store a loaded firearm in a vehicle or building. Unload your firearm before climbing a fence or obstruction, or entering a slippery area.

**MAINTAIN YOUR FIREARM.** Keep the barrel clean and free of obstructions. Clean your firearm regularly and have it inspected periodically to make sure it is mechanically correct and functioning properly. Worn or damaged parts can be dangerous.

**DO NOT MAKE ADJUSTMENTS.** Never make alterations to your firearm. Use only Weatherby® parts. Do not make any changes to the shape or size of the sear or other parts. Repair should be performed by a Weatherby® Authorized Service Center.

**MAKE YOURSELF SAFE.** Always wear shooting glasses, and use ear protection when shooting or attending shooting events. Never drink alcoholic beverages before or during shooting.

**REMEMBER - FIREARMS SAFETY DEPENDS ON YOU!!**

# INDEX

• Introduction	Page 1
• <b>Safety - First and Foremost</b>	Page 2
• Index	Page 3
• General Overview	Page 4
• Manual Safety Operation	Page 5
• Ammunition	Page 6
• Operating Instructions	Page 6
Inserting Bolt Assembly into Receiver	Page 6
Removing the Bolt Assembly from the Receiver	Page 7
Checking for and Clearing Bore Obstructions	Page 7
To Check the Barrel for Obstructions	Page 7
If there is an Obstruction	Page 8
Loading the Rifle	Page 8
To Load the Magazine	Page 8
To Feed a Cartridge from the Magazine into the Chamber	Page 9
Firing the Rifle	Page 9
Unloading the Rifle	Page 9
• Disassembly Instructions	Page 10
Disassembly of the Vanguard® Rifle	Page 10
Reassembly of the Vanguard® Rifle	Page 11
• Cleaning Your Weatherby® Vanguard® Rifle	Page 12
Cleaning the Bore	Page 13
Cleaning of the Bolt Assembly	Page 13
Cleaning the Outside of the Barrel and Receiver	Page 13
Cleaning Muzzle Brakes	Page 13
Cleaning the Magazine	Page 14
Cleaning the Trigger Guard Assembly	Page 14
Cleaning the Stock	Page 14
Rust Prevention and Repair	Page 14
Assembly of Weatherby® Vanguard® Rifle	Page 15
Assembly of Barrel and Receiver to Stock	Page 15
Trigger Assembly Adjustment	Page 15
Storing Your Rifle	Page 16
Suggestions for Getting Top Performance from Your Weatherby® Vanguard® Rifle	Page 17
Exploded View Diagram	Page 18
Exploded View Diagram (2)	Page 19
Parts List	Page 20
Weatherby Service Policy	Page 21
Ten Commandments of Firearms Safety	Page 22
Exercise Extreme Caution	Page 22

## WEATHERBY® VANGUARD® SERIES 2 RIFLE

The Weatherby® Vanguard® Series 2 rifle is a bolt action rifle primarily used for hunting and target shooting.

With proper care as outlined in this manual, your Weatherby® Vanguard® Series 2 rifle should give you many years of dependable use and shooting pleasure.

The picture below shows the main parts of the Weatherby® Vanguard® Series 2 rifle. Please refer to it when reading this manual. It will aid in understanding the terminology.



Fig. 1

### **LEAD WARNING!**

**DISCHARGING FIREARMS IN POORLY VENTILATED AREAS, CLEANING FIREARMS, OR HANDLING AMMUNITION MAY RESULT IN EXPOSURE TO LEAD OR OTHER SUBSTANCES KNOWN TO CAUSE BIRTH DEFECTS, REPRODUCTIVE HARM AND OTHER SERIOUS PHYSICAL INJURY. HAVE ADEQUATE VENTILATION AT ALL TIMES. WASH HANDS THOROUGHLY AFTER EXPOSURE.**

## MANUAL SAFETY OPERATION

The manual safety on the Weatherby® Vanguard® Series 2 rifle is a lever-type 3 position safety located on the right side of the action immediately behind the bolt handle. When in proper condition and correctly engaged in one of the "SAFE" positions, the manual safety blocks the sear and prevents accidental discharge under normal usage.

### **WARNING!!**

**Never depend on any mechanical safety mechanism or device to prevent the dangers of careless handling or pointing a firearm in an unsafe direction.**

**When manipulating the manual safety, keep all fingers outside the trigger guard. The rifle will fire if the trigger is pulled when the safety is not in one of the "SAFE" positions.**

**The safety should always be in one of the "SAFE" positions except when the rifle is intended to be fired.**

**Never pull the trigger when the safety is in one of the "Safe" positions.**

The manual 3 position safety lever can only be moved between the "SAFE" and "OFF SAFE" positions when the rifle is cocked and the bolt is closed and locked, with the bolt handle in the fully down position. *To minimize the possibility of accidental discharge, it is strongly recommended that the safety lever always be placed and kept in one of the "SAFE" positions except when the rifle is intended to be fired.*

To engage the manual safety, use your thumb to rotate the safety lever rearward until it stops and stays in place in one of the two "Safe" positions (S and I) - refer to Fig. 2 & 3. When the safety lever is in the most rearward "Safe" position (S), the safety mechanism blocks the sear and locks the bolt handle in the closed, with the bolt handle in the fully down position. When the safety lever is in the middle "Safe" position (I), the safety mechanism blocks the sear and unlocks the bolt, allowing the shooter to lift the bolt handle and pull the bolt rearward with the safety engaged.

[NOTE: On initial Vanguard® Series 2 rifles, the most rearward "Safe" position was marked "S", and the middle "Safe" position was marked "U" ]



Fig. 2



Fig. 3



Fig. 3A

To disengage the manual safety, rotate the safety lever fully forward until it stops in alignment with the "F" on the bolt sleeve which indicates that the rifle is ready to fire and the safety is in the "Off Safe" position (refer to Fig. 3A).

## AMMUNITION

Weatherby® Vanguard® Series 2 rifles are chambered for calibers and cartridges ranging from .223 Remington to .338 Winchester Magnum, for which factory-loaded ammunition manufactured in accordance with U.S. industry standards is commercially available.

Exercise care to assure that you are using only the correct ammunition for your rifle. Always make certain that the caliber and cartridge indicated on the factory loaded cartridge headstamp matches the caliber and cartridge type marked on the barrel of your rifle.

### **WARNING!!**

**Use of incorrect or overloaded ammunition can result in death or serious injury and damage to your firearm due to excessive pressure. Even the strongest firearm can be "blown up" by excessive pressure. Use only factory-loaded ammunition of the correct caliber as marked on the rifle's barrel.**

**Always wear shooting glasses and hearing protectors when shooting.**

### **AMMUNITION NOTICE**

WEATHERBY, INC. SPECIFICALLY DISCLAIMS RESPONSIBILITY FOR ANY INJURY OR DAMAGE WHATSOEVER OCCURRING IN CONNECTION WITH, OR AS A RESULT OF, THE USE OF FAULTY, OR NON-STANDARD, OR "REMANUFACTURED" OR HAND-LOADED OR RELOADED AMMUNITION, OR OF AMMUNITION OTHER THAN FOR WHICH THE FIREARM WAS ORIGINALLY CHAMBERED.

## OPERATING INSTRUCTIONS

### **INSERTING BOLT ASSEMBLY INTO RECEIVER**

**Keeping the muzzle of the rifle pointed in a safe direction, and your fingers out of the trigger guard and away from the trigger:**

1. Inspect the rifle and remove any ammunition present in the chamber or magazine (*refer to items 3 & 4 of Unloading the Rifle, page 9*)
2. Move the safety to the middle "Safe" position (refer to Manual Safety Operation, page 5).
3. Fit the front end of the bolt assembly into the rear of the receiver.
4. Depress the bolt release lever as far as possible (refer to Fig. 4).
5. Slide the bolt assembly forward into the receiver about three inches and release the bolt release lever.
6. The bolt may now be pushed forward to the fully closed position, and locked by exerting pressure forward and downward on the bolt handle.

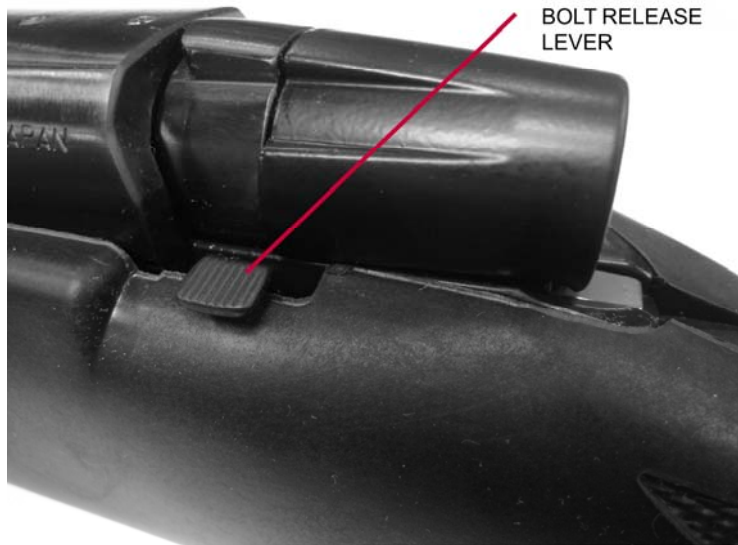


Fig. 4

#### REMOVING THE BOLT ASSEMBLY FROM THE RECEIVER

Keeping the muzzle of the rifle pointed in a safe direction, and your fingers out of the trigger guard and away from the trigger:

1. Move the safety lever to the middle “Safe” position (*refer to Manual Safety Operation, page 5*)
2. Open the bolt by rotating the bolt handle upward until the bolt rotation stops
3. Move the bolt rearward until the bolt hits against the bolt stop
4. Inspect the rifle to make sure no rounds are in the magazine or chamber (*refer to Unloading the Rifle, page 9*)
5. Push down on the bolt release lever (refer Fig 4).
6. Move the bolt straight rearward until the bolt clears the receiver

#### CHECKING FOR AND CLEARING BORE OBSTRUCTIONS

The barrel of your rifle should always be checked for obstructions before assembly, before loading and **immediately** following any occurrence in the field which might result in mud, dirt or other debris entering the bore.

***WARNING!!*** Never attempt to check for or clear a bore obstruction by loading a cartridge into the chamber of the barrel and firing! If there is a bore obstruction this will cause excessive pressures which may result in death or serious injury and damage to your rifle.

#### TO CHECK THE BARREL FOR OBSTRUCTIONS

Keeping the muzzle of the rifle pointed in a safe direction and your fingers out of the trigger guard and away



**from the trigger at all times**

1. Move the manual safety to the middle "Safe" position (*refer to Manual Safety Operation, page 5*).
2. Unload the rifle (*refer to Unloading the Rifle, page 9*).
3. Remove the bolt (*refer to Removing the Bolt Assembly from the Receiver, page 7*).
4. Visually check the bore for obstructions by looking through the barrel from the breech end through the muzzle.

#### **IF THERE IS AN OBSTRUCTION**

1. Push a rifle bore cleaning tool through the bore from the breech end until the end of tool exits the muzzle.
2. If the obstruction cannot be easily cleared, contact a Weatherby® Authorized Service Center or a qualified gunsmith.

#### **LOADING THE RIFLE**

### **WARNING!!**

Use of incorrect or overloaded ammunition can result in death or serious injury and damage to your firearm due to excessive pressure. Even the strongest firearm can be "blown up" by excessive pressure. Use only factory-loaded ammunition as marked on the rifle's barrel.

The accidental chambering and discharge of cartridges of the wrong caliber or cartridge type can result in damage to your rifle and possible injury to the shooter. Carry only ammunition of the proper caliber and cartridge type with you when shooting.

**Always wear shooting glasses and hearing protectors when shooting.**

### **AMMUNITION NOTICE**

WEATHERBY, INC. SPECIFICALLY DISCLAIMS RESPONSIBILITY FOR ANY INJURY OR DAMAGE WHATSOEVER OCCURRING IN CONNECTION WITH, OR AS A RESULT OF, THE USE OF FAULTY, OR NON-STANDARD, OR "REMANUFACTURED" OR HAND-LOADED OR RELOADED AMMUNITION, OR OF AMMUNITION OTHER THAN FOR WHICH THE FIREARM WAS ORIGINALLY CHAMBERED.

#### **To Load the Magazine**

**Keeping the muzzle of the rifle pointed in a safe direction and your fingers out of the trigger guard and away from the trigger at all times**

1. Move the manual safety lever to the middle "Safe" position (*refer to Manual Safety Operation, page 5*).
2. Open the bolt by lifting the bolt handle until it stops and pull the bolt to the rear until it stops.
3. Visually check to make sure no cartridge is in the chamber
4. Insert desired number of cartridges of the proper caliber and cartridge type (*refer to Ammunition, page 6*) into the magazine by pressing them individually into the top of the magazine box with the bullets pointed toward the barrel.
5. Use your thumb or fingers to press the top cartridge down as you push the bolt forward so the bolt does not strip the top cartridge from the magazine and load it into the chamber.

6. Immediately move the safety lever fully rearward to the “On Safe” position (*refer to Manual Safety Operation, page 5*).

### To Feed a Cartridge from the Magazine into the Chamber

**Keeping the muzzle of the rifle pointed in a safe direction and your fingers out of the trigger guard and away from the trigger at all times**

1. Move the manual safety lever from the rearmost “On Safe” position to the middle "Safe" position (*refer to Manual Safety Operation, page 5*).
2. Open the bolt by lifting the bolt handle until it stops and pulling the bolt to the rear until it stops.
3. Close the bolt by pushing the bolt handle forward. As the bolt moves forward it will strip a round from the magazine and feed it into the chamber.
4. With the bolt fully forward rotate the bolt handle down until it stops. The rifle is now ready to fire. Keep your fingers out of the trigger guard and away from the trigger until you are ready to fire the rifle.
5. Immediately move the safety lever fully rearward to the “On Safe” position (*refer to Manual Safety Operation, page 5*).

**WARNING!! If the manual safety is not in one of the "SAFE" positions, the rifle is ready to fire. Do not touch the trigger until YOU are ready to fire.**

### FIRING THE RIFLE

**Pulling the trigger fires the rifle when a cartridge is in the chamber.**

1. With a cartridge of the proper caliber and type in the chamber of the barrel, and **keeping the muzzle of the rifle pointed in a safe direction and your fingers out of the trigger guard and away from the trigger**, rotate the manual safety lever to the “Off Safe” position (*refer to Manual Safety Operation, page 5*).
2. Hold the recoil pad snugly to your shoulder and carefully point the muzzle of the rifle at your intended target, using properly installed sights or riflescope to aim.
3. Squeeze (pull) the trigger with steadily increasing pressure until the rifle fires.

**WARNING!! Do not touch the trigger until you are actually ready to fire the rifle, or an unintended discharge may occur, possibly resulting in death or injury to a bystander, or damage to an unintended target.**

**NOTICE:** Never use a fixed or immovable rest or place sand bags directly behind the pistol grip when shooting your Vanguard® Series 2 rifle. On firing, recoil drives the rifle back with great force, transferring recoil energy to all points of contact, which may result in unrepairable damage to the pistol grip or stock. Weatherby, Inc. will not be responsible for such damage.

### UNLOADING THE RIFLE

***ALWAYS UNLOAD YOUR RIFLE IMMEDIATELY AFTER YOU FINISH SHOOTING.***

**Keeping the muzzle of the rifle pointed in a safe direction and your fingers out of the trigger guard and away from the trigger at all times**

1. Move the manual safety lever to the middle "Safe" position (*refer to Manual Safety Operation, page 5*).

2. Open the bolt to remove any cartridge from the chamber and pull the bolt to the rear until the bolt stops against the bolt stop, the cartridge will be ejected from the receiver.
3. Visually and manually check to make certain that the bolt has extracted any live round or fired cartridge case from the chamber. If a live round or fired cartridge case remains in the chamber, remove the bolt from the rifle (refer to Removing the Bolt Assembly from the Receiver, page 7), and *immediately* take the rifle to a Weatherby Authorized Service Center or a qualified gunsmith (*keeping the bolt out of the rifle at all times*).
4. To unload the magazine, open the floor plate by depressing the floor plate release. (Fig. 5). The floor plate will swing out, allowing any cartridges in the magazine to drop free. Do not allow the cartridges to fall to the ground as they may be damaged or become dirty, making loading and chambering more difficult. Subsequent loading of a damaged or dirty cartridge may cause a live round to become jammed in the chamber of the firearm resulting in an unsafe condition.

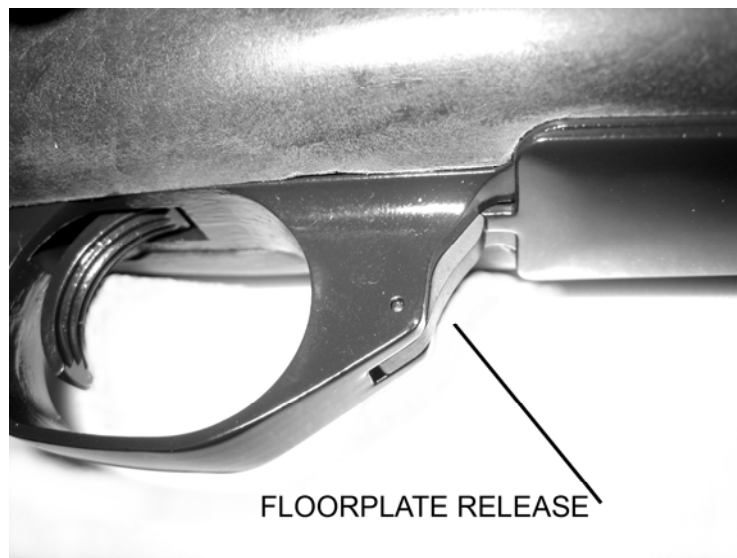


Fig. 5

5. Visually and manually reconfirm that there are no cartridges remaining in the magazine or the chamber.
6. Reposition the magazine follower inside the magazine box and close the floorplate.

**NOTICE: IF THE BOLT IS PUSHED ALL THE WAY FORWARD AND A CARTRIDGE IS IN THE MAGAZINE, THAT CARTRIDGE WILL BE CHAMBERED AND THE RIFLE CAN BE FIRED. THEREFORE, ALWAYS DOUBLE CHECK THE MAGAZINE AND CHAMBER.**

## DISASSEMBLY INSTRUCTIONS

### DISASSEMBLY OF THE VANGUARD® SERIES 2 RIFLE

Before attempting to disassemble your Vanguard® rifle, study the exploded view diagram on page 18 of this Owner's Manual to familiarize yourself with the general appearance and position of each part.

1. Move the safety lever to the middle "Safe" position (Refer to Manual Safety Operation, page 5).
2. Unload the rifle. (refer to Unloading the Rifle, page 9).
3. Raise the bolt handle and draw the bolt all the way to the rear.

4. VISUALLY CHECK THE CHAMBER AND THE MAGAZINE TO BE CERTAIN THERE ARE NO CARTRIDGES IN THE RIFLE
5. Remove the bolt assembly (refer to Removing the Bolt Assembly from the Rifle, page 7)
6. Remove the trigger guard assembly and stock.
  - a. Press the floorplate release to open the floorplate.
  - b. With a screwdriver of the proper size, remove the front and rear trigger guard screws.
  - c. Remove the trigger guard assembly from the stock.
  - d. Remove the stock.
7. To field strip the bolt:
  - a. Referring to Fig. 6 (below), hold the bolt body(B) stationary while rotating the bolt sleeve(A) in a clockwise direction (as viewed from the rear) approximately 170° until firing pin/bolt sleeve assembly separates from the bolt body (B).
  - b. Withdraw the firing pin/bolt sleeve assembly (A) from the bolt body (B).



Fig. 6

NOTE: Further disassembly is not recommended. If further disassembly is required, contact a Weatherby Authorized Service Center or qualified gunsmith.

#### REASSEMBLY OF VANGUARD® SERIES 2 RIFLE

These instructions assume the rifle has been disassembled as described in Disassembly of Vanguard® Series 2 Rifle, above.

1. Reassemble the bolt as follows:
  - a. Referring to the Fig. 7 (below), insert the firing pin bolt sleeve assembly (A) into the bolt body (B), aligning the square boss (C) on the bolt sleeve shank (D) with the indexing groove (E) on the bolt body (B).
  - b. Rotate the firing pin bolt sleeve assembly (A) counter-clockwise (as viewed from the rear), until the nose of the cocking piece (G) falls into the detent (E) near the cam opening (F).
2. Insert bolt assembly into the receiver (refer to Inserting Bolt Assembly into Receiver, page 6).

3. Place the receiver, barrel and trigger assembly into the stock (refer to Assembly of Weatherby® Vanguard® Series 2 Rifle, page 15).
4. Insert the magazine box into it's cavity on the underside of the stock and push it all the way into the receiver.
5. Holding the rifle in a vertical position, place the trigger guard assembly (with follower and follower spring) into its cavity and hold in place.
6. Turn rifle to horizontal position with trigger guard pointed up, and install trigger guard screw (refer to Assembly of Weatherby® Vanguard® Series 2 Rifle, page 15). **NOTE:** The shorter screw is the front trigger guard screw and the longer screw is the rear trigger guard screw.
7. With a screwdriver of the proper size, lightly tighten both trigger guard screws.
8. Grasp the barrel and pull it to the rear to seat the barrel and receiver properly in the stock.
9. Tighten the trigger guard screws to the proper torque and in the proper sequence as follows. Always tighten the rear screw first to a torque of 35 inch pounds, followed by a torque of 35 inch pounds to the front screw. For wood and synthetic stocks this is the final torque value that should be used. On composite stocks with aluminum bedding blocks, apply additional torque to 55 inch pounds to the rear screw followed by 55 inch pounds to the front screw.

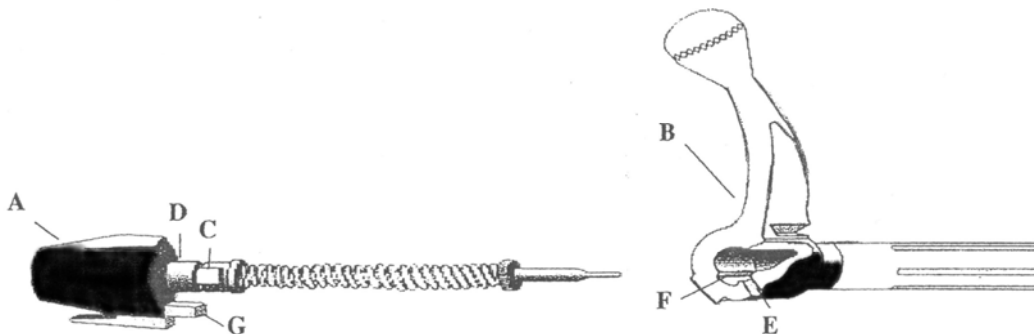


Fig. 7

## CLEANING YOUR WEATHERBY® VANGUARD® RIFLE

Any firearm requires regular cleaning and periodic maintenance. To assure safe and reliable functioning of your Weatherby® Vanguard® Series 2 Rifle, it is very important that you clean it immediately after each use, and periodically during extended storage periods, to remove powder residue, dirt, dust and excess lubricant, and to prevent rust. During cleaning, inspect components to determine whether they are in proper working order.

A basic cleaning kit consists of proper-sized cleaning rod, bore brush(es) and patches; gun cleaning solvent, gun lubricant, and lint-free cloth. The cleaning rod must have a tip with a slot into which patches can be inserted. Additionally, plastic bristle gun cleaning brushes, cotton swabs and pipe cleaners are very handy tools for cleaning away dirt in hard to reach places.

To properly clean your rifle, it must first be disassembled (*refer to Disassembly Instructions, page 10*), the parts and components cleaned as discussed below, then reassembled (*refer to Reassembly Instructions, page 11*).

**CAUTION:** *Apply solvents and lubricants properly and sparingly. Do not spray or apply directly on*

*ammunition. Solvents and lubricants may affect the propellant, causing it not to ignite, but the energy from the primer may be sufficient to propel the propellant and bullet into the bore of the barrel, causing an obstruction, and resulting in damage to the rifle and serious injury to the shooter and bystanders upon firing a subsequent cartridge.*

### CLEANING THE BORE

1. Remove the bolt (refer to *Removing the Bolt Assembly from the Receiver, page 7*)
2. With a bore cleaning brush of the proper size attached to the cleaning rod, apply gun cleaning solvent to the brush.
3. Push the cleaning rod all the way through the bore from the chamber end several times.
4. With a clean patch inserted in the tip attached to the cleaning rod, push the rod all the way through the barrel bore from the chamber end until the cloth emerges from the muzzle. Remove the dirty patch and withdraw the rod.
5. Repeat step 4 as many times as needed until the patch is clean as it emerges from the muzzle.
6. Using a clean patch or lint-free cloth wrapped around the tip of your finger or similarly shaped object, remove all solvent from the muzzle of the barrel bore.
7. Insert a patch saturated with gun lubricant into the cleaning rod tip and push it through the bore from the chamber end. Remove the patch and withdraw the rod.
8. Insert a dry, clean patch into the cleaning rod tip and push it through the bore from the chamber end, to remove excess lubricant. Remove the patch and withdraw the rod.
9. Using a clean patch or lint-free cloth wrapped around the tip of your finger or similarly shaped object, apply a light coat of gun lubricant to the muzzle of the barrel bore.

**WARNING!! Excess lubrication in the bore or chamber of any firearm may create excessive chamber pressures or a partial bore obstruction, resulting in possible damage to the firearm and serious injury to the shooter and bystanders upon firing. BE SURE ALL EXCESS LUBRICANT HAS BEEN REMOVED.**

### CLEANING OF THE BOLT ASSEMBLY

1. Clean all parts with a gun cleaning solvent and dry with a clean, lint-free cloth. Use of a small brush will help in cleaning recesses of the bolt sleeve and firing pin spring.
2. Apply a **light** coat of gun oil.

### CLEANING THE OUTSIDE OF THE BARREL AND RECEIVER

1. Using a patch or clean cloth saturated with cleaning solvent, wipe down all accessible surfaces of the barrel and receiver. (A clean tooth brush may be handy for cleaning the corners and recesses of the receiver)
2. With a clean, dry, lint-free cloth, remove all cleaning solvent.
3. Using a patch or clean, lint-free cloth, apply a light coat of gun lubricant to the outside surfaces of the barrel and receiver being careful to remove any excess lubricant.

## CLEANING MUZZLE BRAKES

If your rifle is equipped with a removable (“screw-off”) muzzle brake, use the supplied wrench to unscrew the muzzle brake from the barrel. When viewing from the muzzle, turn the muzzle brake counter clockwise to unscrew.

1. With a bore cleaning brush of proper size attached to the cleaning rod, apply gun cleaning solvent to the brush.
2. Push the brush all the way through the muzzle brake several times. Repeat step 2 as many times as needed until all powder residue has been cleaned from the bore of the brake. Use of a plastic bristle gun cleaning brush will help to clean the threads and exterior of the muzzle brake.
3. Insert a patch saturated with gun lubricant into the cleaning rod tip and push it through the muzzle brake. Remove the patch and withdraw the rod.
4. Insert a dry, clean patch into the cleaning rod tip and push it through the muzzle brake to remove excess lubricant. Remove the patch and withdraw the rod.
5. Using a patch or clean cloth, apply a light coat of gun lubricant to the outside surfaces of the muzzle brake, being careful to remove any excess lubricant.

## CLEANING THE MAGAZINE

1. Using a lint-free cloth, clean the inside of the magazine, follower and spring with gun-cleaning solvent; and dry thoroughly with a clean cloth.
2. With a clean cloth or patch, apply a light coat of gun lubricant to inside surface of the magazine and to the follower and spring.

## CLEANING THE TRIGGER GUARD ASSEMBLY

1. Using a small lint-free cloth, clean the outside of the trigger guard assembly and with a clean tooth brush, brush the exposed surfaces of the trigger guard assembly with gun-cleaning solvent; and dry thoroughly with a clean cloth.

## CLEANING THE STOCK

Usually, wiping the stock with a clean, dry cloth or a silicon cloth is all that is necessary. If you have been hunting or shooting in wet weather, allow the stock to dry thoroughly before storage.

## RUST PREVENTION AND REPAIR

During normal maintenance, after a thorough cleaning, allow 2-3 hours at room temperature, for all metal parts to dry completely. Then apply a liberal amount of high grade Gun Oil to all metal parts, wiping off any excess with a clean dry cloth. If rusting does occur it may only be surface rust due to excessive moisture. You may be able to clean it by using a plastic bristle gun cleaning brush and gun cleaning solvent. If you are unable to remove rust on your rifle, please contact a Weatherby Authorized Service Center or qualified gunsmith. Immediate attention to this problem is imperative to prevent irreparable rust damage.

**DO NOT ALLOW RUST TO GO UNTREATED!**

## ASSEMBLY OF WEATHERBY® VANGUARD® SERIES 2 RIFLE

### ASSEMBLY OF BARREL AND RECEIVER TO STOCK

1. With the barreled action resting upside down on a horizontal surface such as a workbench or table, place the stock onto the barreled action, aligning the recoil lug and the trigger guard screw holes.
2. Insert the magazine box, seating it completely against the receiver.
3. Insert the trigger guard assembly with its follower and spring into the stock and hold in place.
4. Insert the trigger guard screws and, with a screw driver of proper size, lightly seat the screws while holding the rifle in a vertical position with the butt down. Pull down on the barrel to help seat the recoil lug on the receiver with the mating surface in the stock.
5. Tighten the trigger guard screws to the proper torque and in the proper sequence as follows. Always tighten the rear screw first to a torque of 35 inch pounds, followed by a torque of 35 inch pounds to the front screw. For wood and synthetic stocks this is the final torque value that should be used. On composite stocks with aluminum bedding blocks, apply additional torque to 55 inch pounds to the rear screw followed by 55 inch pounds to the front screw.

### TRIGGER ASSEMBLY ADJUSTMENT

The Vanguard® Series 2 trigger assembly has one adjustment screw. The adjusting screw on the front of the trigger assembly adjusts for the weight of the trigger pull, and is for your use.

#### ***WARNING!!***

Do not attempt to adjust sear engagement, make any adjustments other than as described below, or modify the trigger assembly in any way. Improper adjustment or modification of any firearm trigger assembly can result in the firearm discharging prematurely due to “hair trigger”, minor bumps or movement, possibly resulting in serious injury or death.

The trigger assembly has been set at the factory for weight of trigger pull appropriate for most shooters. If you require a heavier or lighter weight of trigger pull, adjust as follows:

1. Unload the rifle (*refer to Unloading the Rifle, page 9*), remembering to **VISUALLY CHECK THE CHAMBER AND THE MAGAZINE TO BE CERTAIN THERE ARE NO CARTRIDGES IN THE RIFLE.**
2. Remove the trigger guard and stock (*refer to Disassembly of the Vanguard® Series 2 Rifle, page 10*).
3. Loosen the lock nut on the front adjusting screw (ref. Fig. 8).
4. To increase weight of the trigger pull, with a screw driver of proper size turn the front adjusting screw clockwise (when viewed from the front) until desired weight of trigger pull is established. To



- decrease weight of trigger pull, with a screw driver of proper size turn the front adjusting screw counter-clockwise (when viewing from the front) until desired weight of trigger pull is established.
5. Tighten the lock nut on front adjusting screw securely.
  6. Replace stock and trigger guard assembly (*refer to Reassembly of Vanguard® Series 2 Rifle, steps 3 thru 9 page 11*).

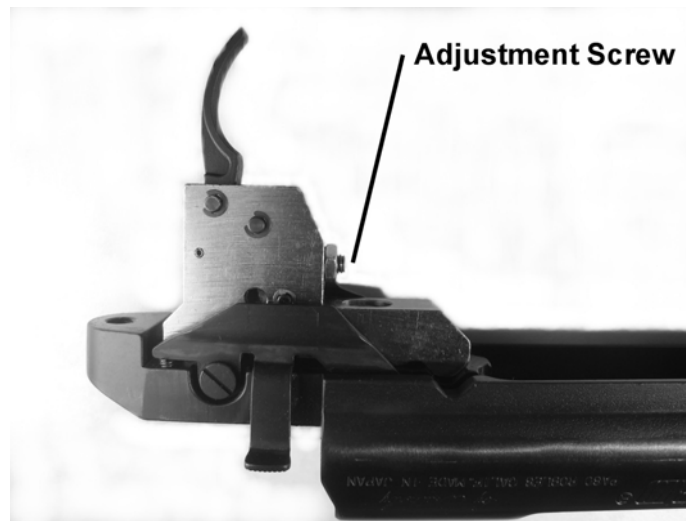


Fig. 8

NOTE: For safety reasons, weight of trigger pull can not be adjusted below approximately 2-1/2 pounds.

## STORING YOUR RIFLE

Your Weatherby® Vanguard® Series 2 Rifle may be stored fully assembled.

If storing your rifle fully assembled, release the pressure on the hammer spring as follows:

1. Make certain the rifle is not loaded by following proper unloading procedures (*refer to Unloading the Rifle, Page 9*).
2. With the bolt open and ***Pointing the muzzle of the rifle in a safe direction***, pull the trigger slightly while closing the bolt.

Do not store your rifle in a leather case, scabbard or foam lined gun case. Leather and foam can attract moisture and cause rusting.

For your safety, and the safety of others, store your rifle out of the reach of children, either in a gun safe or with a lock or other safety device properly installed; and store your ammunition in a separate, locked location, also out of the reach of children.

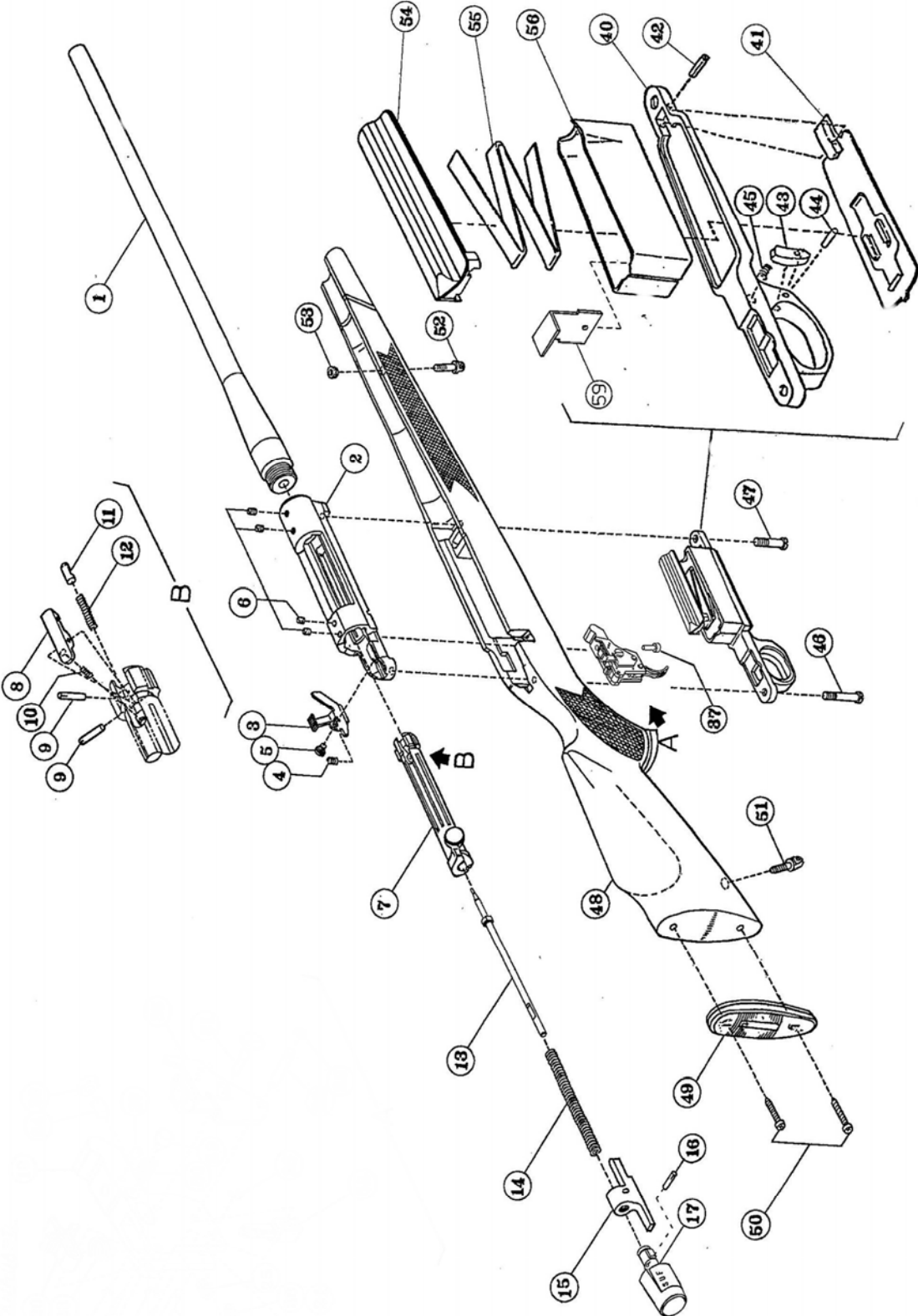
**SUGGESTIONS FOR GETTING TOP  
PERFORMANCE FROM YOUR  
WEATHERBY® VANGUARD® SERIES 2  
RIFLE**

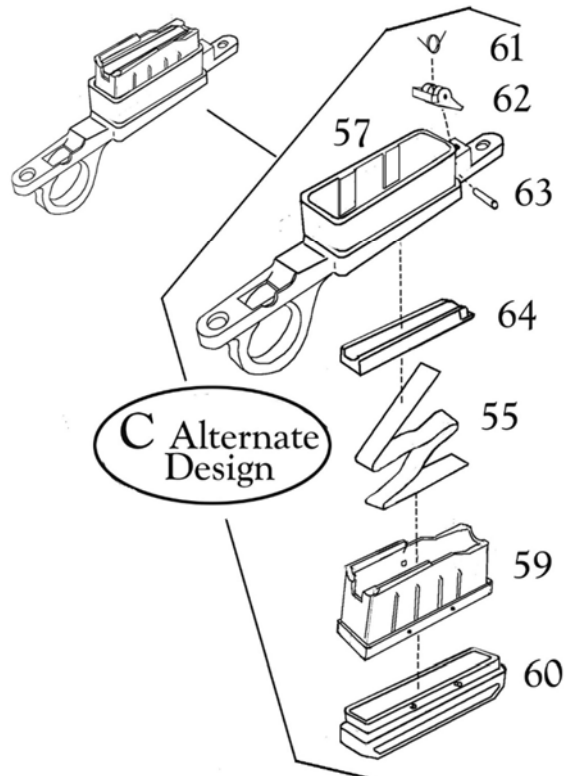
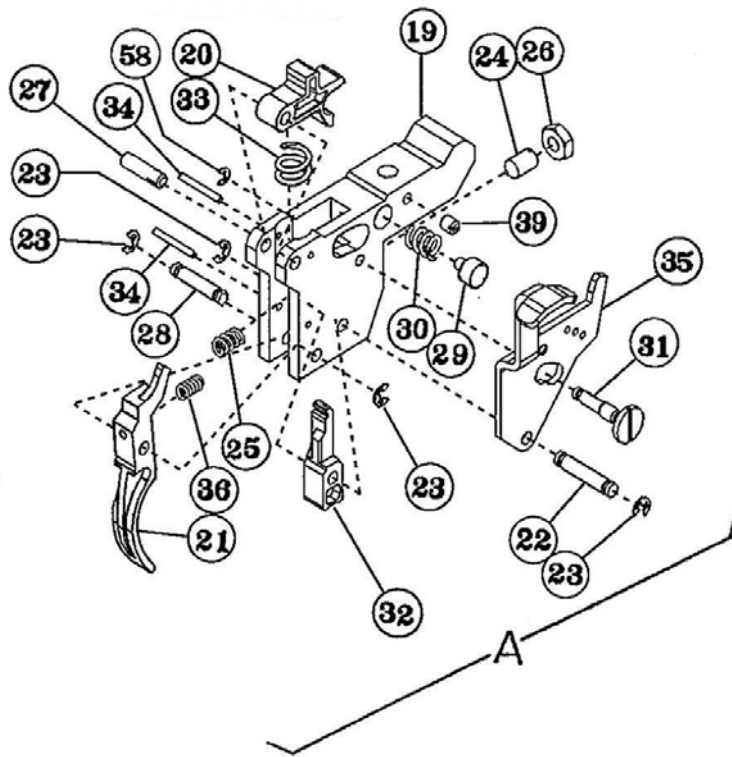
1. *With the rifle unloaded*, check and tighten muzzle brakes frequently -- before, during and after shooting. Muzzle brake threads may loosen with repeated recoil, which may result in changes in point of impact or damage to muzzle brakes or barrel threads with extended use.
2. Make sure that all trigger guard screws are tightened before firing the rifle. Always tighten the rear guard screw first and the front last (refer to **ASSEMBLY OF WEATHERBY® VANGUARD® SERIES 2 RIFLE** . Loose trigger guard screws not only contribute to inaccuracy but can also cause stock damage. **Check these screws periodically** as recoil and atmospheric conditions can cause them to work loose.
3. Be sure your scope is secure. Loose mount screws are a definite source of inaccuracy. If you experience accuracy problems it is our recommendation that you contact your local gunsmith or an Authorized Weatherby Service Center to check your scope.
4. The condition of the bore is important in obtaining optimum accuracy from your rifle. Be sure to follow the instructions for "*Cleaning the Bore*" on page 13.
5. The accuracy of any firearm can vary depending upon the brand and type of ammunition used in it. If your rifle does not exhibit the consistent point of impact you expect, you should try several brands and types of ammunition, after referring to point 1, above, before concluding that it is "inaccurate".

**DO NOT ALTER THE STOCK BEDDING IN ANY WAY. Once a stock has been altered, it cannot be reworked by our Service Department or a Weatherby Authorized Service Center.**

6. Consult the factory before returning any product for inspection or repair.

EXPLODED VIEW DIAGRAM





## PARTS LIST

- 1) Barrel
- 2) Receiver
- 3) Bolt stop
- 4) Spring, bolt stop
- 5) Screw, bolt stop guide
- 6) Screw, plug
- 7) Bolt
- 8) Extractor
- 9) Pin, extractor (2)
- 10) Spring, extractor
- 11) Ejector
- 12) Spring, ejector
- 13) Firing pin
- 14) Spring, firing pin
- 15) Cocking piece
- 16) Pin, firing pin retaining
- 17) Bolt sleeve
- 19) Trigger housing
- 20) Sear
- 21) Trigger
- 22) Pin, trigger
- 23) Retaining C-clip (2)
- 24) Screw, trigger adjusting (front)
- 25) Spring, trigger
- 26) Nut, lock (2)
- 27) Pin, sear
- 28) Pin, Trigger
- 29) Safety plunger
- 30) Spring, safety
- 31) Screw, safety lever
- 32) Actuator
- 33) Spring, sear
- 34) Pin, sear stopping
- 35) Safety lever
- 36) Spring, trigger
- 37) Screw, trigger housing
- 39) Screw, slotted set
- 40) Trigger guard
- 41) Floor plate
- 42) Pin, floor plate
- 43) Floor plate release
- 44) Pin, floor plate release
- 45) Spring, floor plate release
- 46) Screw, trigger guard (rear)
- 47) Screw, trigger guard (front)
- 48) Stock
- 49) Recoil pad
- 50) Screw, recoil pad (2)
- 51) Sling swivel stud (rear)
- 52) Sling swivel stud (front)
- 54) Magazine follower
- 55) Spring magazine follower
- 56) Magazine box
- 57) Trigger guard
- 59) Magazine box top
- 60) Magazine box bottom
- 61) Spring release
- 62) Magazine release
- 63) Pin, magazine release

## WEATHERBY SERVICE POLICY

Weatherby<sup>®</sup> is a name that has been synonymous with quality firearms for over 50 years. All Weatherby<sup>®</sup> firearms are manufactured of the finest materials and have been thoroughly inspected and tested in every phase of production. Because of the confidence we have in our products, Weatherby Inc., does not provide a written warranty, but rather stands behind its reputation for customer service and satisfaction.

Simply stated, we will consider requests for service or repair of Weatherby<sup>®</sup> firearms without charge on a case by case basis. A determination will be made taking into consideration such things as the age and condition of the firearm, and the circumstances surrounding its malfunction or other problem.

Weatherby, Inc. will not be responsible for defects resulting from ordinary wear and tear, alterations by unauthorized persons, accidents, misuse, use of incorrect or other than factory loaded ammunition, or failure to provide reasonable and normal maintenance.

Should any Weatherby<sup>®</sup> firearm require service or repair under this service policy, it must be delivered transportation prepaid to a Weatherby Authorized Service Center (names and addresses available upon request). The product must be accompanied by a proof of purchase and a letter explaining the problem. It should also be insured by the owner at the time of shipment, as Weatherby, Inc. can accept no responsibility for damage or loss in transit. Weatherby will pay all charges to return the product to the owner if it is accepted for service or repair without charge under the provisions of this service policy. Weatherby, Inc. also reserves the right to repair or replace any product at our sole discretion.

**WEATHERBY, INC. SHALL NOT BE LIABLE FOR ANY CONSEQUENTIAL, INCIDENTAL OR CONTINGENT DAMAGES.**

## TEN COMMANDMENTS OF FIREARMS SAFETY

Prevention is the solution to hunting and shooting casualties. Every hunting and shooting accident that has occurred could have been prevented. Most such accidents happen as a result of people ignoring basic firearms safety rules. Prevention involves knowing and obeying those basic safety rules. Responsible, knowledgeable, and safe hunters and shooters will learn, remember and follow these simple rules:

1. Treat every firearm with the same respect due a loaded firearm.
2. Control the direction of your firearm's muzzle. Carry your firearm safely, keeping the safety on until ready to shoot. Keep your finger off the trigger until ready to shoot.
3. Identify your target and what is beyond it. Know the identifying features of the game you hunt or the targets you intend to shoot.
4. Be sure the barrel and action are clear of obstructions and that you have only ammunition of proper size for the firearm you are carrying.
5. Whenever not in use, keep your firearm unloaded and store all ammunition in a separate location.
6. Never point a firearm at anything you do not want to shoot. Avoid all horseplay with a firearm.
7. Never climb a fence or tree, or jump a ditch or log, with a loaded firearm. Never pull a firearm toward you by the muzzle.
8. Never shoot at a flat hard surface or water. During target practice, be sure your backstop or shot-fall area is adequate.
9. Store firearms and ammunition separately beyond the reach of children and careless adults.
10. Avoid alcoholic beverages or other mood-altering drugs before or while shooting.

### EXERCISE EXTREME CAUTION

**Heed and follow these additional gun handling warnings whenever using any firearm**

- Be sure the barrel is clear of any obstruction before loading. Make it a habit to check the barrel every time before reloading.
- Never place a loaded gun into a vehicle or lean the gun against any object. The gun should be emptied and placed into a case when not in use.
- Keep the safety on at all times. Move the safety to the "FIRE" position only when you are sure that a shot is imminent.
- While loading or unloading, make sure the gun is pointed in a safe direction. Keep your finger off the trigger while operating the action.
- Treat every gun as if it is loaded - it may be!
- If you do not thoroughly understand the proper use and care of your gun, seek the advice of someone you know is competent.
- Do not abuse your hunting privileges. Be respectful of others and other people's property.

Weatherby®

VANGUARD® SERIES 2 RIFLE  
OWNER'S MANUAL

WEATHERBY® and VANGUARD® are registered trademarks of Weatherby, Inc.

Revised 03/17/2012



