

## *Owner's Manual*

# AP5 SERIES OF SEMI-AUTO PISTOLS



Congratulations on your purchase of the AP5, AP5-M or AP5-P. With proper care and handling, it will give you long, reliable service. The AP5 series are semi-automatic pistols chambered for the 9mm cartridge.

We specifically disclaim any responsibility for damage or injury whatsoever, occurring as a result of the use of faulty, non-standard or remanufactured ammunition, any modifications or changes made to the firearm; improper use or unsafe handling of the firearm.

Always keep this manual with your firearm. Make sure you understand all the warnings, operation instructions and safety procedures. When you lend, give or sell the firearm, be sure this manual goes with it. You can get a copy of this manual from Century Arms on request.

**FIREARMS SAFETY IS THE SOLE RESPONSIBILITY OF THE SHOOTER. ALWAYS TREAT ALL FIREARMS AS IF THEY WERE LOADED AT ALL TIMES!**



**Warning:** This product can expose you to chemicals including lead, which is known to the state of California to cause cancer and birth defects or other reproductive harm. For more information go to [WWW.P65WARNING.CA.GOV](http://WWW.P65WARNING.CA.GOV)



### **IMPORTANT!**

READ ALL INSTRUCTIONS AND WARNINGS IN THIS BOOKLET BEFORE USING THIS FIREARM.

© 2020 Century Arms. All rights reserved.



### **IMPORTANT SAFETY MESSAGE**

Children are attracted to and can operate firearms which can cause severe injuries or death. Prevent child access by always keeping gun locked, unloaded and separated from ammunition when not in use. If you keep a loaded firearm where a child obtains and improperly uses it, you may be fined or sent to prison.

### **Firearm Safety Depends on You**

A gun is only as safe as the person operating it. You can never be overly careful when handling a firearm. Carelessness is often the cause of shooting accidents, such as failing to keep the muzzle pointed in a safe direction, not being sure of your target and what is behind it, failing to properly engage the safety, leaving ammunition in the chamber or using improper loads. Since a bullet can never be called back once fired, such errors in gun handling can result in the loss of life, severe injury or property damage thus, it is crucial for your safety and the safety of those around you that you learn the principles of safe gun handling and storage before you begin to use your new firearm. Be a safe shooter - please read this instruction book thoroughly even if this is not your first firearm purchase as not all firearms are the same. The first step in being a safe shooter is to learn the rules for the safe operation and handling of firearms. **There is nothing more important in gun handling than safety.**

### **THE TEN COMMANDMENTS OF FIREARM SAFETY**

The Ten Commandments of Firearm Safety must be etched into your memory before you begin to handle firearms. These rules are intended to be followed by all persons handling firearms in the field, on the range or at home. Please read, review and understand these rules before you begin to use or even take your new firearm out of its box. Remember, firearms safety depends on you! Memorizing these safety rules will help prevent gun accidents. Please study these safety rules before handling your firearm.

### **Commandment #1**

#### **Always Keep the Muzzle Pointed in a Safe Direction**

This is the most basic and most important safety rule. A safe direction is one in which an accidental discharge will not cause injury to yourself, to others or property damage. This is particularly important when loading or unloading your firearm. Never point your gun at anything you do not intend to shoot. Treat every gun as if it were loaded at all times.



### **Commandment #2**

#### **Firearms Should Be Unloaded When Not Actually in Use**

**Firearms should only be loaded when you are in the field or on the target range or shooting area, ready to shoot.** When not in use, firearms and ammunition should be secured in a safe place, separate from each other. Remember to unload your firearm completely so that there is no ammunition in the chamber or magazine. Before handling this or any firearm, or handing it to someone else, visually check the chamber. Never assume a gun is unloaded - even if you were the last person to use it. Never cross a fence, climb a tree, wade through a stream or perform any awkward movement with a loaded gun. When in doubt, unload your gun! Never pull or push a loaded firearm toward yourself or another person. Never carry a loaded gun in a scabbard, a holster not being worn or a gun case - common sense prevails in gun safety!



### **Commandment #3**

#### **Don't Completely Rely on Your Gun's Safety**

**Treat every gun as though it could fire at any time, even if you are not applying pressure to the trigger.** The "safety" on a firearm is a mechanical device which, like any such device, can become inoperable at the worst possible time and fail to function. By mistake, you may think the safety is "ON" when it actually is not. Or you may think your gun is unloaded when there is actually a round of ammunition in it. The safety serves as a supplement to proper gun handling but cannot serve as a substitute for common sense. Never handle a gun carelessly and assume that the gun won't fire just because "the safety is on." Never touch the firearm's trigger until you are ready to shoot. Keep your fingers away from the trigger when loading or unloading. Never pull the trigger when the safety is engaged or when the safety is positioned between the "SAFE" and "FIRE" positions.



#### **Alcohol, Drugs and Guns Don't Mix. Make No Mistake About It!**

Never handle firearms after consuming alcohol or taking drugs that can affect your judgment. Shoot sober! Alcohol, certain kinds of drugs and firearms don't mix. Safe firearms handling requires alertness and concentration on one's actions. You cannot handle a firearm safely after consuming alcohol. Never consume anything that can impair your judgment or physical coordination when handling a firearm.

## **Commandment #4**

### **Be Sure of Your Target - And What Is Beyond It!**



**Once fired, a bullet (or shot charge) can never be called back; so before you shoot, know where the bullet is going and what it will strike.** Be certain your shot will not injure someone or strike something beyond the target. Never fire in the direction of noise, a movement or at any object you cannot positively identify. Be aware that a .22 Short bullet can travel over 1 ¼ miles. A centerfire cartridge, such as the .30-06, can send its bullet over 3 miles. Shotgun pellets can travel 500 yards and a shotgun slug has a range of over a half mile. Make sure your shot has a safe backstop such as a hillside. Keep in mind how far the bullet will travel if it misses your intended target. You are responsible for your actions and judgment.

## **Commandment #5**

### **Use the Correct Ammunition**



**Every firearm is designed to use a certain caliber or gauge of ammunition. It is important that you use the correct ammunition for your firearm.** Information on the correct ammunition to use with your firearm appears in the firearm's instruction manual and the manufacturer's markings on the firearm itself. Use of the wrong ammunition, improperly reloaded ammunition or corroded ammunition can result in the destruction of the firearm, serious personal injury and/or death. Form the habit of examining every round of ammunition before you put it into your gun to ensure it is of the proper gauge or caliber and that it is in good condition.

## **Commandment #6**

**If Your Gun Fails to Fire When the Trigger Is Pulled, Handle With Care. If a cartridge or shell does not fire when the trigger is pulled, follow Commandment #1 and keep the firearm's muzzle pointed in a safe direction.** Keep the muzzle down range with the action closed and wait at least 30 seconds (to ensure that the ammunition is not delayed in firing) before carefully opening the action, taking care to avoid exposure to the breech area and unloading the firearm and safely disposing of the ammunition.



## **Commandment #7**

### **Always Wear Eye and Ear Protection When Shooting**



**Exposure to shooting noise can permanently damage hearing. Flying debris, such as powder residue and ejected cartridge cases, can injure your eyes.** Thus, it is only common sense to wear both eye protection (such as shooting glasses) and ear protection (such as a sound-muffling headset) whenever shooting. Also, wear eye protection when cleaning or disassembling your gun to ensure that cleaning solvent and tensioned parts (such as springs) do not come into contact with your eyes.

## **Commandment #8**

**Be Sure the Barrel Is Clear of Obstructions Before Shooting. Discharging a firearm with an obstruction in the barrel can result in personal injury, property damage and/or death.** Before you load your firearm, check the chamber and magazine to ascertain that no ammunition is inside. Also, check the inside of the barrel (called the "bore") to ensure it is free of obstructions. Even a small amount of mud, snow or excess lubricating oil or grease in the bore can cause excessive pressures resulting in a bulged or burst barrel which can injure or kill the shooter and bystanders. It is a good idea to make a habit of cleaning the bore and checking for obstructions with a cleaning rod just before each shooting session. If the noise or recoil experienced upon firing seems low or weak, or something doesn't feel "right," cease firing immediately and check to make sure that there is no obstruction in the barrel. Placing an undersized shell or cartridge into a gun (such as a 20 gauge shell in a shotgun chambered for 12 gauge ammunition) can result in the smaller round of ammunition falling into the barrel and acting as an obstruction. When a round is subsequently fired, the barrel may burst, causing injury to the shooter and bystanders. For reference, re-read Commandment #5.



## **Commandment #9**

**Do Not Alter or Modify Your Gun and Have It Serviced Regularly.** Firearms are complex mechanisms that are designed to function properly in their original condition. Any alterations or changes made to a firearm after its manufacture can make the gun unsafe and will void its warranty. Do not jeopardize your safety or the safety of others by altering the trigger, mechanical safety or other mechanisms of your firearm. You should have your firearm periodically checked for proper functioning and serviced by a qualified gunsmith.





## **Commandment #10**

**Learn the Mechanical and Handling Characteristics of Your Firearm.** Not all firearms operate the same way. The method of carrying, handling and operating firearms varies with the mechanical characteristics of each gun. Thus, you should never handle any firearm until you become familiar with the safe handling, loading, unloading and carrying procedures for that particular firearm, as well as the rules for safe gun handling in general.



### **LEAD WARNING!**

Discharging firearms in poorly ventilated areas, cleaning firearms or handling ammunition may result in exposure to lead and other substances known to cause birth defects, reproductive harm and other serious injuries. Have adequate ventilation at all times when shooting. Wash hands thoroughly after exposure.

### **Basics of Safe Gun Handling**

1. Always keep the muzzle pointed in a safe direction.
2. Firearms should be unloaded when not actually in use.
3. Don't totally rely on your gun's safety.
4. Be sure of your target and what is beyond it.
5. Use the correct ammunition for your firearm.
6. If your gun fails to fire when the trigger is pulled, handle with care.
7. Always wear eye and ear protection when shooting and cleaning.
8. Be sure the barrel is clear of obstructions before shooting.
9. Don't alter or modify your firearm and have your firearm(s) serviced regularly.
10. Learn the mechanics and handling characteristics of the firearm you are using.

Safe gun handling depends on you! A safe shooter is a knowledgeable shooter.



**WARNING!** STOP SHOOTING IMMEDIATELY AND UNLOAD YOUR FIREARM if your firearm develops a mechanical malfunction; binding or stoppage, spitting powder/gas, a cartridge primer is punctured, a cartridge case is bulged or ruptured, or the sound on firing does not sound quite right. Do NOT try one more shot, but unload your firearm and take it and the ammunition to a qualified gunsmith or send it back to Century Arms for examination. Do not assume that the firearm is empty merely because you checked the chamber. You must also check the bore for any obstruction.



**WARNING!** Always ensure that the ammunition you are using is clean, undamaged and of the proper caliber before loading your pistol. The manufacturer and distributor of this pistol disclaim any liability for the use of remanufactured, reloaded or hand-loaded ammunition. Protect your investment in this fine firearm by using only factory fresh, quality ammunition. The use of improper caliber or low quality ammunition could result in injury, death and/or property damage upon firing. Remember, firearms safety depends on you! Follow all warnings provided by the manufacturer of the ammunition you are using.



**LEGAL NOTICE!** Installation of a shoulder stock to this pistol will result in you possessing a short barreled rifle under the National Firearms Act "NFA". Possession of an NFA firearm without first securing a license and Tax Stamp from the BATFE is a crime.

## **Specifications:**

### **AP5 SERIES OF PISTOLS**

- Utilize roller-lock, delayed blowback operating system.
- Are manufactured with cold hammer forged chrome moly vanadium barrels.
- Carry their serial numbers on the top portion of the receivers.
- Are chambered for the 9x19 mm cartridge!

# AP5 PISTOL

## Technical Specifications



Illustration # 1 AP5 Pistol

Ammunition	9x19 mm Parabellum
Operation	Semi-automatic, magazine-fed, roller-lock, delayed blowback
Sights	Rear drum for elevation and windage, front fixed protected post
Magazine	30-round steel (also available in 15 round and 10 round)
O/A Length	17.9 inches
Barrel Length	8.9 inches
Barrel Twist	1:9.8 inches
Barrel Lands/Grooves	6
Barrel	Cold hammer forged 32 chrome molybdenum vanadium
Fluted Chambers	16
Colors	Black
Weight Empty	5.5 pounds
Additional	Barrel has 3-lug quick attachment and 1/2x28 threaded end.
Includes	Rugged plastic carry case, two (2) 30-round magazines, factory cleaning kit, factory Picatinny style optics mount, factory sling.

# AP5-M Pistol



Illustration # 2 AP5-M Pistol

## Technical Specifications

<b>Ammunition</b>	9x19 mm Parabellum
<b>Operation</b>	Semi-automatic, magazine-fed, roller-lock, delayed blowback
<b>Sights</b>	Rear drum for elevation and windage, fixed front protected post
<b>Magazine</b>	30-round steel (also available in 15 round and 10 round)
<b>O/A Length</b>	12.79 inches
<b>Barrel Length</b>	4.6 inches
<b>Barrel Twist</b>	1:9.8 inches
<b>Barrel Lands/Grooves</b>	6
<b>Barrel</b>	Cold hammer forged 32 chrome molybdenum vanadium
<b>Fluted Chambers</b>	16
<b>Colors</b>	Black
<b>Weight Empty</b>	4.43 pounds
<b>Additional</b>	Short barrel; no lug.
<b>Includes</b>	Rugged plastic carry case, two (2) 30-round magazines, factory cleaning kit, factory Picatinny style optics mount, factory sling.

# AP5-P PISTOL



Illustration # 3 AP5-P Pistol

## Technical Specifications

Ammunition	9x19 mm Parabellum
Operation	Semi-automatic, magazine-fed, roller-lock, delayed blowback
Sights	Rear drum for elevation and windage, fixed front protected post
Magazine	30-round steel (also available in 15 round and 10 round)
O/A Length	13.7 inches
Barrel Length	5.8 inches
Barrel Twist	1:9.8 inches
Barrel Lands/Grooves	6
Barrel	Cold hammer forged 32 chrome molybdenum vanadium
Fluted Chambers	16
Colors	Black
Weight Empty	4.6 pounds
Additional	Barrel has 3-lug quick attachment and 1/2x28 threaded end.
Includes	Rugged plastic carry case, two (2) 30-round magazines, factory cleaning kit, factory Picatinny style optics mount, factory sling.

# AP5 SERIES of PISTOLS MAJOR ASSEMBLY GROUPS



Illustration # 4 Major Assembly Groups



AP5-M and AP5-P Butt Cap & Pins



AP5-M and AP5-P hand guard

1. Receiver and Barrel Assembly	6. Take-down pin (AP5-M and AP5-P use two for butt cap)
2. Bolt Carrier Assembly	7. Magazine Assembly
3. Trigger Housing Assembly	8. Picatinny Rail
4. Butt Cap (AP5-M and AP5-P use different Butt Cap & Pins)	9. Rear Take-down Pin (only AP5)
5. hand guard (AP5-M and AP5-P use Shorter hand guard)	10. Thread Protector



## Receiver and Barrel Assembly

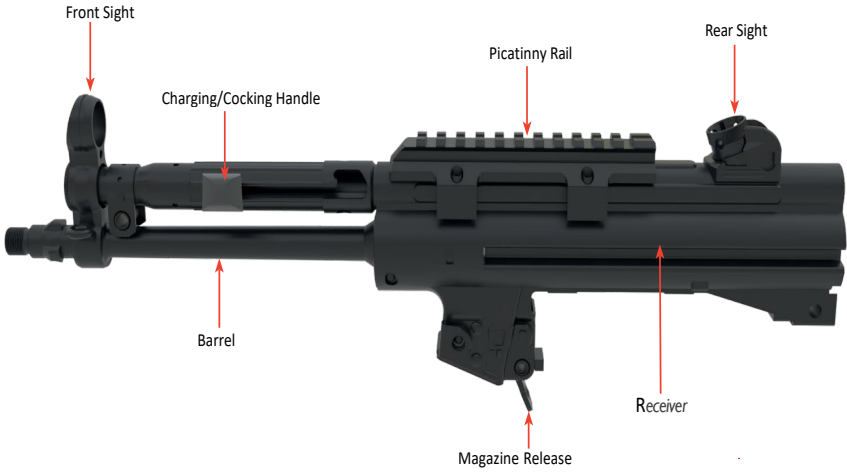


Illustration # 5- Receiver and Barrel

Barrel, charging (cocking) handle, Picatinny rail, and both sights are attached to the receiver. The muzzle has a 3-lug quick detach system for a muzzle brake or suppressor and has a 1/2x28 threaded end for alternate suppressor attachment.

The barrel is attached to the trunnion with a barrel retention pin (not removable). The charging handle is located above the barrel and is used to load a round and can be used to lock the bolt back to put the firearm in a safe condition.

The front sight is a fixed blade in a protected ring, and the rear sight is a protected drum, adjustable for windage and elevation. This drum has four apertures corresponding to various light conditions.

The Picatinny rail is attached to the receiver by way of four socket head cap screws and wedge-nuts.

## Bolt Carrier Assembly



Illustration # 6 Bolt Carrier Assembly

The bolt carrier slides into the receiver and mates with the recoil spring. The bolt carrier slides forward to chamber the next round, engages the rollers to lock the bolt, releases the firing pin to fire the weapon and then moves rearward to eject the spent casing and re-cock the firing pin.

# Bolt Carrier Assembly contains the following parts:

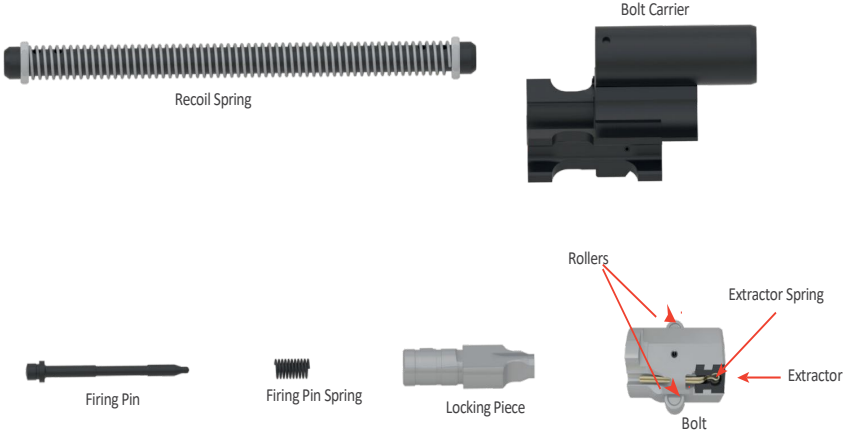


Illustration # 7 Bolt Carrier Assembly Exploded

# Trigger Housing Assembly



Illustration # 8 Trigger Housing Assembly

## Trigger Pack, Axle and Safety Lever

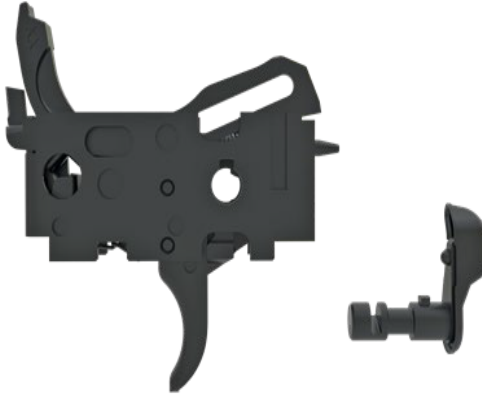


Illustration # 9 Trigger Pack, Axle and Safety Lever

The trigger housing is held in place by two take-down pins that can be fully removed by sliding them out. The trigger housing forms the pistol grip and contains the trigger pack and its associated parts, such as the hammer, trigger, and sears. Removal of the axle (Safety Lever) facilitates removal of the trigger pack. It is recommended that only a certified armorer initiate disassembly of the trigger pack.

## Butt Cap



Illustration # 10 AP5 Single Pin, AP5-M and AP-P Butt Cap

This Component is held in place by take down pins, which can be fully removed by sliding them out.

## hand guard



Illustration # 11 AP5 hand guard

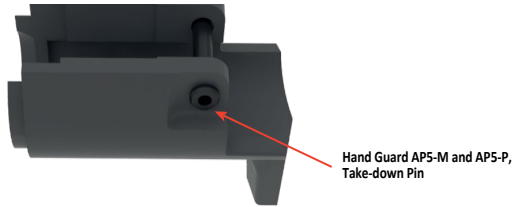


Illustration # 12 AP5-M and AP5-P hand guard

The hand guard is attached under the barrel to the receiver and held in place by a pin. The hand guard protects the shooter from the heat of the barrel. There are several different hand guard options.

## Magazine Assembly

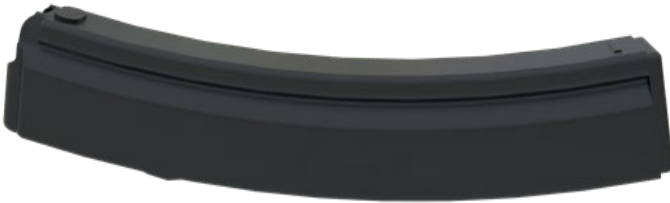


Illustration # 13 Magazine

The metal magazine assembly holds 30 rounds.

**Magazine contains the following parts:**

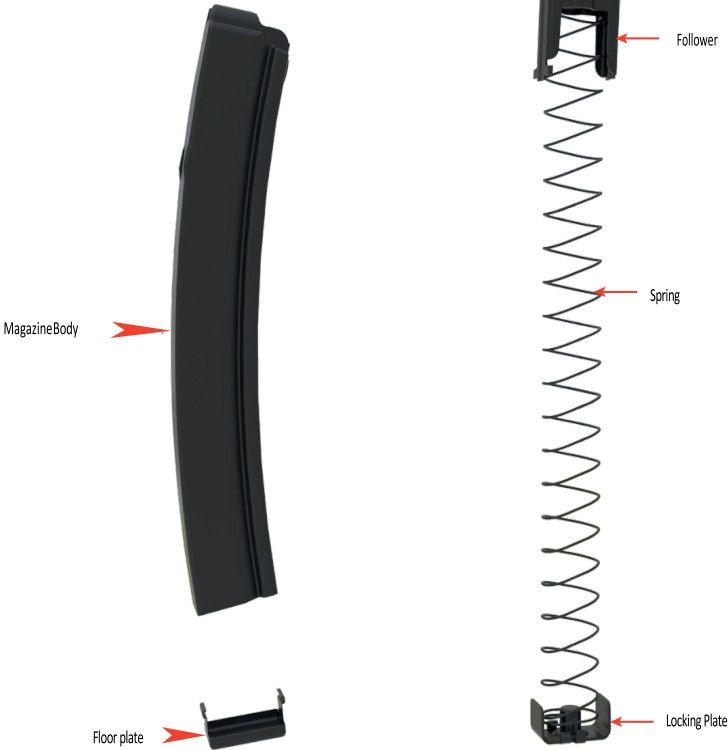


Illustration 14 Magazine Assembly Parts

# Picatinny Rail

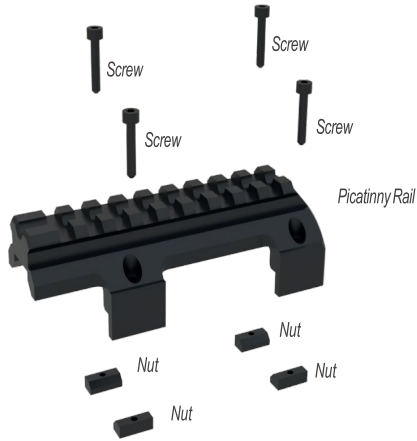


Illustration # 15 Picatinny Rail

The Picatinny rail is manufactured to the MIL-STD-1913 and is attached to the top of the receiver by way of four socket head cap screws and four wedge-nuts that hold it firmly in place. This is used for quick connection of optics.

## Safety and Fire Selector Operation

### Selecting the Firearm to the Safe Position



Illustration # 16 Safe Position

To place the firearm in the safe position, rotate the safety lever, located on the left side of the trigger housing, up to "S" (Safe) or "0" position. This will lock the trigger and the firearm cannot be fired.

## Selecting the Firearm to the Fire Position



Illustration # 17 Fire Position

To place the firearm on fire, rotate the safety lever, located on the left side of the trigger housing, down to "F" (fire) or "1" (1 round). This will select the fire mode, where one pull of the trigger will fire one round and reload the next round.

### To Load the Pistol



**WARNING!** Before loading, make sure the inside of the barrel is free of dirt or other obstructions.

**WARNING!** Always check each cartridge to ensure it is of the correct caliber and in good condition before loading the firearm.

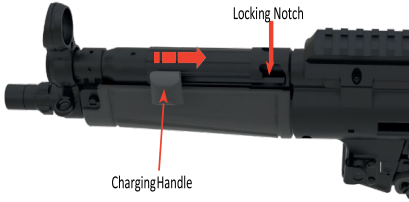
**WARNING!** Never load a firearm indoors. An accidental discharge will cause property damage, serious injury and/or death! Never use live ammunition to function test your pistol indoors.

**WARNING!** Keep fingers away from the trigger while loading.

**WARNING!** Keep muzzle pointed in a safe direction.

1. Place the safety lever in the "S" (Safe) or "0" position. (See Illustration #16.)
2. Pull the Charging (cocking) handle rearward. When the handle is fully rearward rotate it up until it engages in the locking notch. This will lock the bolt open. (See Illustration #18.)
3. Load the magazine with the correct ammunition by pressing the cartridges one at a time into the magazine's feed lips. When loading the rounds into the magazines ensure the base of the cartridge is in contact with the back of the magazine.
4. Pick up the firearm with your primary hand and the magazine with your other. Insert the magazine into the magazine well.
5. Press the magazine in until you feel the magazine catch engage. You should hear an audible click when it locks into place, pull down on the magazine to ensure it has locked into position properly.
6. Keep the muzzle pointed in a safe direction with fingers away from the trigger.
7. While holding the firearm in your primary hand, use the other hand to slap the charging handle downward, disengaging it and allowing it to fly forward. As it moves rapidly forward under spring pressure, the bolt will strip a round from the magazine and insert it into the chamber. The pistol is now loaded and ready to fire.
8. CAUTION: WHEN RELEASING THE CHARGING HANDLE, BE SURE TO AVOID PINCHING HAZARDS AS IT IS UNDER PRESSURE FROM THE RECOIL SPRING. IT IS IMPORTANT TO ALLOW THE CHARGING HANDLE TO MOVE FREELY FORWARD UNDER SPRING TENSION. DO NOT ATTEMPT TO EASE THE CHARGING HANDLE FORWARD AS THIS MAY CAUSE A MISFEED.
9. Ensure the safety is still in the "SAFE POSITION." (See Illustration #16.)

- a. Ensure the firearm is selected to safe "S" (Safe) or "0" position
- b. Pull the charging/cocking handle rearwards towards the locking notch



- c. Engage charging handle into locking notch.



- d. Insert the magazine into the magazine well until it locks in place.



- e. While holding the firearm in your primary hand, use the other hand to slap the charging handle downward, disengaging it, allowing it to fly forward.



Illustration # 18 Loading Procedures





**WARNING!** The pistol is now loaded and will fire if the safety lever is moved downward to the “F” (Fire) or “1” (1 round) position and the trigger is pulled! Handle with extreme caution and keep the muzzle (the end of the barrel) pointed in a safe direction!

#### To Fire the Pistol

1. Keeping the **10 Commandments of Firearm Safety** in mind, aim the pistol downrange at the target. When firing this pistol you may need to experiment with different shooting styles until you find the method which best suits your sporting activity. Remember to always fire the pistol in such a manner that you can maintain a safe muzzle direction at all times.
2. Disengage the safety lever by moving it to the “F” (Fire) or “1” (1 round) position. (See Illustration #17.)
3. After aligning the sights on your target, place your finger inside the triggerguard and on the trigger.
4. Keep your sights aligned on the target. Slowly pull the trigger to fire the first round.
5. Being a semi-automatic pistol, the pistol's action (its moving parts) will cycle after the first round is fired. As the bolt moves rearward, the extractor will pull the empty cartridge case from the chamber and eject it from the pistol. (Make sure there are no bystanders in close proximity on either side of the pistol who could be injured by the ejected cartridge case or gasses expelled from the pistol.)



**NOTE:** *If the trigger is pressed again, the pistol will fire! Keep the pistol pointed in a safe direction. Keep your fingers away from the muzzle when firing the pistol.*

6. Firing may be continued in this manner until the magazine is empty.
7. When firing is finished, place the safety lever in the “S” (safe) or “0” position. (See Illustration



**WARNING!** The barrel will be very hot after firing!

**WARNING!** Keep your fingers away from the muzzle! Avoid touching the barrel or placing the hot barrel in contact with objects that may be damaged by heat or those that could ignite!



**WARNING!** Always unload your pistol immediately after use and prior to cleaning and storage to minimize the risk of an accidental discharge. If your pistol ever fails to fire keep it pointed at the target for at least 30 seconds in the event of a hangfire (slow ignition). If the round still does not fire, remove the magazine, while being careful to avoid exposure to the breech, operate the charging handle to eject the live round.

#### Unloading the Pistol



**WARNING!** The pistol will fire if the magazine is removed if the trigger is pulled when a cartridge is in the chamber.

**WARNING!** If dropped, any firearm could fire when there is a cartridge in the chamber and the safety lever is in the “FIRE” position.

#### Field Stripping



**WARNING!** Keep muzzle pointed in a safe direction.

1. Move the safety lever to the "S" (Safe) or "0" position. (See Illustration #16.)
2. Remove the magazine from the pistol. With your primary hand holding the pistol grip, using your thumb on your other hand, press the magazine release lever forward. (See Illustration #5.) You will now be able to pull down on the magazine and remove it from the magazine well in the receiver. (See Illustration #18.)
3. Leaving the safety lever in the "S" (Safe) or "0" position. (See Illustration #16.) Pull the Charging (cocking) handle rearward. When the handle is fully rearward rotate it up until it engages in the locking notch. This will lock the bolt open. (See Illustration #18.) Inspect the chamber to ensure it is empty. (See Illustration # 18) Once you determine the chamber is empty and no magazine is in the pistol, let the bolt go forward. Make sure the safety lever is still in the "S" (Safe) or "0" position. (See Illustration #16.)

#### Clearing a misfire

1. In the event that a cartridge remains in the chamber after pulling the trigger and the extractor fails to remove it (whether or not it has fired), you should remove the magazine, then work the bolt charging/cocking handle several times to try to eject the cartridge. If this does not eject the cartridge, pull the charging/cocking handle rearward. When the handle is fully rearward rotate it up until it engages in the locking notch. This will lock the bolt open. Follow the instructions found on page 19 to field strip your pistol before attempting to remove the cartridge. If after field stripping your pistol you are still unable to remove the cartridge casing, do not reassemble the pistol. Take the pistol to a competent gunsmith to remove the round and ensure proper functioning.



**WARNING!** Before beginning the disassembly process, check to ensure the pistol is NOT loaded. To do so, follow the procedures detailed in the **Unloading the Pistol** section on page 18.

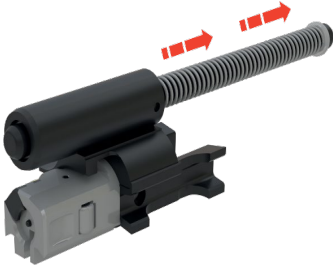
**WARNING!** Wear eye protection, such as shooting glasses or goggles, when disassembling your firearm to protect your eyes from tensioned parts, such as springs that could be dislodged during disassembly.

1. Remove the magazine from the pistol. To do so, follow the procedures detailed in the **Unloading the Pistol** section on page 18.
2. Ensure the safety lever is in the "S" (Safe) or "0" position. (See Illustration #16.)
3. Leaving the safety lever in the "S" (Safe) or "0" position. (See Illustration #16.) Pull the charging/cocking handle rearward. When the handle is fully rearward rotate it up until it engages in the locking notch. This will lock the bolt open. (See Illustration #18.) Inspect the chamber to ensure it is empty. Once you determine the chamber is empty and no magazine is in the pistol, let the bolt go forward. Make sure the safety lever is still in the "S" (Safe) or "0" position. (See Illustration #16.)
4. While maintaining a safe muzzle direction, remove the Butt Cap (depending on which model you have you will either have to remove one or two pins) (see illustration # 10) by holding the pistol in a secure position (across your lap, resting on a table, etc.) and pressing the butt cap pins out. Turn the pistol over and grasp the pins pulling them free from the butt cap. Note the bolt must be forward or the butt cap will be under spring tension.
5. Slide the Butt Cap off of the rear of the receiver. Reach into the rear of the receiver and grasp the recoil spring/bolt carrier assembly. Remove it from the receiver.
6. Push the takedown pin on the front of the trigger guard out, turn the pistol over and pull the takedown pin from the trigger guard. Grasp the trigger housing and rotate it down towards the rear of the receiver.
7. Press the takedown pin that holds the hand guard out, turn the pistol over and pull the takedown pin from the hand guard. Rotate the hand guard down and pull slightly forward to remove it from the receiver.
8. Bolt Carrier disassembly. Grasp the recoil spring while holding the bolt, pull it from the bolt carrier. Then holding the bolt carrier with the bolt facing you, turn the bolt 45 degrees to the right. Slide it forward and disengage it from the bolt carrier. (See Illustration # 19) With the firing pin facing you, turn the locking piece to the right. You can then slide the locking piece, firing pin spring and firing pin from the bolt carrier. (See Illustration # 19)
9. Trigger housing removal. Rotate the safety lever to the "F" or "1" fire position. While holding the hammer down with your thumb, pull the trigger. When the hammer releases slowly allow it to rotate forward. With the hammer forward you can rotate the safety lever straight up, then pull the safety from the trigger housing. Grasp the hammer and pull up on the trigger pack, remove it from the housing. It is not recommended to disassemble the trigger pack further. (See Illustration 20)

## Reassembly

1. Reassemble the bolt carrier and trigger pack first. Reversing the disassembly process. (See Illustration 19 & 20)
2. Slide the assembled bolt carrier and bolt back into the receiver.
3. Making sure to cock and lock the hammer back. Slide the completed trigger housing into the receiver, replace the forward locking pin. Slide the butt cap into the rear of the receiver and secure it in place. Depending which model you have it either secures with a single pin or with two pins.
4. Move the safety leave to the "S" (Safe) or "0" position. (See Illustration #16.) Your pistol is fully reassembled.

a. Remove the recoil spring.



b. Rotate the bolt ~ 45 degrees until it disengages from the locking piece.



c. Control bolt as it disengages from the carrier.



d. Remove bolt carrier head.



e. Rotate the locking piece in the direction of the arrow.



f. Separate the firing pin and firing pin spring from the locking piece.



Figure 19- Disassembly of Bolt Carrier Assembly

a. Select safety lever to "F" or "1".



b. Pull the trigger so hammer falls.



c. Rotate safety lever straight up.



d. Gently remove safety lever/axle.



e. Grasp hammer and pull trigger pack up.



f. Trigger pack removed.



Figure 20- Trigger Pack Removal

## Rear Sight Adjustments

1. The AP5 pistols are zeroed after production. If the sight requires adjustment for windage or elevation, it is done in the following manner.
2. To adjust the windage to the left, loosen the locking screw and gently turn the adjustment screw counter-clockwise. To adjust to the right loosen the locking screw and turn the adjustment screw clockwise. One quarter turn (one Click) equals approximately .5" at 25 yards. (See Illustration # 21)
3. All elevation adjustments should be made with the rear drum set on the smallest aperture. Turning the elevation adjustment screw clockwise will lower the point of impact, counter-clockwise will raise the point of impact. One quarter turn (one click) equals approximately .5" change in elevation at 25 yards. (See Illustration # 22)



Illustration 21 Rear Sight Locking and Adjustment Screws

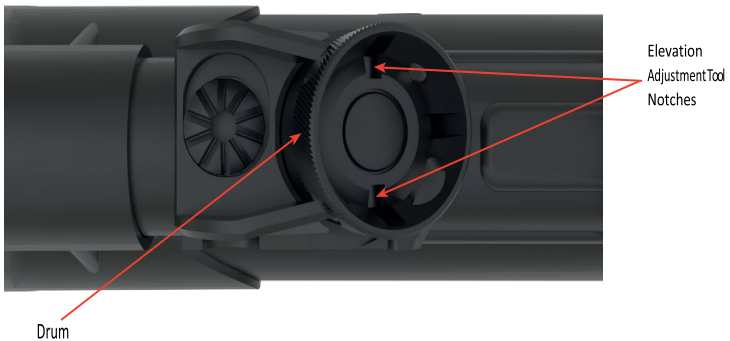


Illustration # 22

## Cleaning the Pistol



**WARNING!** Before beginning the cleaning process, check to ensure the pistol is unloaded. (See the **Unloading the Pistol** section on page 18.)

**WARNING!** There may be sharp edges on parts of the firearm. Keep your fingers protected by wearing a pair of protective gloves when cleaning.

**WARNING!** You should wear eye protection, such as shooting glasses or goggles, when cleaning this pistol to protect your eyes from tensioned parts, such as springs, that could become dislodged during the cleaning procedures.

**WARNING!** Excessive use of cleaning solvents or lubricants can adversely affect your pistol's functioning. Wipe the inside of the barrel dry before firing and ensure that it is free of obstructions.

**WARNING!** Some cleaning solvents produce hazardous vapors. Read and follow the solvent manufacturer's cautions found on the product's package.

**WARNING!** Handling ammunition and cleaning firearms results in exposure to lead and other substances that can pose health risks. Wash your hands and face after firing your pistol or after cleaning it.

**WARNING!** This firearm should be checked periodically for worn or damaged parts by a competent gunsmith. This will help ensure its safe functioning and a long service life.

### **WARNING!**

Do not spray or apply lubricants directly on ammunition. If the powder charge of a cartridge is affected by the lubricant, it may not be ignited, but the energy from the primer may be sufficient to push the bullet into the bore where it may become lodged. Firing a subsequent bullet into the obstructed bore will damage the firearm and may cause injury to the shooter and those nearby. Use lubricants properly. You are responsible for the proper care and maintenance of your firearm and ammunition.

## Cleaning Intervals

Always clean your pistol as soon as possible after firing to prevent buildup of shooting residue and to prevent corrosion from starting. To maintain your pistol in good working order, it should be cleaned regularly even if it has not been fired. If you live in a low-humidity area, this may mean doing a full clean once or twice a year; but if you live in a high-humidity area, it may be necessary to clean your pistol as often as once a week.

**NOTE:** *In freezing weather (below 32° F. or 0° C.), the use of a dry lubricant (instead of oil) for lubrication may work better.*

1. Obtain a quality cleaning kit and thoroughly review the manufacturer's instructions.
2. Follow the pistol field stripping procedures. (See page 19.)
3. To clean the barrel, select the correct caliber cleaning brush and attach it to a cleaning rod.
4. Dampen the brush with gun cleaning solvent and then push the brush through the barrel several times.
5. Remove the brush and attach a correctly sized cloth cleaning patch to the cleaning rod and push it through the barrel several times to remove loosened fouling.
6. Repeat this process with the brush and cleaning patches until a final patch comes out clean after swabbing the bore. Lightly oil the bore.
7. Remove shooting residue from the pistol's action parts and outer surfaces by wiping them with a soft cloth dabbed in gun cleaning solvent. Then be sure to remove all excess solvent and dry them.
8. Finally, wipe down all outer surfaces with a soft cloth dipped in a good quality gun oil.

### **Storage**

Your pistol should be thoroughly cleaned and lightly lubricated before being put away for storage. A light coating of good quality gun oil should be applied to all exposed surfaces. Remove all excess lubrication and use a cleaning rod and cleaning patch to make sure that the bore (the inside of the barrel) is dry and free of obstructions when you remove your pistol from storage and before firing it. CHECK TO ENSURE THAT YOUR PISTOL IS NOT LOADED BEFORE STORING IT. ALWAYS STORE FIREARMS AND AMMUNITION SEPARATE FROM EACH OTHER AND OUT OF REACH OF CHILDREN. ALWAYS SECURELY LOCK YOUR FIREARMS WHEN NOT IN USE. REFERENCE YOUR HOME STATE'S FIREARMS REGULATIONS FOR SAFE STORAGE OF FIREARMS AND AMMUNITION.



### **WARNING!**

Altering or modifying parts and/or internal safeties is dangerous and will void the warranty. This firearm was manufactured to perform properly with the original parts as designed. It is your duty to make sure any parts you buy are made for this firearm and are installed correctly and that neither the replacements nor originals are altered or changed. Your gun is a complex precision tool with many parts that must relate correctly to other parts in order for proper and safe operation. Putting a gun together wrong or with incorrect or modified parts can result in a damaged gun, danger, and injury or death to you and others through malfunction. Always have a qualified gunsmith work on your gun.

### **Limited Parts Replacement Warranty**

The AP5 is warranted to be free of manufacturing defects for a period of one year from the original date of purchase of the AP5 from a federally licensed firearms retailer. The warranty only applies to the first retail purchaser and is not transferrable or assignable. Proof of purchase must be presented at the time any warranty claim is made. This is a one year warranty limited to replacement of improperly manufactured parts. Any alterations, modifications, abuse, misuse or discharge of poor quality, corrosive or defective ammunition voids the warranty.

**Return Authorization**

To obtain warranty service, contact us at 1.800.527.1252 to get a return authorization. Please note that a return authorization must be obtained prior to returning the firearm.

Century Arms  
236 Bryce Boulevard  
Fairfax, Vermont 05454  
USA  
[www.centuryarms.com](http://www.centuryarms.com)

**AP5 Series of Pistols****Distributed by:****Century Arms****236 Bryce Boulevard, Fairfax, VT 05454****[www.centuryarms.com](http://www.centuryarms.com)****Sales Tel: 1.800.527.1252 - 1.561.265.4530**