



- B6
- B6C (9x19 mm)
- B6C (.380 ACP)
- B6C (.22 LR)
- CM9
- P8 L
- P8 S
- K2 45
- K2-45 C
- K-12 SPORT
- 2000



## SEMI-AUTOMATIC PISTOLS

USER MANUAL  
MAINTENANCE & SPARE PARTS LIST

**⚠ WARNING**

SARSILMAZ disclaims any and all liability arising out of the use of any SARSILMAZ products contrary to instructions or regulations; (ii) without caution; (iii) by any parties other than the license holder; (iv) through making unauthorized or illegal modifications thereon; (v) utilizing non-standard or out of spec cartridges; (vi) under maintenance or repair services rendered by unauthorized persons; or (vii) under any similar conditions whatsoever. SARSILMAZ excludes all liability for any injuries or property damages arising from the malicious or negligent use of products.

**⚠ WARNING**

All pictures, photos and definitions in this Manual are provided only for information purposes. The manufacturer reserves its right to apply changes to any models any time without prior notice as deemed necessary for improving the products or in line with any manufacturing or commercial requirements.

# CONTENTS

1. GENERAL PRECAUTIONS.....	4	5. ADJUSTMENTS.....	22
2. GENERAL RULES FOR SAFETY.....	5	5.1. ADJUSTMENT OF SIGHTS.....	22
3. PRODUCT AND FEATURES IDENTIFICATION.....	8	6. MAINTENANCE AND CLEANING.....	23
3.1. SUPPLIED COMPONENTS.....	8	6.1. MAINTENANCE AND CLEANING KIT.....	23
3.2. MAIN PRODUCT FEATURES.....	8	6.2. DISASSEMBLING YOUR FIREARM.....	23
3.3. BASIC PARTS.....	9	6.3. MAINTENANCE AND CLEANING OF YOUR FIREARM.....	26
3.4. ADDITIONAL FEATURES.....	10	6.4. REASSEMBLING OF YOUR FIREARM.....	27
3.5. TECHNICAL DATA and FEATURES.....	11	6.5. INSPECTION OF FUNCTIONS.....	28
4. PUTTING YOUR PRODUCT INTO SERVICE.....	13	6.6. MAINTENANCE OF YOUR MAGAZINE.....	29
4.1. PRELIMINARY PREPERATION.....	13	6.6.1. DISASSEMBLING YOUR MAGAZINE.....	29
4.2. INSPECTING YOUR PISTOL.....	13	6.6.2. CLEANING YOUR MAGAZINE.....	30
4.3. AMMUNITION.....	15	6.6.3. REASSEMBLING THE MAGAZINE.....	30
4.4. FIRING.....	16	7. TROUBLESHOOTING.....	31
4.4.1. CHECKS AND SAFETY BEFORE FIRING.....	16	8. EXPLODED VIEWS and PART LISTS.....	34
4.4.2. LOADING YOUR MAGAZINE.....	16	8.1. B6 EXPLODED VIEW.....	34
4.4.3. ASSEMBLING YOUR FIREARM.....	17	8.2. B6C EXPLODED VIEW.....	36
4.4.4. SETTING YOUR LINE OF FIRE.....	18	8.3. B6C EXPLODED VIEW.....	38
4.4.5. FIRING.....	18	8.4. B6C EXPLODED VIEW.....	40
4.4.6. RELOADING YOUR PISTOL.....	19	8.5. CM9 EXPLODED VIEW.....	42
4.4.7. UNLOADING YOUR FIREARM.....	19	8.6. P8 L EXPLODED VIEW.....	44
4.5. SECURING YOUR FIREARM.....	20	8.7. P8 S EXPLODED VIEW.....	46
4.5.1. UNLOADING WHILE MAGAZINE AND BARREL ARE LOADED WITH CARTRIDGES.....	20	8.8. K2 45 EXPLODED VIEW.....	48
4.5.2. RELEASING YOUR HAMMER SAFELY.....	21	8.9. K2-45 C EXPLODED VIEW.....	50
		8.10. K-12 SPORT EXPLODED VIEW.....	52
		8.11. 2000 EXPLODED VIEW.....	54

## 1. GENERAL PRECAUTIONS

Read the instructions and warnings in this manual carefully before handling SARSILMAZ products for any purposes. As a prerequisite for SARSILMAZ products you must be familiar with and follow the information provided in this manual. Please read the instructions for safety and use thoroughly and carefully before handling the firearm. If you need any further information, please consult your dealer or the factory.

Please observe the laws of your region and/or your country governing the purchasing, handling, and use of firearms. All firearms are dangerous. Therefore, it is your responsibility to always comply with all instructions for use.

SARSILMAZ disclaims in advance any and all responsibility for any technical damage and/or other consequences whatsoever that may be caused by; the misuse of the product, including any property damage or injury/death arising in relation to the following:

- Always keep the muzzle pointed in a safe direction.
- Firearms should be unloaded and secured when not in use.
- Do not rely on your firearm's safety.
- Be sure of your target and what is beyond it.
- Make sure that your ammunition matches the caliber or gauge of your gun.
- If your pistol fails to fire when the trigger is pulled, IMMEDIATELY REMOVE FINGER FROM TRIGGER, keep muzzle pointed in a safe direction, pull slide back to eject faulty cartridge. Once faulty cartridge is ejected, continue firing. It is your responsibility to ensure that you are in compliance with all applicable laws and ordinances regarding the use of your firearm.
- Other factors beyond our control.

## 2. GENERAL RULES FOR SAFETY

### 2.1. ALWAYS KEEP YOUR FIREARM POINTED IN A SAFE DIRECTION.

Never point a firearm at yourself or anyone. This is particularly important when loading or unloading the firearm. Always be aware of what is behind your target. If you miss or hit your target, it is your responsibility to ensure your shot will not cause unexpected injuries or damages.

### 2.2. ALWAYS TREAT EVERY FIREARM AS IF IT IS LOADED.

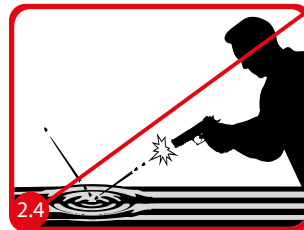
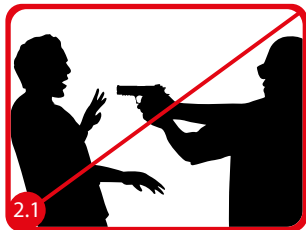
Do not take anyone's word that the firearm is unloaded – always check for yourself. Assume your firearm is ready to fire unless you have visually checked that the firearm is unloaded.

### 2.3. HIDE YOUR GUN OUT OF CHILDREN'S SIGHT, REACH AND ACCESS.

It is your responsibility that your firearm is not accessible to children and other unauthorized persons. It is highly recommended that you store your firearm unloaded and secured with ammunition stored separately. This will ensure minimizing the risk of accidents involving children and unauthorized persons.

### 2.4. NEVER SHOOT AT HARD SURFACES OR WATER.

Shooting at water or hard surfaces can cause changes in the direction of the bullet which may result in injuries of your own, others, and/or property damage.



### **2.5. NEVER USE ALCOHOL OR DRUGS WHILE HANDLING OR SHOOTING A FIREARM.**

Do not use your firearm if you are impaired by alcohol, drugs, and/or medications that will hinder your physical and mental abilities.

### **2.6. FOLLOW PROPER MAINTENANCE PROCEDURES FOR YOUR FIREARM**

Before loading the barrel, always check to see if it is completely clean (completely free from any obstructions such as dirt, mud, oil, ammunition or ammunition residuals). Shooting against an obstruction can cause an increase in pressure and may damage your firearm and cause injury to yourself and others. If the operation of your handgun has changed the way it sounds, stop firing, make sure the firearm is pointed in a safe direction, and unload the firearm. Check the chamber and barrel bore for any failure.

Using incorrect types or calibers of ammunition may cause the firearm to jam.

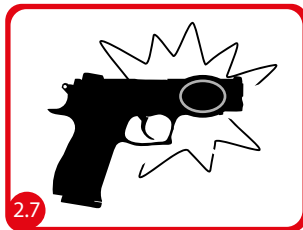
In order to prevent accumulation of dirt or dust on operating parts, store your firearm in its original case once properly cleaned. Lubricate and clean your gun after every use following the instructions in order to avoid any corrosion, barrel damage, and dirt.

### **2.7. USE PROPER AMMUNITION.**

Only use factory-loaded ammunition that is newly manufactured within industrial specifications. Ensure all cartridges used are compatible with the caliber and type of your firearm. Avoid using MP5 bullets!

### **2.8. ALWAYS WEAR SAFETY GLASSES AND EAR PROTECTION SPECIFIED FOR FIREARM USE.**

A shooter should always wear impact-resistant safety glasses and ear protection when using any firearms to prevent hearing and sight damage.



## **2.9. OBSERVE THE RULES!**

Observe all local and general rules regarding the handling, use and transportation of firearms.

### **2.10. ENSURE THAT YOU HAVE A FULL UNDERSTANDING OF THE SAFETY FEATURES OF YOUR PISTOL.**

Never rely on only the safety to prevent accidents. It is your obligation to make yourself familiar with and utilize the safety features of your gun. The best way to prevent accidents is to follow the rules for safety and safe handling procedures defined in the product manual.

**2.11. NEVER ALLOW A FIREARM TO BE USED BY INDIVIDUALS THAT DO NOT UNDERSTAND ITS SAFE OPERATION OR HAVE NOT READ THESE FIREARM SAFETY RULES.**

**2.12. NEVER LEAVE A FIREARM UNATTENDED AND IN REACH OF AN UNAUTHORIZED PERSON. THIS MAY RESULT IN THEFT OR MAY EVEN POSE A THREAT TO OTHERS, CAUSING DAMAGE OR EVEN DEATH. ALL RESPONSIBILITY WILL BE YOURS.**

**2.13. IT IS IMPERATIVE THAT YOU KEEP YOUR FIREARM UNLOADED IN A SAFE AND SECURED LOCATION.**

**2.14. NEVER ATTEMPT TO REMOVE AN OBSTRUCTED PROJECTILE IN THE BARREL BORE THROUGH FIRING ANOTHER ONE. UNLOAD FIREARM AND SEEK A QUALIFIED GUNSMITH.**

**2.15. MAKE SURE YOU ARE FAMILIAR WITH THE OPERATIONS BEFORE USING AND LOADING THE FIREARM.**

**2.16. ALLOW ONLY AUTHORIZED/QUALIFIED GUNSMITHS TO UNDERTAKE REPAIR PROCEDURES.**

**2.17. IT IS BOTH DANGEROUS AND FORBIDDEN TO MAKE MECHANICAL MODIFICATIONS ON ANY PART OF THE FIREARM. PLEASE NOTE THAT ANY MODIFICATIONS WILL EXCLUDE THE ENTIRE FIREARM FROM WARRANTY.**

**2.18. USER OF THE FIREARM SHOULD STAND AT A REASONABLE DISTANCE FROM OTHER PERSONS. AVOID**

**2.19. SQUEEZING THE TRIGGER IN EXCESS.**

### 3. PRODUCT AND FEATURES IDENTIFICATION

#### 3.1. SUPPLIED COMPONENTS

The package supplied includes;

- 1 pistol case
- 1 pistol
- 2 magazines
- 1 owner's manual
- 1 cleaning kit
- 1 gun lock



#### 3.2. MAIN PRODUCT FEATURES

Sarsilmaz pistols are manufactured using the latest technology and the experience we have gained in the manufacturing of modern small arms intended for marksmanship, police and the army. Our guns use a recoil-operated, self-loading mechanism with mechanical lock-up. Your pistol is equipped with the ultimate safety mechanisms including automatic firing pin lock, hammer lock, and safety. It offers precise detection of the target and firing thanks to the adjustable sights (may differ based on the model) and ergonomic grip enabling an easy aim. Sarsilmaz pistols are available in a wide range of models including both double action/single action (DA/ SA) and single action only (SAO).



### 3.3. BASIC PARTS



### 3.4. ADDITIONAL FEATURES

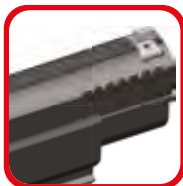
SARSILMAZ semi-automatic pistols are specially designed for use by military and police forces. It is preferred by military and police forces thanks to its extraordinary performance compared to competitors.

#### NOTE:

Features below may vary for different models.



Ambidextrous safety lever



Adjustable front sight



Compensator



Picatinny rail for polymer models



Firing pin



Adjustable rear sight



Chamber Indicator



Ambidextrous magazine release



Changeable front sight



Porting



Picatinny rail for steel models



Ergonomic trigger guard



Changeable grip panel



Steel magazine

### 3.5. TECHNICAL DATA and FEATURES

MODEL	B6	B6C	B6C-S	B6C-LR	CM9
CALIBER	9x19 mm	9x19 mm	.380 ACP	.22 LR	9x19 mm
MECHANISM	Double Action	Double Action	Double Action	Double Action	Double Action
CAPACITY	15 / 17	13	14	10	15 / 17
BARREL LENGTH	4.5"	3.8"	3.8"	4.2"	3.8"
OVERALL LENGTH	8.1"	7.4"	7.0"	7.3"	7.3"
OVERALL HEIGHT	5.5"	5.2"	5.0"	5.0"	5.6"
OVERALL WIDTH	1.1"	1.1"	1.1"	1.1"	1.1"
WEIGHT	28.2 oz	25.2 oz	26.1 oz	20.5 oz	29 oz
SPECIFICATIONS	<p>Polymer Frame, Alloyed Forged Steel &amp; Forged Stainless Steel Barrel and Slide Rear Sight Manual Safety, Firing Pin Block and Hummer Block</p>	<p>Polymer Frame, Alloyed Forged Steel &amp; Forged Stainless Steel Barrel and Slide Rear Sight Manual Safety, Firing Pin Block and Hummer Block</p>	<p>Polymer Frame, Alloyed Forged Steel &amp; Forged Stainless Steel Barrel and Slide Rear Sight Manual Safety, Firing Pin Block and Hummer Block</p>	<p>Polymer Frame, Alloyed Forged Steel &amp; Forged Stainless Steel Barrel and Slide Rear Sight Manual Safety, Firing Pin Block and Hummer Block</p>	<p>Polymer Frame, Alloyed Forged Steel Barrel and Slide Adjustable Rear Sight Manual Safety, Firing Pin Block and Hummer Block</p>

<b>MODEL</b>	<b>P8 L</b>	<b>P8 S</b>	<b>K2 45</b>	<b>K2-45 C</b>	<b>K-12 SPORT</b>	<b>2000</b>
CALIBER	9x19 mm	9x19 mm	.45 Auto	.45 Auto	9x19 mm	9x19 mm
MECHANISM	Double Action	Double Action	Double Action	Double Action	Double Action	Double Action
CAPACITY	15 / 17	15 / 17	14	13	15 / 17	15 / 17
BARREL LENGTH	4.6"	3.8"	4.7"	4.2"	4.7"	4.5"
OVERALL LENGTH	8.0"	7.2"	8.3"	7.8"	8.5"	8.0"
OVERALL HEIGHT	5.5"	5.6"	5.7"	5.7"	5.9"	5.5"
OVERALL WIDTH	1.4"	1.4"	1.3"	1.3"	1.3"	1.4"
WEIGHT	37.9 oz	35.8 oz	39.3 oz	38 oz	41.6 oz	35.6 oz
SPECIFICATIONS	Alloyed Forged Steel & Forged Stainless Steel Frame, Barrel and Slide Adjustable Rear Sight Manual Safety, Firing Pin Block and Hummer Block	Alloyed Forged Steel & Forged Stainless Steel Frame, Barrel and Slide Adjustable Rear Sight Manual Safety, Firing Pin Block and Hummer Block	Alloyed Forged Steel & Forged Stainless Steel Frame, Barrel and Slide Adjustable Rear Sight Manual Safety, Firing Pin Block and Hummer Block	Alloyed Forged Steel Frame, Barrel and Slide Adjustable Rear Sight Manual Safety, Firing Pin Block and Hummer Block	Alloyed Forged Steel & Forged Stainless Steel Frame, Barrel and Slide Adjustable Rear Sight Manual Safety, Firing Pin Block and Hummer Block	Alloyed Forged Steel & Forged Stainless Steel Frame, Barrel and Slide Rear Sight Manual Safety, Firing Pin Block and Hummer Block

## 4. PUTTING YOUR PRODUCT INTO SERVICE

### 4.1. PRELIMINARY PREPERATION

Handguns are generally protected with a thin layer of oil and it should be wiped from the bore using a clean swab or patch before using the firearm.

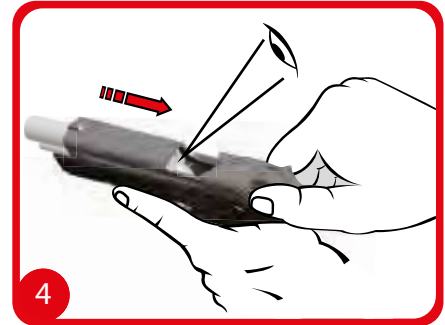
### 4.2. INSPECTING YOUR PISTOL

You can inspect your firearm to check it is unloaded through following the steps below:

- a. Grasp the pistol pointing it in a safe direction.
- b. Ensure your firearm is secured during the inspection. If not, set the manual safety to “locked position” until the red point becomes invisible. (Figure 1)



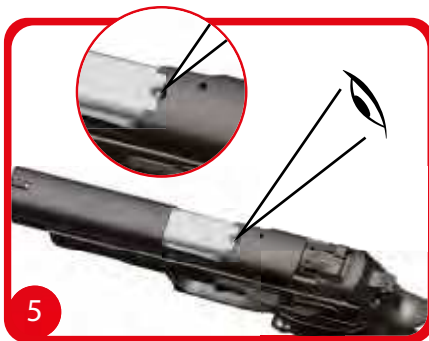
- c. Remove the magazine by pressing the magazine release on the left-hand side of the gun to ensure the magazine is empty (no rounds left). (Figure 2)
- d. Set the manual safety to "firing position" until the red point becomes visible again. (Figure 3)
- e. Pull slide back using the serrated sides on the slide. Check the chamber to ensure the gun is unloaded. (Figure 4)



- f. You can perform the same without sliding back for models equipped with a cartridge indicator. You can see the cartridge in the chamber when seen from the indicator. (Figure 5)
- g. You can squeeze the trigger after pointing your pistol in a safe direction. It is not recommended to squeeze the trigger when unloaded (without ammunition in the barrel), so do not do this often. Accordingly, it is recommended that the adjusted hammer be dropped as described under 4.5.2

### 4.3. AMMUNITION

- Use only new and high-quality cartridges.
- All ammunition must be compatible with your gun's caliber.
- Remember that hand-loaded or other non-standard cartridges will exclude your gun from the scope of the warranty.



## 4.4. FIRING

### 4.4.1. CHECKS AND SAFETY BEFORE FIRING

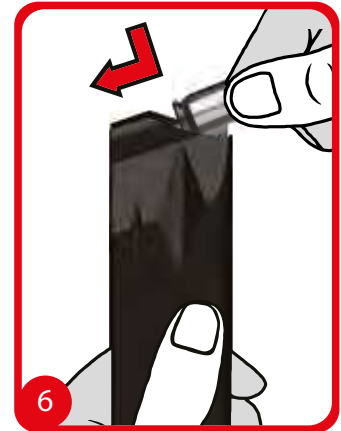
- Only point your pistol in a safe direction, even when unloaded.
- Keep your finger on the trigger guard instead of the trigger itself unless ready to shoot.
- Check the barrel to make sure there is no obstruction.
- When keeping your gun idle make sure that the slide is pulled back and open. Excess oil should be wiped from the gun before loading.
- Never attempt to load or unload your pistol in cars, buildings or other similar narrow, closed areas (except for shooting ranges).
- Do not rely solely on safety mechanism . This cannot take the place of careful and wise handling of firearms

### 4.4.2. LOADING YOUR MAGAZINE

- a. Grasp the magazine in forward position as you carefully insert a bullet downward on the magazine lips. (Figure 6)
- b. Slide the cartridge downwards until it reaches the rear wall of the magazine.
- c. Repeat the procedure for the number of bullets you wish to load. You can check the number of bullets inside by counting the holes on the magazine.

#### **△ WARNING**

Inspect bullets prior to loading, Crushed and crooked bullets can affect the function. When loading cartridges, insert each bullet carefully to avoid damaging magazine lips. Number of cartridges in the magazine can be identified on the side of the magazine. Do not try to force more than maximum indicated rounds into the magazine.



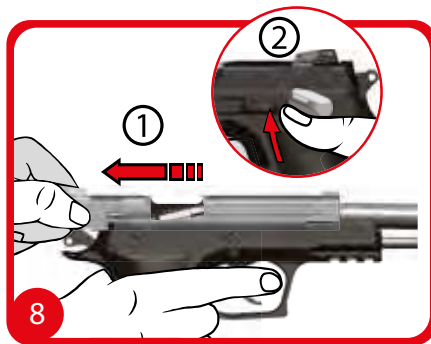
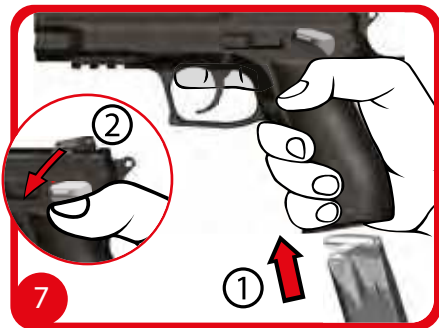


### 4.4.3. FIRING YOUR FIREARM

- a. Make sure your safety is engaged and finger is off of the trigger. Push the magazine up into the magazine well until the magazine catch engages and locks the magazine in place. This can be accomplished with the slide locked in the rear position or with the slide in the closed position. (Figure 7)
- b. While the slide is closed, pull the slide to the rearward position. Release the slide and allow it to go forward into the closed position. The slide will automatically take the cartridge from the magazine and load it into the chamber. If magazine is inserted while the slide is locked in the rear position, release the slide by using the slide release or by pulling rearward on the slide and releasing it. Do not allow your hand to follow the slide back. Let it go freely. (Figure 8)

#### ⚠ WARNING

The firearm is now loaded and ready to fire. Always remember to keep the muzzle pointed in a safe direction while handling your firearm. Do not chamber a round until you are ready to fire.



#### 4.4.4. PROPER SIGHT PICTURE

A line of fire can be set lining up the three dots. (Figure 9)

#### 4.4.5. FIRING

- You can fire on target through applying the firing techniques.
- Grasp the trigger with your finger and pull it slowly.
- Keep your pistol pointed at your target until you finish intended number of shots.
- Do not move from your target/shooting area until you have completed a safety check and made sure firearm is unloaded.
- When all your shots are fired, the slide will be locked rearwards by the barrel locking and NTA pin. Place your gun into "safe position".
- Press magazine release to eject the magazine.
- Insert a loaded magazine in the firearm and press NTA pin or gently draw rearwards and release the slide to continue shooting. (Figure 10)
- Place the manual safety back into "firing position" to continue shooting.



#### 4.4.6. RELOADING YOUR PISTOL

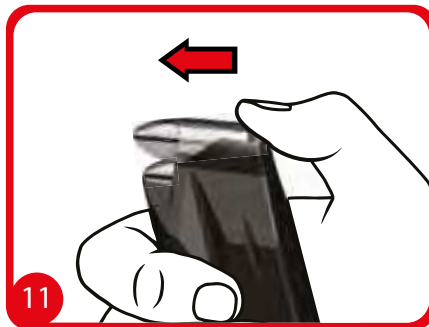
Refer to “Loading Your Magazine” and “Assembling Your Firearm” to reload your pistol.

#### 4.4.7. UNLOADING YOUR FIREARM

- a. Push EACH BULLET upwards using your thumb until they pop out of the magazine lip. (Figure 11)
- b. Repeat until the magazine is fully unloaded.

#### ⚠ WARNING

You are responsible for the firearm at all times. You should always consider that your gun is loaded and ready to fire until and unless that your gun is unloaded, doublechecked and secured. You must always secure your firearm and ammunition separately after ensuring the gun is unloaded.



## 4.5. SECURING YOUR FIREARM

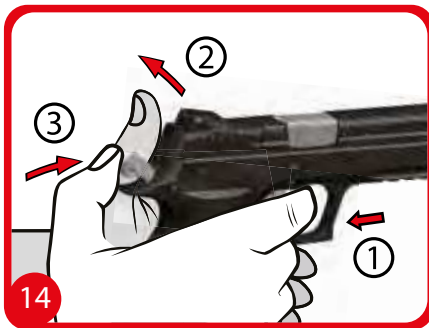
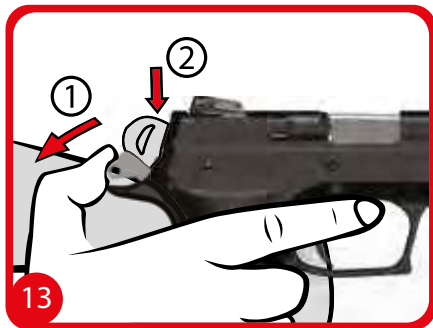
### 4.5.1. UNLOADING WHILE MAGAZINE AND BARREL ARE LOADED WITH CARTRIDGES

- ALWAYS point the muzzle in a safe direction away from people and objects.
- When the magazine is loaded, and one is in the chamber:
- Point the muzzle of the firearm in a safe direction.
- Depress the magazine release button and remove the magazine.
- Eject the live round from the chamber by pulling the slide straight back.
- Rack the slide multiple times to ensure the chamber is empty. While holding the slide in the back (open) position, engage the slide release to lock open.
- Visually check the chamber to be sure it is empty.



## 4.5.2. RELEASING YOUR HAMMER SAFELY

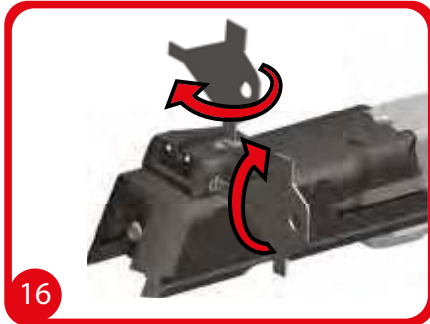
- a. ALWAYS point the muzzle in a safe direction away from people and objects.
- b. Grip the adjusted hammer with the thumb of one hand while blocking the front side of the hammer with the thumb of the other hand. (Figure 13)
- c. Pull the trigger gently to release the hammer. Remove your thumb from the front side of the hammer to release the hammer slowly by using your thumb holding the hammer. (Figure 14)
- d. Release the trigger rearwards and place the manual safety into "safe position". (Figure 15)



## 5. ADJUSTMENTS

### 5.1. ADJUSTMENT OF SIGHTS

- a. Models with adjustable rear sight can be adjusted to right-left or upwards-downwards. (Figure 16)
- b. Models with a fixed front sight may not be adjusted. (Figure 17)



## 6. MAINTENANCE AND CLEANING

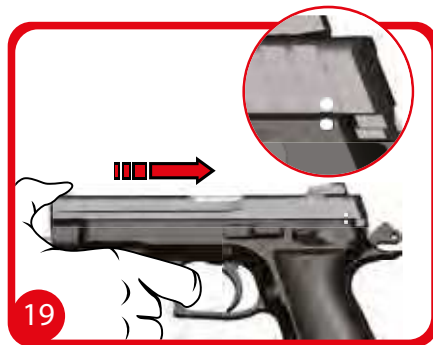
### 6.1. MAINTENANCE AND CLEANING KIT

The cleaning and maintenance kit supplied with your pistol includes:

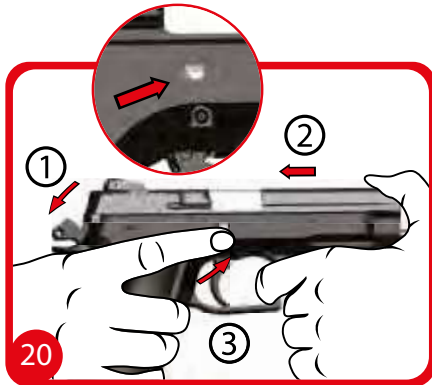
- Bristle Brush
- Acrylic Fiber Brush
- Swab

### 6.2. DISASSEMBLING YOUR FIREARM

- Check your firearm again to ensure it is unloaded before disassembling.
- Press the magazine release to eject the magazine.
- Adjust the hammer manually. (Figure 18)
- Draw the slide backwards ensuring the two dots on the frame and slide are lined up. (Figure 19)



e. NTA pin should be ejected from the back side manually or using a hard object when the pistol is in this position. (Figure 20-21)

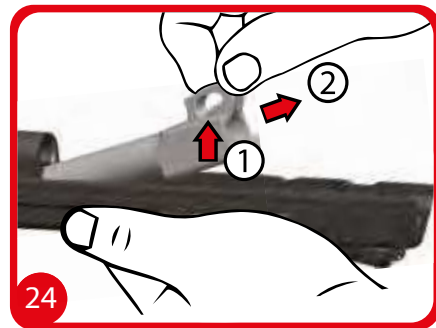
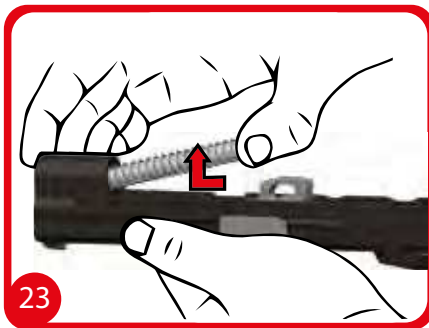
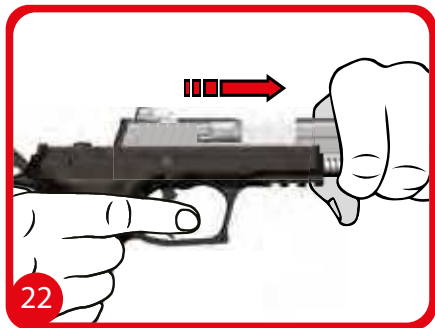




- f. Pull the slide to the front slowly to remove. (Figure 22)
- g. Remove the recoil spring mechanism. (Figure 23)
- h. Remove the barrel. (Figure 24)

**△ WARNING**

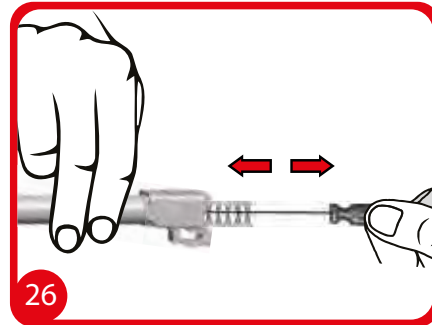
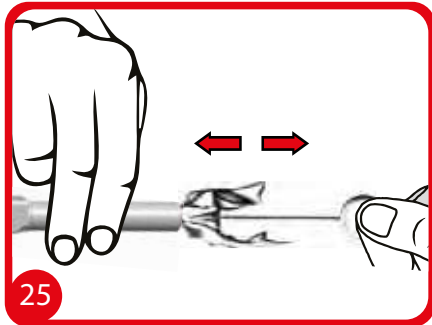
This completes field stripping of the firearm. No further disassembly should be attempted. Further disassembly should only be performed by authorized personnel.



### 6.3. MAINTENANCE AND CLEANING OF YOUR FIREARM

It is crucial to have good knowledge of the maintenance and handling of your firearm. Various experiences have shown that most of the operational failures in the firearm are due to the mistakes made during the maintenance. It is vital to give importance to the cleaning, lubrication and protection of your firearm. This determines whether your gun will operate smoothly when needed. For proper maintenance, the entire barrel should be treated. The process of cleaning and maintenance also covers the magazine.

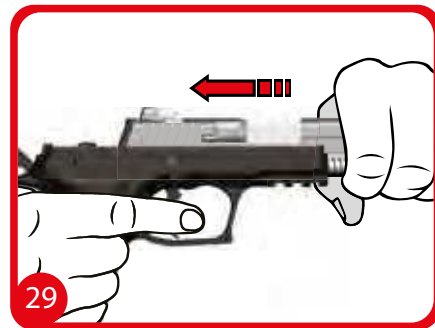
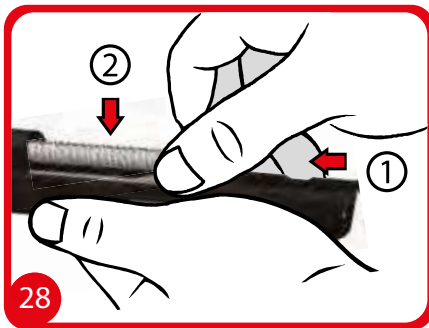
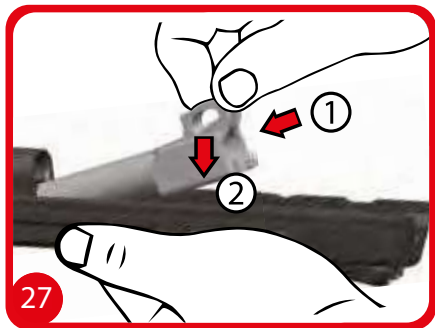
- a. Ensure that the firearm is unloaded.
- b. Wipe any heavy and sticky protective substances from the firearm during the first maintenance using a cleaning cloth.
- c. Make sure all gunshot residue is wiped away after each use. Clean any hard-to-reach areas using a small brush, swab and small amount of approved gun solvent.
- d. Clean the inside of the barrel and chamber thoroughly using a bristle brush and acrylic fiber brush. Wipe the accumulated gunshot residue from the barrel. (Figure 25-26)
- e. Clean the inside of the barrel and the chamber first using a damp cloth and then with a dry cloth using a swab. Gently lubricate all moving parts of the firearm including the barrel, chamber, slide and slide rails on the frame, and the springs. Use a cloth to remove the excess oil.



- f. Check all surfaces of the gun when cleaning. Check for any corrosion or peeling on the chrome coating. Make sure the firearm is operating smoothly.
- g. Avoid using corrosive or metal objects for cleaning.
- h. Perform a general cleaning of your gun after a series of shots.

#### 6.4. REASSEMBLING OF YOUR FIREARM

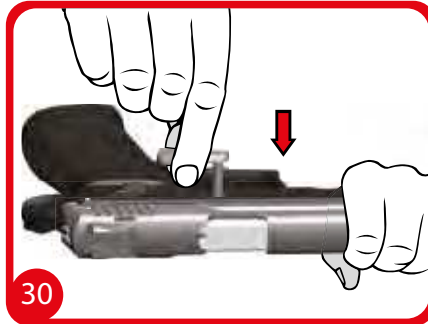
- a. Check the barrel for any obstructions.
- b. Place the barrel inside the slide. (Figure 27)
- c. Place the reassembling string mechanism under the barrel. (Figure 28)
- d. Place the slide on the rails on the frame and pull the slide backwards until the dots on the frame and the slide are lined up. (Figure 29)



- e. Place the NTA pin to its original place. (Figure 30)
- f. Release the slide and drop the hammer carefully.

## 6.5. INSPECTION OF FUNCTIONS

- Cleaning and maintenance procedures are followed by the inspection of the functions.
- With safety on safe, pull the trigger while pointing firearm in a safe direction. Make sure firing pin does not drop during this process. Switch safety to fire; pull the trigger while pointing firearm in a safe direction. Make sure firing pin drops during this process.



## 6.6. MAINTENANCE OF YOUR MAGAZINE

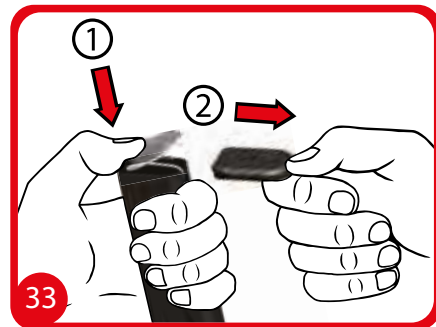
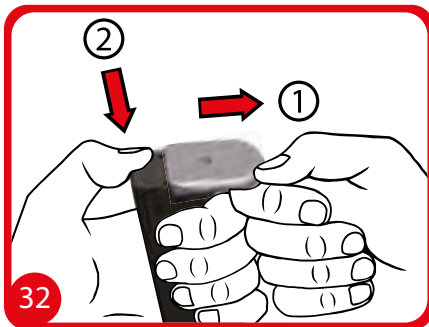
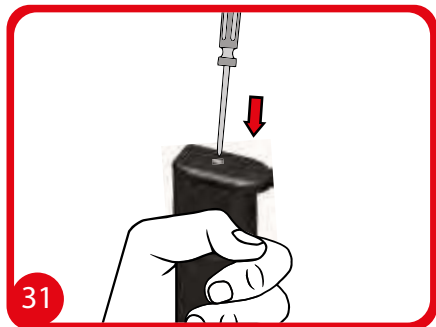
### 6.6.1. DISASSEMBLING YOUR MAGAZINE

- Make sure there is no cartridge in the magazine.
- Grasp the magazine upside down and push the magazine base lock by a tiny object. (Figure 31)
- Slide the magazine base lock over the grip to remove the half part of the magazine. (Figure 32)
- Remove the magazine base lock using one hand while applying pressure on the base lock with the other hand. (Figure 33)
- Disassemble the spring, the magazine follower and the base lock.

#### **⚠ WARNING**

Read the entire following directions before proceeding.

The magazine spring is being compressed during assembly. Support the magazine floorplate retainer and magazine spring with your thumb to control magazine spring tension. Uncontrolled release can cause injury. Wear eye protection!



### 6.6.2. CLEANING YOUR MAGAZINE

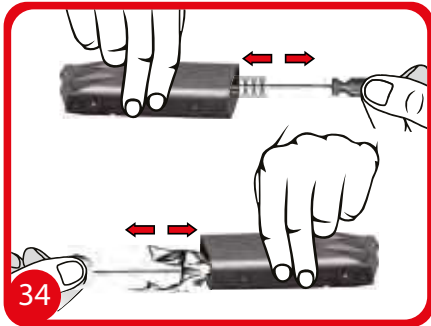
- Clean the gunshot residue inside the magazine thoroughly using a bristle brush. Wipe the inside and outside of the magazine using an acrylic fiber brush and clean cloth. (Figure 34)
- Gently lubricate the inside of the magazine with an acrylic fiber brush and a small amount of oil. (Figure 35)

#### ⚠ WARNING

Never attempt to clean the magazine using chemical solvents (gasoline, solvent mixed chemicals, etc.).

### 6.6.3. REASSEMBLING THE MAGAZINE

Repeat the disassembly steps in reverse order.



## 7. TROUBLESHOOTING

The following table outlines the problems and their reasons as well as suggestions with respect to firing.

PROBLEM	REASON	SOLUTION
Misfire	Check the manual safety	Place the manual safety in FIRING position.
	Firing pin problem	Have pistol examined by an authorized gunsmith.
	Dirty slide surface	Unload and clean the firearm.
	Faulty cartridge	Remove the bullet in the chamber, feed a new bullet into the barrel and continue firing.
Failure to feed the cartridge	Magazine stopped without reaching extreme forward position	Shove the magazine forward until you hear a click.
	Faulty magazine	Replace the magazine.
	Dirty magazine	Manually remove all cartridges and clean the magazine.
	Faulty magazine assembly	Remove and insert the magazine again.
Cartridge case not ejected	Inefficient assembly	Pull the slide backwards and gently shake the extractor by turning it upside down and wait for the jammed cartridge to drop. Continue firing. Have it examined by the authorized technical service if the problem persists.
	Faulty ejector	Have it examined by the authorized technical service.
	Faulty extractor	Have it examined by the authorized technical service.

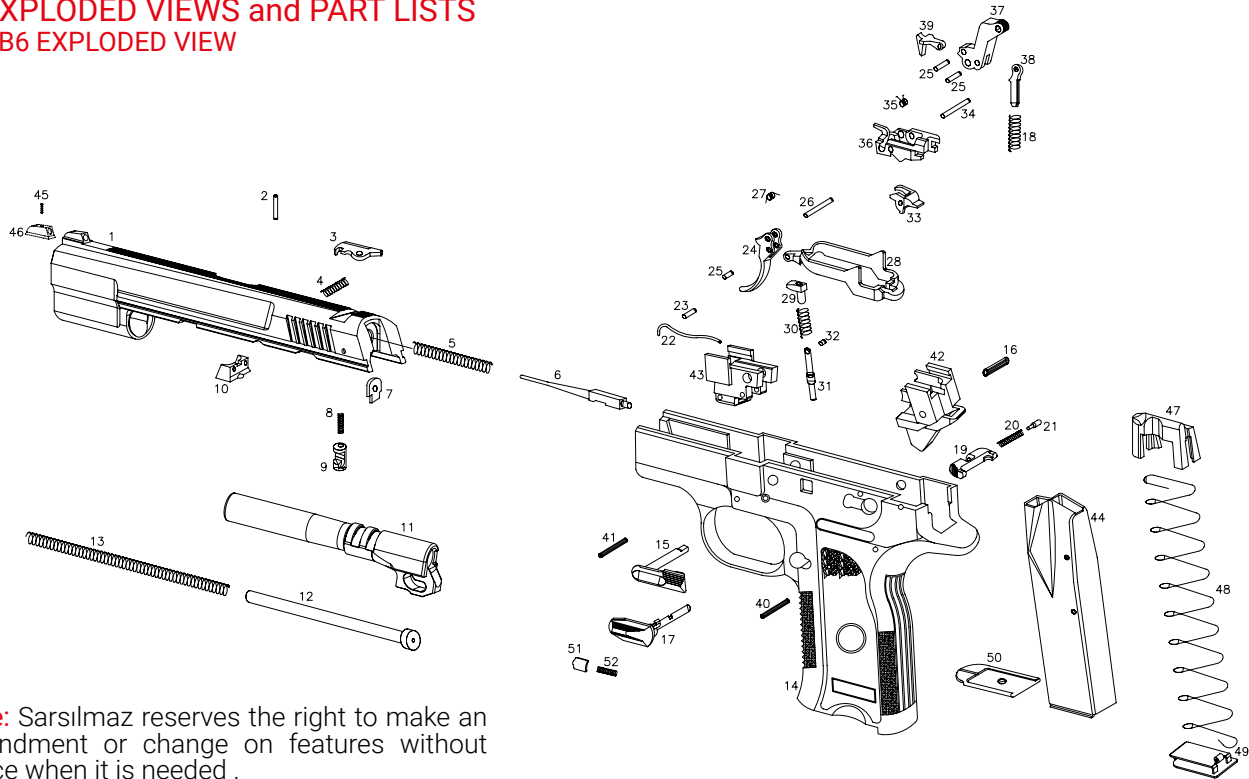
PROBLEM	REASON	SOLUTION
Non-advance of cartridge from magazine to chamber	Fouling or blockage of chamber	Clean the chamber.
	A previously jammed cartridge case.	Remove the cartridge case in the chamber.
	Crooked, dirty or rusty cartridge	Do not use the faulty cartridge. Continue firing using new factory cartridges.
Faulty ejection	Fouling or blockage of chamber.	Remove the magazine after securing the gun. Extract the empty case by pushing the swap inside the barrel. Clean the chamber and the barrel.
	Crooked, dirty or rusty cartridge.	Replace the cartridge.
Slide locks in incompletely	Insufficient lubrication of the moving parts.	Lubricate the firearm.
Failure to push forward the pulled back slide	No cartridges in the magazine.	Remove the magazine and continue firing with new cartridges.
	Fouling of the slide and frame channels.	Disassemble your firearm to clean the fouling and lubricate as required.



# EXPLODED VIEWS & PART LISTS

## 8. EXPLODED VIEWS and PART LISTS

### 8.1. B6 EXPLODED VIEW

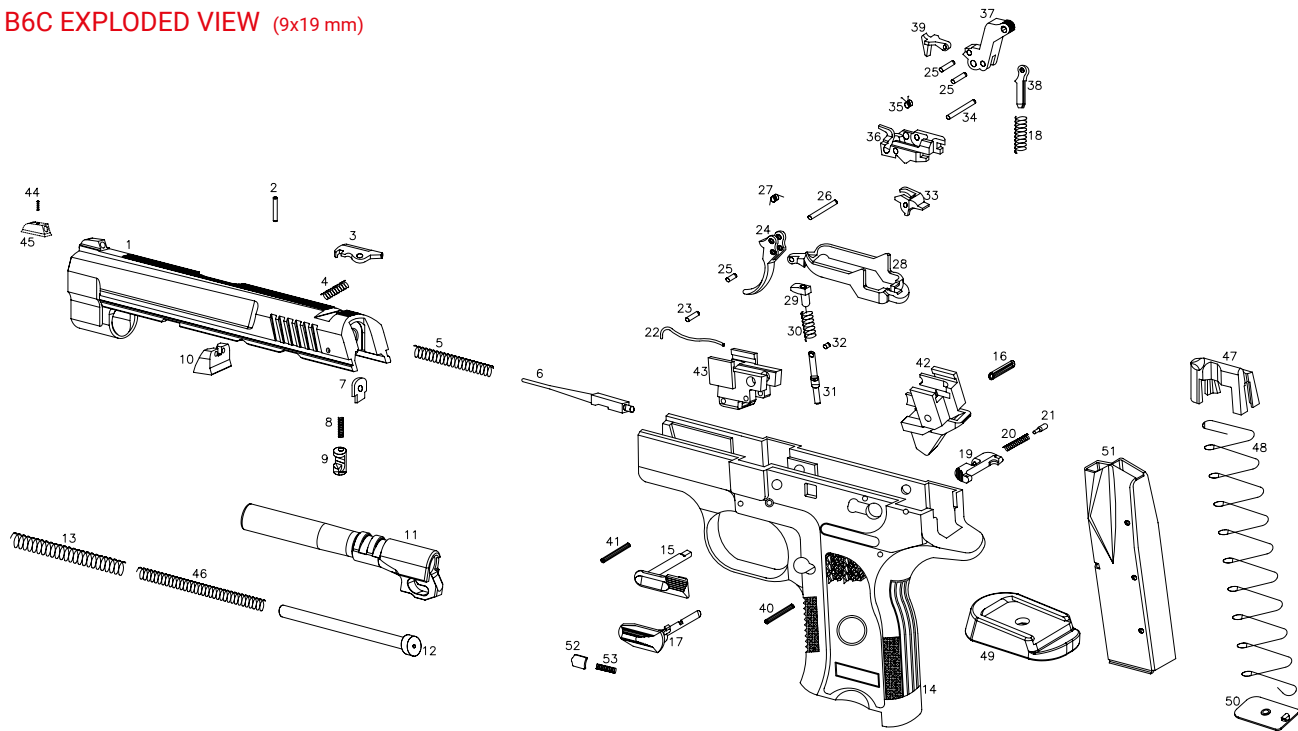


**Note:** Sarsilmaz reserves the right to make an amendment or change on features without notice when it is needed .

## PART LIST

NUMBER	PART NAME	NUMBER	PART NAME
1	SLIDE	27	TRIGGER REBOUND SPRING
2	EXTRACTOR PIN	28	TRIGGER BAR
3	EXTRACTOR	29	TRIGGER BAR GUIDE
4	EXTRACTOR SPRING	30	GUIDE SPRING
5	FIRING PIN SPRING	31	GUIDE PIN
6	FIRING PIN	32	GUIDE SPRING LOCK PIN
7	FIRING PIN STOP	33	SEAR
8	FIRING PIN RETAINER SPRING	34	SEAR PIN
9	FIRING PIN RETAINER	35	SEAR SPRING
10	REAR SIGHT	36	SEAR HOUSING
11	BARREL	37	HAMMER
12	RECOIL SPRING GUIDE	38	HAMMER STRUT
13	RECOIL SPRING	39	HAMMER CLAMP
14	FRAME	40	REAR HOUSE PIN
15	SLIDE RELEASE	41	FRONT HOUSE PIN
16	HAMMER STRUT PIN	42	REAR HOUSE
17	SAFETY LEVER	43	FRONT HOUSE
18	HAMMER SPRING	44	MAGAZINE TUBE
19	MAGAZINE RELEASE	45	FRONT SIGHT PIN
20	MAGAZINE RELEASE SPRING	46	FRONT SIGHT
21	MAGAZINE RELEASE PIN	47	FOLLOWER
22	SLIDE RELEASE SPRING	48	MAGAZINE SPRING
23	SPRING SUPPORT PIN	49	MAGAZINE BUTTPLATE CATCH
24	TRIGGER	50	MAGAZINE BUTTPLATE
25	TRIGGER&HAMMER PIN	51	SAFETY SHEET
26	TRIGGER AXLE	52	SAFETY SPRING

## 8.2. B6C EXPLODED VIEW (9x19 mm)

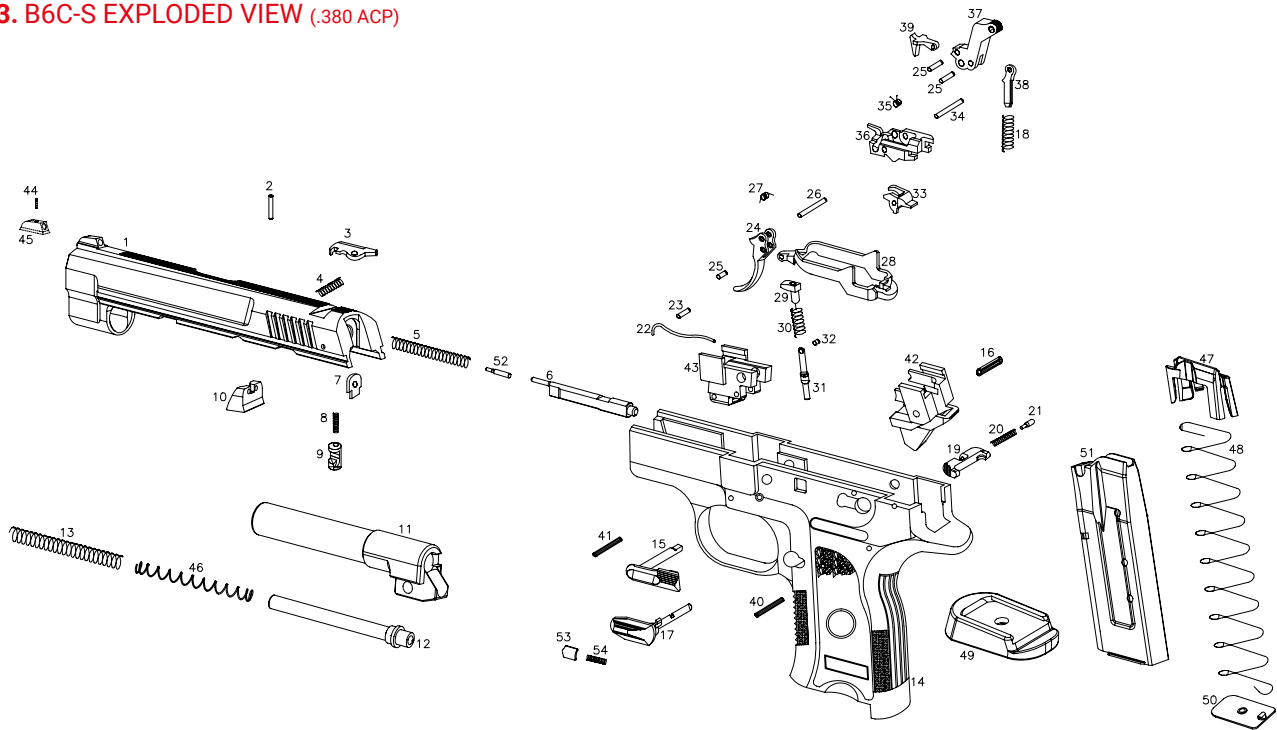


**Note:** Sarsılmaz reserves the right to make an amendment or change on features without notice when it is needed .

## PART LIST

NUMBER	PART NAME	NUMBER	PART NAME
1	SLIDE	27	TRIGGER REBOUND SPRING
2	EXTRACTOR PIN	28	TRIGGER BAR
3	EXTRACTOR	29	TRIGGER BAR GUIDE
4	EXTRACTOR SPRING	30	GUIDE SPRING
5	FIRING PIN SPRING	31	GUIDE PIN
6	FIRING PIN	32	GUIDE SPRING LOCK PIN
7	FIRING PIN STOP	33	SEAR
8	FIRING PIN RETAINER SPRING	34	SEAR PIN
9	FIRING PIN RETAINER	35	SEAR SPRING
10	REAR SIGHT	36	SEAR HOUSING
11	BARREL	37	HAMMER
12	RECOIL SPRING GUIDE	38	HAMMER STRUT
13	RECOIL SPRING 1	39	HAMMER CLAMP
14	FRAME	40	REAR HOUSE PIN
15	SLIDE RELEASE	41	FRONT HOUSE PIN
16	HAMMER STRUT PIN	42	REAR HOUSE
17	SAFETY LEVER	43	FRONT HOUSE
18	HAMMER SPRING	44	FRONT SIGHT PIN
19	MAGAZINE RELEASE	45	FRONT SIGHT
20	MAGAZINE RELEASE SPRING	46	RECOIL SPRING 2
21	MAGAZINE RELEASE PIN	47	FOLLOWER
22	SLIDE RELEASE SPRING	48	MAGAZINE SPRING
23	SPRING SUPPORT PIN	49	MAGAZINE BUTTPLATE
24	TRIGGER	50	MAGAZINE BUTTPLATE CATCH
25	TRIGGER&HAMMER PIN	51	MAGAZINE TUBE
26	TRIGGER AXLE	52	SAFETY SHEET
		53	SAFETY SPRING

### 8.3. B6C-S EXPLODED VIEW (.380 ACP)

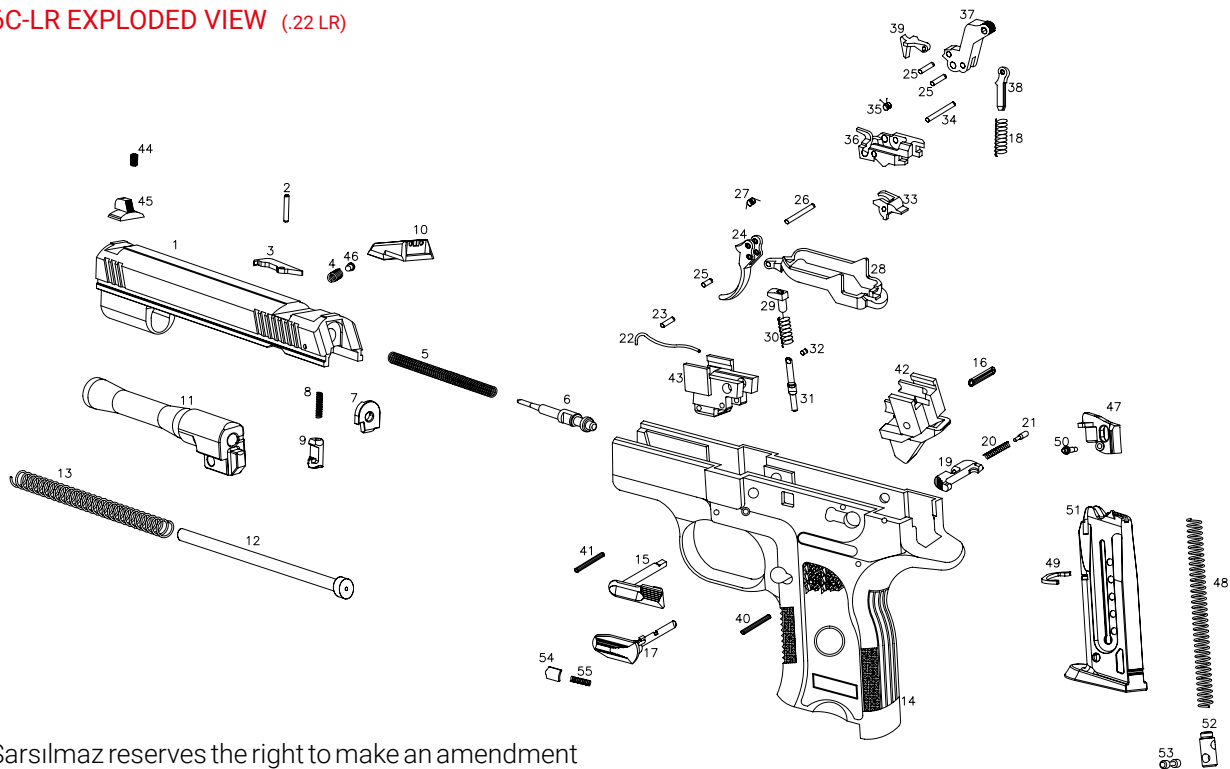


**Note:** Sarsılmaz reserves the right to make an amendment or change on features without notice when it is needed .

## PART LIST

NUMBER	PART NAME	NUMBER	PART NAME
1	SLIDE	28	TRIGGER BAR
2	EXTRACTOR GUIDE PIN	29	TRIGGER BAR GUIDE
3	EXTRACTOR	30	GUIDE SPRING
4	EXTRACTOR SPRING	31	GUIDE PIN
5	FIRING PIN SPRING	32	GUIDE SPRING LOCK PIN
6	FIRING PIN	33	SEAR
7	FIRING CATCH	34	SEAR PIN
8	FIRING PIN BLOCK SPRING	35	SEAR SPRING
9	FIRING PIN RETAINER	36	EJECTOR
10	REAR SIGHT	37	HAMMER
11	BARREL	38	HAMMER STRUT
12	RECOIL SPRING GUIDE	39	HAMMER CLAMP
13	RECOIL SPRING 1	40	REAR HOUSE PIN
14	FRAME	41	FRONT HOUSE PIN
15	SLIDE RELEASE	42	REAR HOUSE
16	HAMMER STRUT PIN	43	FRONT HOUSE
17	SAFETY LEVER	44	FRONT SIGHT PIN
18	HAMMER SPRING	45	FRONT SIGHT
19	MAGAZINE RELEASE	46	RECOIL SPRING 2
20	MAGAZINE RELEASE SPRING	47	FOLLOWER
21	MAGAZINE RELEASE PIN	48	MAGAZINE SPRING
22	NTA MANDAL YAYI	49	MAGAZINE FLOOR PLATE
23	YAY DESTEK PİMİ	50	MAGAZINE INSERT
24	TRIGGER	51	MAGAZINE TUBE
25	TRIGGER&HAMMER PIN	52	FIRING PIN SPRING HOLDER
26	TRIGGER AXLE	53	SAFETY SHEET
27	TRIGGER REBOUND SPRING	54	SAFETY SPRING

## 8.4. B6C-LR EXPLODED VIEW (.22 LR)



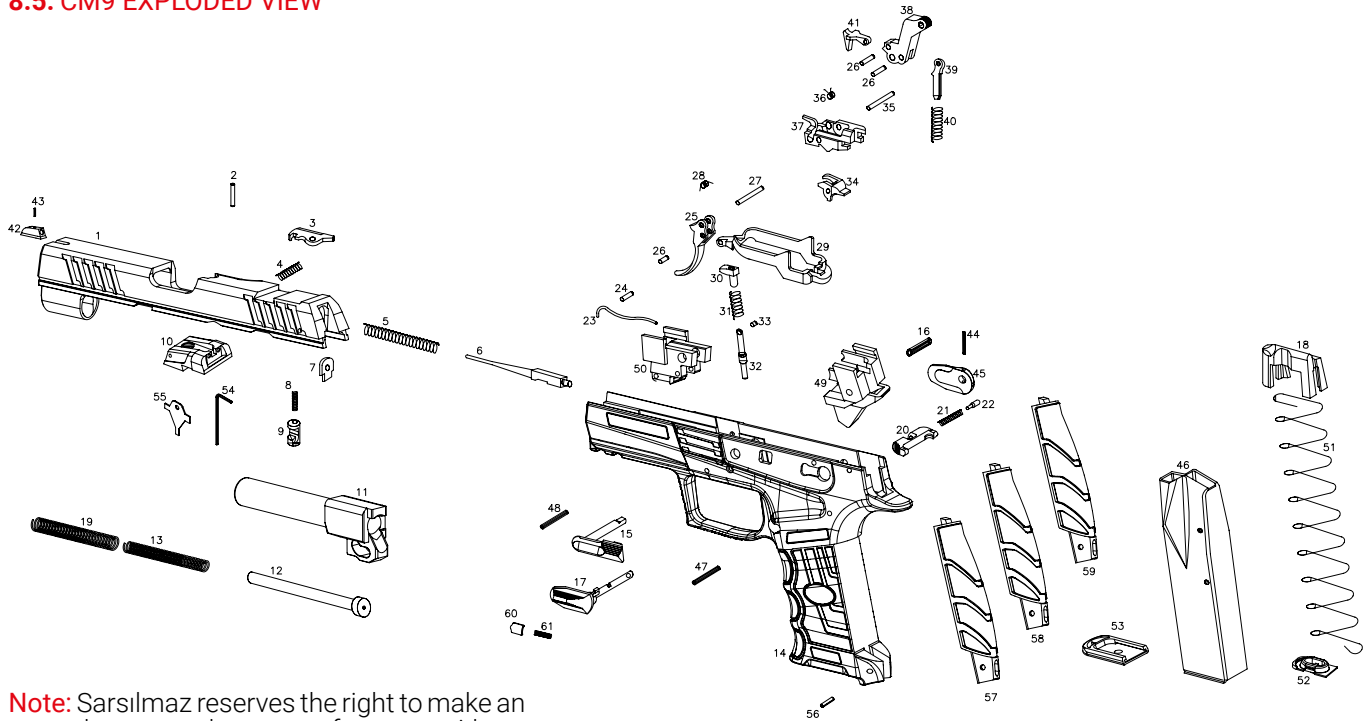
**Note:** Sarsılmaz reserves the right to make an amendment or change on features without notice when it is needed .



## PART LIST

NUMBER	PART NAME	NUMBER	PART NAME
1	SLIDE	28	TRIGGER BAR
2	EXTRACTOR GUIDE PIN	29	TRIGGER BAR GUIDE
3	EXTRACTOR	30	GUIDE SPRING
4	EXTRACTOR SPRING	31	GUIDE PIN
5	FIRING PIN SPRING	32	GUIDE SPRING LOCK PIN
6	FIRING PIN	33	SEAR
7	FIRING CATCH	34	SEAR PIN
8	FIRING PIN BLOCK SPRING	35	SEAR SPRING
9	FIRING PIN RETAINER	36	EJECTOR
10	REAR SIGHT	37	HAMMER
11	BARREL	38	HAMMER STRUT
12	RECOIL SPRING GUIDE	39	HAMMER CLAMP
13	RECOIL SPRING 1	40	REAR HOUSE PIN
14	FRAME	41	FRONT HOUSE PIN
15	SLIDE RELEASE	42	REAR HOUSE
16	HAMMER STRUT PIN	43	FRONT HOUSE
17	SAFETY LEVER	44	FRONT SIGHT PIN
18	HAMMER SPRING	45	FRONT SIGHT
19	MAGAZINE RELEASE	46	PISTONS OF NAIL
20	MAGAZINE RELEASE SPRING	47	FOLLOWER
21	MAGAZINE RELEASE PIN	48	MAGAZINE SPRING
22	NTA MANDAL YAYI	49	MAGAZINE FLOOR PLATE
23	YAY DESTEK PİMİ	50	TUB BEARING PIN
24	TRIGGER	51	MAGAZINE TUBE
25	TRIGGER&HAMMER PIN	52	BED PARTS CHARGER SPRING HOLE PIN
26	TRIGGER AXLE	53	BED PARTS CHARGER SPRING HOLE
27	TRIGGER REBOUND SPRING	54	SAFETY SHEET
		55	SAFETY SPRING

## 8.5. CM9 EXPLODED VIEW

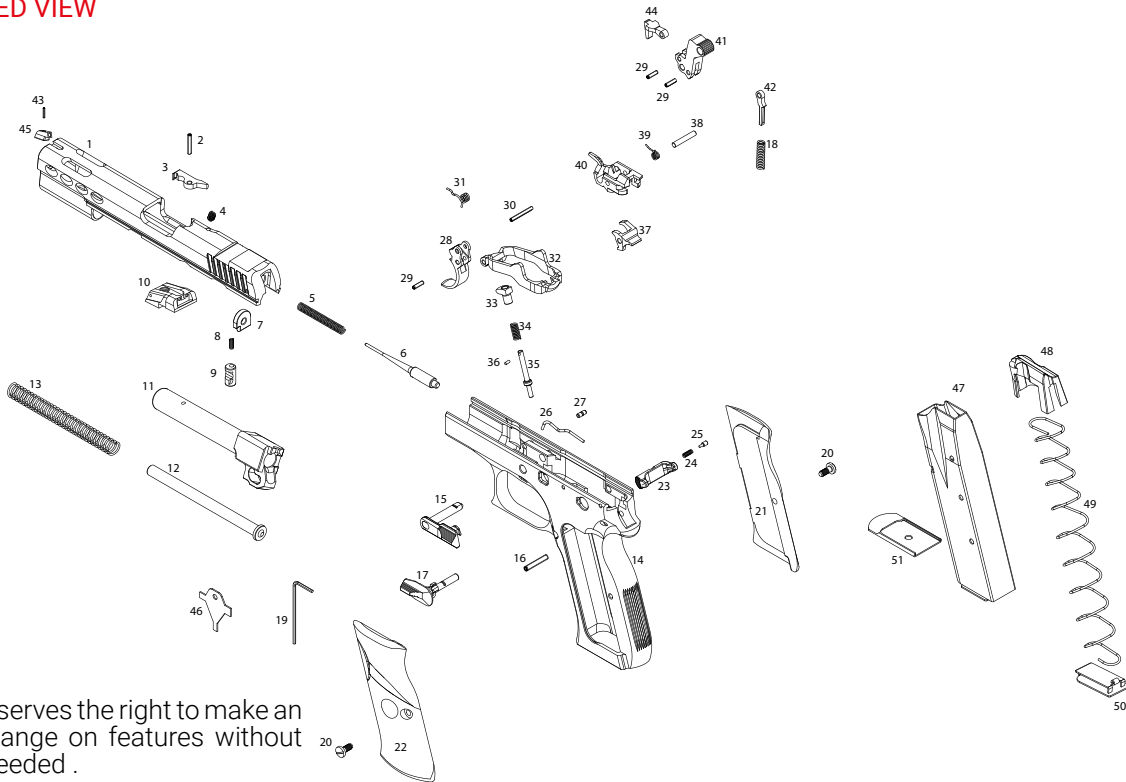


**Note:** Sarsilmaz reserves the right to make an amendment or change on features without notice when it is needed .

## PART LIST

NUMBER	PART NAME	NUMBER	PART NAME
1	SLIDE	31	GUIDE SPRING
2	EXTRACTOR PIN	32	GUIDE PIN
3	EXTRACTOR	33	GUIDE SPRING LOCK PIN
4	EXTRACTOR SPRING	34	SEAR
5	FIRING SPRING	35	SEAR PIN
6	FIRING PIN	36	SEAR SPRING
7	FIRING CATCH	37	EJECTOR
8	FIRING PIN BLOCK SPRING	38	HAMMER
9	FIRING PIN RETAINER	39	HAMMER STRUT
10	ADJUSTABLE REAR SIGHT	40	HAMMER SPRING
11	BARREL	41	HAMMER CLAMP
12	RECOIL SPRING GUIDE	42	FRONT SIGHT
13	RECOIL SPRING 2	43	FRONT SIGHT PIN
14	FRAME	44	SAFETY LEVER CAP PIN
15	SLIDE RELEASE	45	SAFETY LEVER CAP
16	HAMMER STRUT PIN	46	MAGAZINE TUBE
17	SAFETY LEVER	47	REAR HOUSE PIN
18	FOLLOWER	48	FRONT HOUSE PIN
19	RECOIL SPRING 1	49	REAR HOUSE
20	MAGAZINE RELEASE	50	FRONT HOUSE
21	MAGAZINE RELEASE SPRING	51	MAGAZINE SPRING
22	MAGAZINE RELEASE PIN	52	MAGAZINE INSERT
23	SLIDE RELEASE SPRING	53	MAGAZINE FLOOR PLATE
24	SPRING SUPPORT PIN	54	ALLEN KEY
25	TRIGGER	55	ADJUSTABLE REAR SIGHT KEY
26	TRIGGER&HAMMER PIN	56	BACK STRAP PIN
27	TRIGGER AXLE	57	BACK STRAP SMALL
28	TRIGGER SPRING	58	BACK STRAP MEDIUM
29	TRIGGER BAR	59	BACK STRAP LARGE
30	TRIGGER BAR GUIDE	60	SAFETY SHEET
		61	SAFETY SPRING

## 8.6. P8 L EXPLODED VIEW

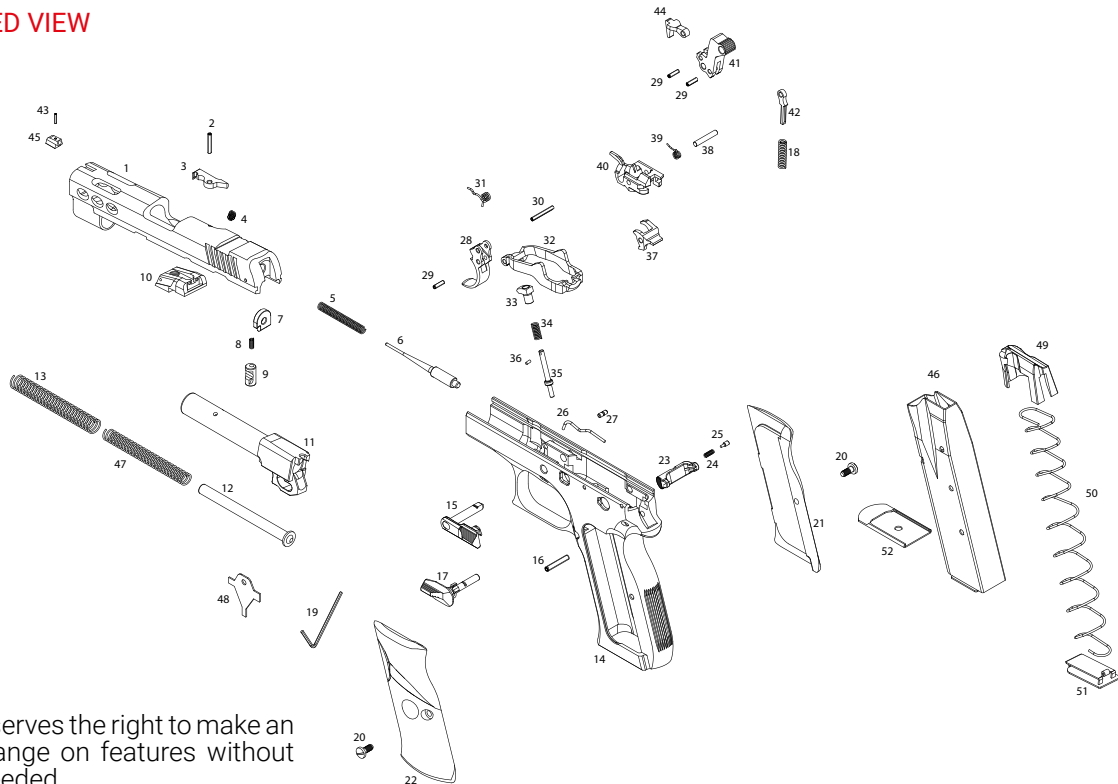


**Note:** Sarsilmaz reserves the right to make an amendment or change on features without notice when it is needed .

## PART LIST

NUMBER	PART NAME	NUMBER	PART NAME
1	SLIDE	27	SPRING SUPPORT PIN
2	EXTRACTOR PIN	28	TRIGGER
3	EXTRACTOR	29	TRIGGER&HAMMER PIN
4	EXTRACTOR SPRING	30	TRIGGER AXLE
5	FIRING PIN SPRING	31	TRIGGER REBOUND SPRING
6	FIRING PIN	32	TRIGGER BAR
7	FIRING PIN STOP	33	TRIGGER BAR GUIDE
8	FIRING PIN RETAINER SPRING	34	GUIDE SPRING
9	FIRING PIN RETAINER	35	GUIDE PIN
10	ADJUSTABLE REAR SIGHT	36	GUIDE SPRING LOCK PIN
11	BARREL	37	SEAR
12	RECOIL SPRING GUIDE	38	SEAR PIN
13	RECOIL SPRING	39	SEAR SPRING
14	FRAME	40	SEAR HOUSING
15	SLIDE RELEASE	41	HAMMER
16	HAMMER STRUT PIN	42	HAMMER STRUT
17	SAFETY LEVER	43	FRONT SIGHT PIN
18	HAMMER SPRING	44	HAMMER CLAMP
19	ALLEN KEY	45	FRONT SIGHT
20	GRIP SCREW	46	ADJUSTABLE REAR SIGHT KEY
21	GRIP-R	47	MAGAZINE TUBE
22	GRIP-L	48	FOLLOWER
23	MAGAZINE RELEASE	49	MAGAZINE SPRING
24	MAGAZINE RELEASE SPRING	50	MAGAZINE BUTTPLATE CATCH
25	MAGAZINE RELEASE PIN	51	MAGAZINE BUTTPLATE
26	SLIDE RELEASE SPRING		

## 8.7. P8 S EXPLODED VIEW

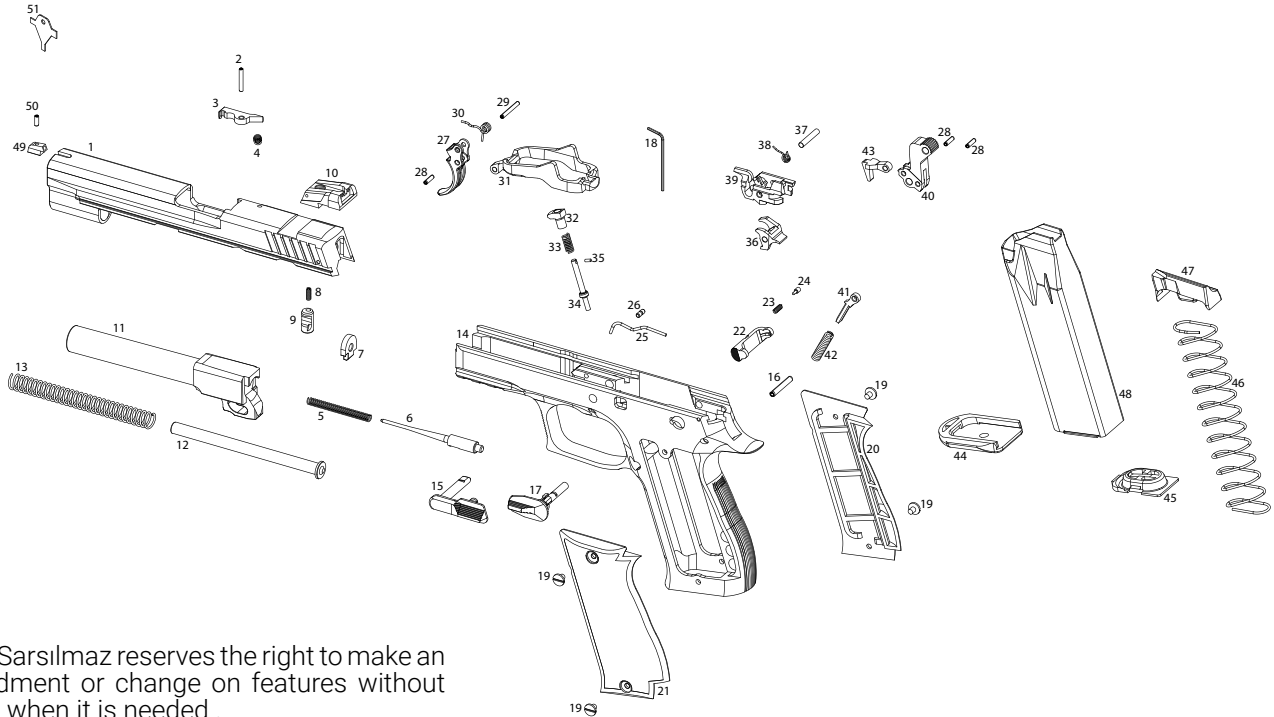


**Note:** Sarsilmaz reserves the right to make an amendment or change on features without notice when it is needed .

## PART LIST

NUMBER	PART NAME	NUMBER	PART NAME
1	SLIDE	27	SPRING SUPPORT PIN
2	EXTRACTOR PIN	28	TRIGGER
3	EXTRACTOR	29	TRIGGER&HAMMER PIN
4	EXTRACTOR SPRING	30	TRIGGER AXLE
5	FIRING PIN SPRING	31	TRIGGER REBOUND SPRING
6	FIRING PIN	32	TRIGGER BAR
7	FIRING PIN STOP	33	TRIGGER BAR GUIDE
8	FIRING PIN RETAINER SPRING	34	GUIDE SPRING
9	FIRING PIN RETAINER	35	GUIDE PIN
10	ADJUSTABLE REAR SIGHT	36	GUIDE SPRING LOCK PIN
11	BARREL	37	SEAR
12	RECOIL SPRING GUIDE	38	SEAR PIN
13	RECOIL SPRING 1	39	SEAR SPRING
14	FRAME	40	SEAR HOUSING
15	SLIDE RELEASE	41	HAMMER
16	HAMMER STRUT PIN	42	HAMMER STRUT
17	SAFETY LEVER	43	FRONT SIGHT PIN
18	HAMMER SPRING	44	HAMMER CLAMP
19	ALLEN KEY	45	FRONT SIGHT
20	GRIP SCREW	46	MAGAZINE TUBE
21	GRIP-R	47	RECOIL SPRING 2
22	GRIP-L	48	ADJUSTABLE REAR SIGHT KEY
23	MAGAZINE RELEASE	49	FOLLOWER
24	MAGAZINE RELEASE SPRING	50	MAGAZINE SPRING
25	MAGAZINE RELEASE PIN	51	MAGAZINE BUTTPLATE CATCH
26	SLIDE RELEASE SPRING	52	MAGAZINE BUTTPLATE

## 8.8. K2 45 EXPLODED VIEW



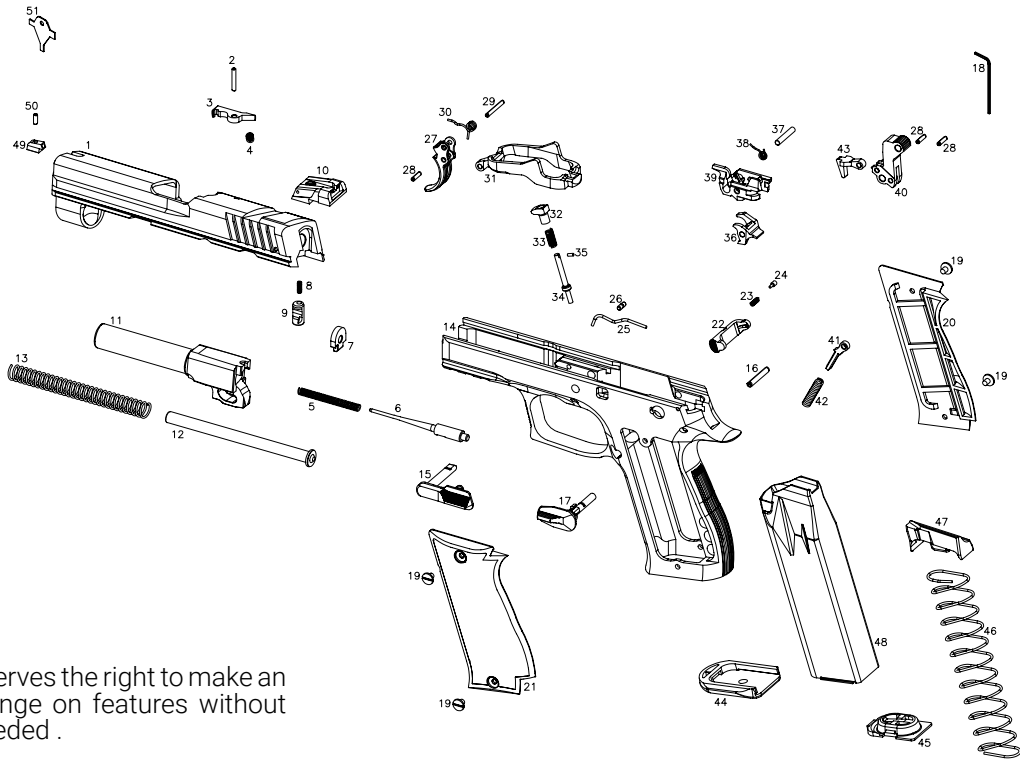
**Note:** Sarsilmaz reserves the right to make an amendment or change on features without notice when it is needed .



## PART LIST

NUMBER	PART NAME	NUMBER	PART NAME
1	SLIDE	27	TRIGGER
2	EXTRACTOR PIN	28	TRIGGER&HAMMER PIN
3	EXTRACTOR	29	TRIGGER AXLE
4	EXTRACTOR SPRING	30	TRIGGER REBOUND SPRING
5	FIRING PIN SPRING	31	TRIGGER BAR
6	FIRING PIN	32	TRIGGER BAR GUIDE
7	FIRING PIN STOP	33	GUIDE SPRING
8	FIRING PIN RETAINER SPRING	34	GUIDE PIN
9	FIRING PIN RETAINER	35	GUIDE SPRING LOCK PIN
10	ADJUSTABLE REAR SIGHT	36	SEAR
11	BARREL	37	SEAR PIN
12	RECOIL SPRING GUIDE	38	SEAR SPRING
13	RECOIL SPRING	39	SEAR HOUSING
14	FRAME	40	HAMMER
15	SLIDE RELEASE	41	HAMMER STRUT
16	HAMMER STRUT PIN	42	HAMMER SPRING
17	SAFETY LEVER	43	HAMMER CLAMP
18	ALLEN KEY	44	MAGAZINE BUTTPLATE
19	GRIP SCREW	45	MAGAZINE BUTTPLATE CATCH
20	GRIP-R	46	MAGAZINE SPRING
21	GRIP-L	47	FOLLOWER
22	MAGAZINE RELEASE	48	MAGAZINE TUBE
23	MAGAZINE RELEASE SPRING	49	FRONT SIGHT
24	MAGAZINE RELEASE PIN	50	FRONT SIGHT PIN
25	SLIDE RELEASE SPRING	51	ADJUSTABLE REAR SIGHT KEY
26	SPRING SUPPORT PIN		

## 8.9. K2-45 C EXPLODED VIEW

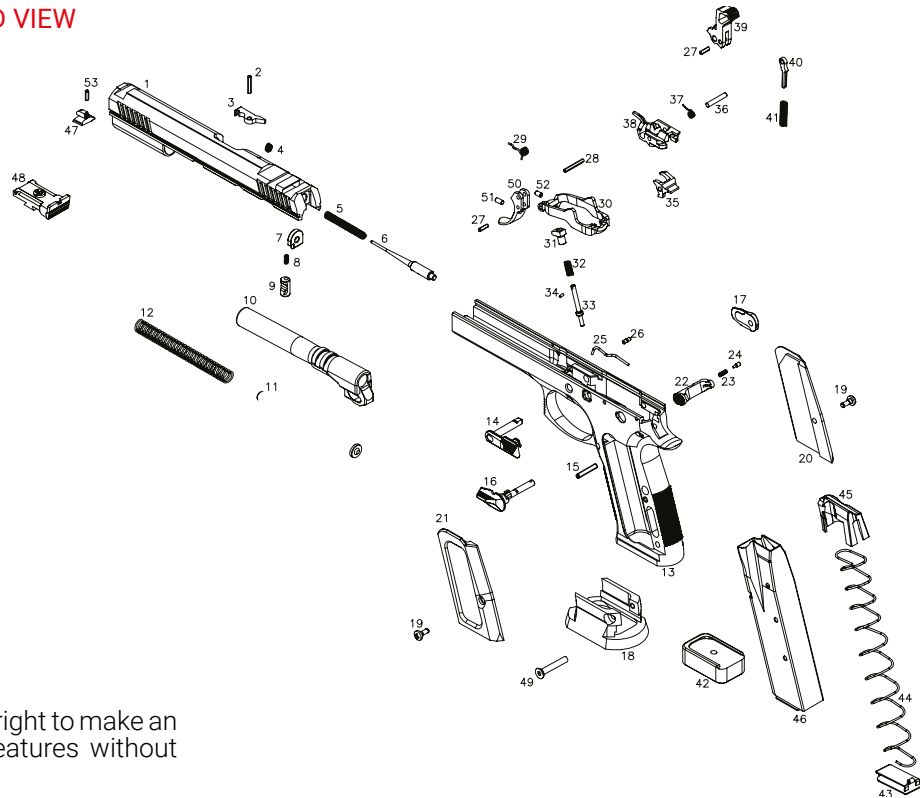


**Note:** Sarsilmaz reserves the right to make an amendment or change on features without notice when it is needed .

## PART LIST

NUMBER	PART NAME	NUMBER	PART NAME
1	SLIDE	27	TRIGGER
2	EXTRACTOR PIN	28	TRIGGER&HAMMER PIN
3	EXTRACTOR	29	TRIGGER AXLE
4	EXTRACTOR SPRING	30	TRIGGER SPRING
5	FIRING SPRING	31	TRIGGER BAR
6	FIRING PIN	32	TRIGGER BAR GUIDE
7	FIRING CATCH	33	GUIDE SPRING
8	FIRING PIN BLOCK SPRING	34	GUIDE PIN
9	FIRING PIN RETAINER	35	GUIDE SPRING LOCK PIN
10	ADJUSTABLE REAR SIGHT	36	SEAR
11	BARREL	37	SEAR PIN
12	RECOIL SPRING GUIDE	38	SEAR SPRING
13	RECOIL SPRING	39	EJECTOR
14	FRAME	40	HAMMER
15	SLIDE RELEASE	41	HAMMER STRUT
16	HAMMER STRUT PIN	42	HAMMER SPRING
17	SAFETY LEVER	43	HAMMER CLAMP
18	ALLEN KEY	44	MAGAZINE FLOOR PLATE
19	GRIP SCREW	45	MAGAZINE INSERT
20	RIGHT GRIP	46	MAGAZINE SPRING
21	LEFT GRIP	47	FOLLOWER
22	MAGAZINE RELEASE	48	MAGAZINE TUBE
23	MAGAZINE RELEASE SPRING	49	FRONT SIGHT
24	MAGAZINE RELEASE PIN	50	FRONT SIGHT PIN
25	SLIDE RELEASE SPRING	51	ADJUSTABLE REAR SIGHT KEY
26	SPRING SUPPORT PIN		

## 8.10. K-12 SPORT EXPLODED VIEW

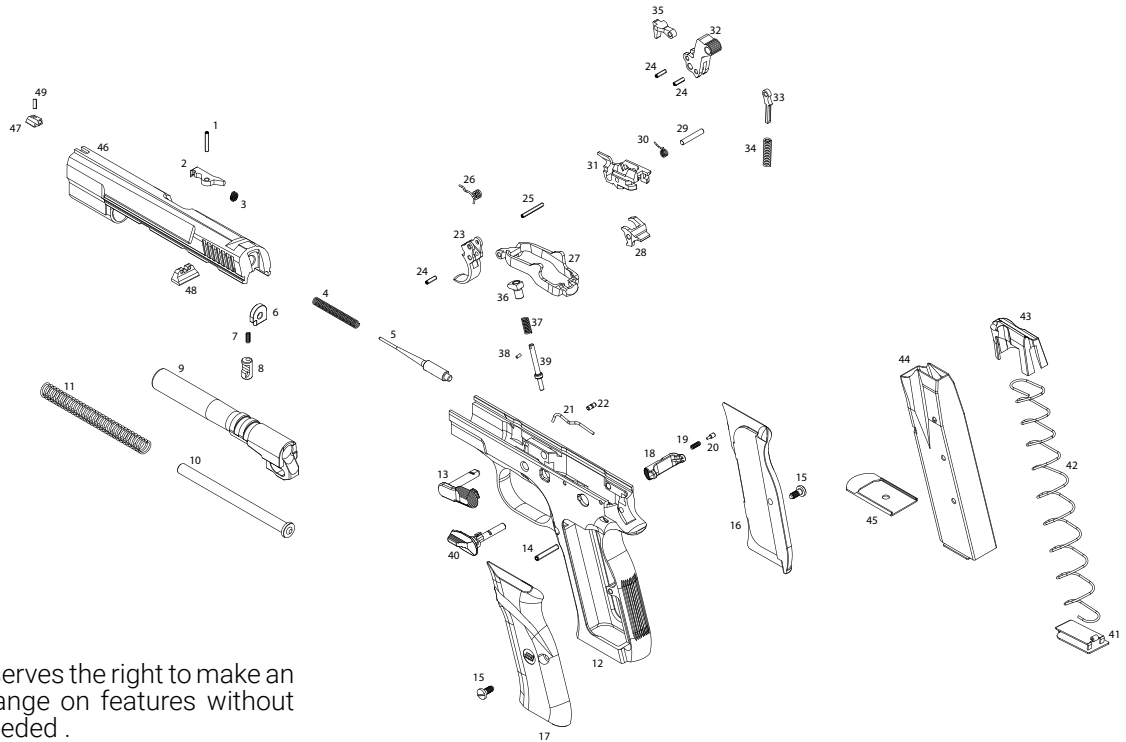


**Note:** Sarsilmaz reserves the right to make an amendment or change on features without notice when it is needed .

## PART LIST

NUMBER	PART NAME	NUMBER	PART NAME
1	SLIDE	28	TRIGGER AXLE
2	EXTRACTOR PIN	29	TRIGGER REBOUND SPRING
3	EXTRACTOR	30	TRIGGER BAR
4	EXTRACTOR SPRING	31	TRIGGER BAR LONG PIN
5	FIRING PIN SPRING	32	GUIDE SPRING
6	FIRING PIN	33	GUIDE PIN
7	FIRING CATCH	34	GUIDE SPRING LOCK PIN
8	FIRING PIN BLOCK SPRING	35	SEAR
9	FIRING PIN RETAINER	36	SEAR PIN
10	BARREL	37	SEAR SPRING
11	RECOIL SPRING GUIDE	38	EJECTOR
12	RECOIL SPRING	39	HAMMER
13	FRAME	40	HAMMER STRUT
14	SLIDE RELEASE	41	HAMMER SPRING
15	HAMMER STRUT PIN	42	MAGAZINE FLOOR PLATE
16	SAFETY LEVER (LEFT)	43	MAGAZINE INSERT
17	SAFETY LEVER (RIGHT)	44	MAGAZINE SPRING
18	BOTTOM GRIP	45	FOLLOWER
19	GRIP SCREW	46	MAGAZINE TUBE
20	RIGHT GRIP	47	FRONT SIGHT
21	LEFT GRIP	48	REAR SIGHT
22	MAGAZINE RELEASE	49	BOTTOM GRIP SCREW
23	MAGAZINE RELEASE SPRING	50	TRIGGER
24	MAGAZINE RELEASE PIN	51	FRONT TRIGGER ADJUSTMENT
25	SLIDE RELEASE SPRING	52	REAR TRIGGER ADJUSTMENT
26	SPRING SUPPORT PIN	53	FRONT SIGHT SCREW
27	TRIGGER&HAMMER PIN		

## 8.11. 2000 EXPLODED VIEW



**Note:** Sarsilmaz reserves the right to make an amendment or change on features without notice when it is needed .

## PART LIST

NUMBER	PART NAME	NUMBER	PART NAME
1	EXTRACTOR PIN	26	TRIGGER REBOUND SPRING
2	EXTRACTOR	27	TRIGGER BAR
3	EXTRACTOR SPRING	28	SEAR
4	FIRING PIN SPRING	29	SEAR PIN
5	FIRING PIN	30	SEAR SPRING
6	FIRING PIN STOP	31	SEAR HOUSING
7	FIRING PIN RETAINER SPRING	32	HAMMER
8	FIRING PIN RETAINER	33	HAMMER STRUT
9	BARREL	34	HAMMER SPRING
10	RECOIL SPRING GUIDE	35	HAMMER CLAMP
11	RECOIL SPRING	36	TRIGGER BAR GUIDE
12	FRAME	37	GUIDE SPRING
13	SLIDE RELEASE	38	GUIDE SPRING LOCK PIN
14	HAMMER STRUT PIN	39	GUIDE PIN
15	GRIP SCREW	40	SAFETY LEVER
16	GRIP-R	41	MAGAZINE BUTTPLATE CATCH
17	GRIP-L	42	MAGAZINE SPRING
18	MAGAZINE RELEASE	43	FOLLOWER
19	MAGAZINE RELEASE SPRING	44	MAGAZINE TUBE
20	MAGAZINE RELEASE PIN	45	MAGAZINE BUTTPLATE
21	SLIDE RELEASE SPRING	46	SLIDE
22	SPRING SUPPORT PIN	47	FRONT SIGHT
23	TRIGGER	48	REAR SIGHT
24	TRIGGER&HAMMER PIN	49	FRONT SIGHT PIN
25	TRIGGER AXLE		





NOTE:

A series of horizontal dotted lines for writing.



NOTE:

A series of horizontal dotted lines for writing notes.

SAR USA  
1-833-SAR-GUNS  
1-833-727- 4867  
[www.sarusa.com](http://www.sarusa.com)