



Semi-Automatic Pistol
Cal. .22 WMR



Read the instructions and warnings in this manual
CAREFULLY BEFORE using this firearm.

WARNING:

READ THESE INSTRUCTIONS AND WARNINGS CAREFULLY. BE SURE YOU UNDERSTAND THESE INSTRUCTIONS AND WARNINGS BEFORE USING THIS FIREARM. FAILURE TO READ THESE INSTRUCTIONS AND TO FOLLOW THESE WARNINGS MAY RESULT IN SERIOUS INJURY OR DEATH TO YOU AND OTHERS.

This SAFETY & INSTRUCTION MANUAL should always accompany this firearm and be transferred with it upon change of ownership or when presented to another person.

A copy of the SAFETY & INSTRUCTION MANUAL is available FREE upon request from:

WALTHER ARMS, Inc.
Attn: Service Dept
7700 Chad Colley Boulevard
Fort Smith, AR 72916

Phone: 1-479-242-8500 ext. 507
E-mail: customerservice@waltherarms.com
www.WaltherArms.com

Note: This manual refers to the use of the pistol by civilian users. Instructions for law enforcement use may differ from what is described in this manual. Throughout this instruction manual, position designations such as “left”, “right”, “forward”, “rear”, and so on, are referenced to a pistol held in a normal firing position. In other words, pointed away from the shooter, barrel in a generally horizontal direction, and with the grip of the pistol pointing downwards. Explanations in this manual are based on right hand operation. Left-handed users should operate vice versa. Note that the illustrations in this manual are for explanation purposes and may differ from the actual gun.

DISCLAIMER OF LIABILITY: The first concern when handling any firearm is safety. Failure to follow the instructions in this manual could result serious bodily injury or even death. WALTHER® specifically disclaims any and all liability from anyone arising out of the use of this firearm and its accessories. Under no circumstances shall WALTHER® be responsible for incidental or consequential damages with respect to economic loss or injury to persons or property due to negligence, improper use, failure to follow instructions in this manual, unsafe handling, failure to maintain the pistol, unauthorized replacement of parts, disregard of statutory rules or laws or any other modification to the pistol.



CONTENTS

1. YOUR SAFETY RESPONSIBILITIES	4 – 11
1.1 Safety is your number one responsibility!	4 – 8
1.2 Safe storage and transportation	9 – 11
2. AMMUNITION	12
3. PRODUCT DESCRIPTION	13 – 15
3.1 Functional elements	13
3.2 Drop safety (automatic internal safety)	14
3.3 Magazine release	14
3.4 Slide stop	15
4. OPERATING INSTRUCTIONS	16 – 21
4.1 Inspection before use	16
4.2 Inspection after use	16
4.3 Loading	17
4.3.1 Loading the magazine	17
4.3.2 Loading the pistol	18
4.4 Firing	18
4.5 Magazine change	19
4.6 Unloading the pistol	19
4.7 Clearing misfires	20
4.8 Decocking the hammer	21
5. STRIPPING, LUBRICATION, MAINTENANCE	22 – 24
5.1 Stripping / reassembly of main assemblies	22 – 23
5.2 Cleaning	24
6. ADJUSTING THE PISTOL	25 – 28
6.1 Sight	25
6.2 Optics mounting system	26 – 28
7. SPECIAL ACCESSORIES	29
8. STORAGE	29
9. REPAIR OF WALTHER® PISTOLS	30
10. WARRANTY	31 – 33

1. YOUR SAFETY RESPONSIBILITIES

1.1 Safety is your number one responsibility!

At home, in the field, at the range, or anywhere, the first concern of every firearm owner should be safety. Apply the following safety rules in every situation, with any kind of firearm. If you feel uncertain about any operational aspects of your handgun, please contact

WALTHER ARMS, Inc. at 1-479-242-8500 ext. 507 before proceeding with its operation.

⚠ WARNING:

YOU MUST FOLLOW ALL OF THESE SAFETY RULES TO ENSURE THE SAFE USE OF YOUR FIREARM. THE FAILURE TO FOLLOW THESE BASIC FIREARM SAFETY RULES MAY RESULT IN AN UNINTENDED DISCHARGE WHICH COULD CAUSE SERIOUS PERSONAL INJURY OR DEATH TO YOU OR OTHERS AND DAMAGE TO PROPERTY.

- **ALWAYS KEEP YOUR FIREARM POINTED IN A SAFE DIRECTION.**
Never point a firearm at anyone or anything you do not intend to shoot, whether or not it is loaded. This is particularly important when loading, unloading, or field stripping the gun. ALWAYS control the direction of the firearm.
- **ALWAYS TREAT EVERY FIREARM AS IF IT IS LOADED AND WILL FIRE IF THE TRIGGER IS PULLED.**
Do not take anyone's word that the firearm is unloaded – always check for yourself. Never pass your firearm to another person until the action is open and you visually check that it is unloaded. Keep your firearm unloaded and safely stored when not in use.



1. YOUR SAFETY RESPONSIBILITIES

- **NEVER PLACE YOUR FINGER INSIDE THE TRIGGER GUARD OR ON THE TRIGGER UNLESS YOU INTEND TO FIRE.**

Ensure that other objects do not touch the trigger.

- **ALWAYS BE SURE OF YOUR TARGET AND WHAT IS BEYOND IT.**

Always be sure of where the bullet will strike and shoot only where there is a safe back stop free of obstructions, water or other surfaces which can cause ricochets. Be sure your bullet will stop behind your target. Bullets can glance off many surfaces like rocks or surface water and travel in unpredictable directions with considerable velocity. Do not fire randomly into the sky.

- **NEVER CROSS OBSTACLES SUCH AS FENCES OR STREAMS WITH A LOADED FIREARM.**

- **SAFE GUN HANDLING IS YOUR PERSONAL RESPONSIBILITY** at all times. Firearms are dangerous and can cause serious injury or death if they are misused or used inappropriately. Safety must be the prime consideration of anyone who owns or handles firearms. Accidents are the result of violating the rules of safe gun handling and common sense. Firearm safety training is available. Contact your dealer, law enforcement agency, local sportsman's club, etc. for availability.

- **YOU ARE RESPONSIBLE FOR THE FIREARM AT ALL TIMES.**

In owning a firearm, you must undertake full-time responsibility for your firearm's safety and security. You must protect yourself and all others against injury or death from misuse of the firearm 24 hours a day.

- **FIREARM SECURITY IS YOUR RESPONSIBILITY.** You must secure firearms safely from children and/or unauthorized users. Your firearm should always be kept unloaded and locked when not in use. A lock has been provided for this purpose. Never assume that the use of this lock is sufficient to safely secure your firearm.

You must always evaluate your personal situation and employ the security system(s) that meets your needs and prevents children and unauthorized users from gaining access to your firearm.

- **APPROPRIATE USE FOR YOUR FIREARM MEANS USING YOUR FIREARM FOR LEGAL PURPOSES.** For example - target shooting and lawful resistance of deadly criminal force. It is your responsibility to ensure that you are in compliance with all applicable laws and ordinances regarding the use of your firearm.
- **NEVER RELY ON MECHANICAL FEATURES ALONE.** Only your safe gun-handling habits will ensure the safe use of your firearm. This is your responsibility
- **ALWAYS SAFELY STORE AND SECURE YOUR FIREARM.**
Safe and secure storage of your firearm is one of your most important responsibilities. It is a full-time responsibility. You must always secure your firearm and ammunition separately so that they are not accessible to children and/or other unauthorized persons.
- **NEVER KEEP AMMUNITION IN THE SAME LOCATION AS THE HANDGUN.**
Store each in a separate and secure place.
- **ALWAYS WEAR EYE AND EAR PROTECTORS THAT ARE SPECIFIED FOR FIREARM USE** every time you discharge your firearm. Make sure others in the vicinity of where you will be shooting do so as well.
- **NEVER USE ALCOHOL OR DRUGS BEFORE OR WHILE SHOOTING.**
Do not use your firearm if you are on any medication which impairs, even slightly, your mental or physical ability.



1. YOUR SAFETY RESPONSIBILITIES

- **ALWAYS HAVE ADEQUATE VENTILATION.**
Discharging firearms in poorly ventilated areas, cleaning firearms, or handling ammunition may result in exposure to lead and other substances known to cause birth defects, reproductive harm, and other serious physical injury. Review the warnings and labels for all ammunition and cleaning products carefully. Wash hands thoroughly after exposure.
- **BEFORE HANDLING ANY FIREARM, UNDERSTAND ITS OPERATION.**
Not all firearms are the same. Familiarize yourself with the mechanical features of any firearm you intend to use. If you feel uncertain about any operational aspects of your handgun, please contact WALTHER ARMS, Inc. at 1-479-242-8500 ext. 507 before proceeding with its operation.
- **NEVER ALLOW A FIREARM TO BE USED BY INDIVIDUALS WHO DO NOT UNDERSTAND ITS SAFE OPERATION OR HAVE NOT READ THESE FIREARM SAFETY RULES.**
- **ALWAYS USE THE CORRECT AMMUNITION FOR YOUR PARTICULAR FIREARM** as indicated by the marking on the barrel. Never use non-standard, reloaded, or “handloaded” ammunition which has not been subjected to internal ballistic pressure testing.
- **BEWARE OF BARREL OBSTRUCTIONS.** Be sure the barrel is clear of obstructions before shooting. Mud, water snow or other objects may inadvertently lodge in the barrel bore. A small obstruction can cause a dangerous increase in pressure and may damage your firearm and cause injury to yourself and others.
- **BE SURE ALL ACCESSORIES, SUCH AS HOLSTERS AND GRIPS, ARE COMPATIBLE** with the handgun and that the accessories do not interfere with safe operation.

- **NEVER DISASSEMBLE YOUR HANDGUN** beyond the field stripping procedure outlined in this manual. Improper disassembly or reassembly of your handgun may be dangerous and can lead to serious injury or death.
- **NEVER MANIPULATE, ADJUST OR CHANGE ANY OF THE INTERNAL COMPONENTS OF YOUR FIREARM** including the firing, sear, or drawbar. Improper manipulation of any internal component may affect the safety and reliability of your firearm and may cause serious injury or death.
- **NEVER ALLOW ANY ALTERATION OR REPLACEMENT OF PARTS IN YOUR WALTHER® FIREARM UNLESS PERFORMED BY A QUALIFIED GUNSMITH** using genuine WALTHER® parts. If you do otherwise, improper functioning of your firearm may occur and serious injury or death and damage to property may result.



WARNING

SAFE USE OF A FIREARM IS YOUR PERSONAL RESPONSIBILITY AND THE FAILURE TO FOLLOW ALL OF THESE BASIC SAFETY RULES MAY RESULT IN SEVERE PERSONAL INJURY OR DEATH TO YOU OR OTHERS. YOU ARE THE MOST IMPORTANT SAFETY DEVICE WHEN IT COMES TO THE USE OF YOUR FIREARM AND WALTHER® WILL NOT BE RESPONSIBLE FOR ANY PERSONAL INJURY, DEATH OR PROPERTY DAMAGE THAT RESULTS FROM:

- (1) THE CRIMINAL OR NEGLIGENT USE OF THIS HANDGUN;
- (2) A DISREGARD OF THESE SAFETY INSTRUCTIONS AND WARNINGS;
- (3) IMPROPER OR CARELESS HANDLING OF THIS FIREARM;
- (4) THE USE OF NON-STANDARD, DEFECTIVE, IMPROPER OR RELOADED AMMUNITION; OR
- (5) IMPROPER OR NEGLIGENT MODIFICATIONS OR REPAIRS TO THE HANDGUN.

1. YOUR SAFETY RESPONSIBILITIES

1.2 Safe storage and transportation



WARNING

FIREARMS ARE DANGEROUS WHEN USED AND STORED IMPROPERLY – THEY POSE A RISK OF SERIOUS OR FATAL INJURIES.

FIREARMS CAN BE ESPECIALLY DANGEROUS TO CHILDREN WHEN THEY ARE STORED IN AN IRRESPONSIBLE AND UNSAFE MANNER.

FOR YOUR SAFETY AND THE SAFETY OF OTHERS, IT IS IMPERATIVE THAT YOU KEEP YOUR FIREARM LOCKED AND UNLOADED IN A SECURE PLACE.

THE AMMUNITION SHOULD BE STORED IN A SEPARATE, SECURE LOCATION WHEN IT IS NOT IN USE.

SAFE AND SECURE STORAGE OF YOUR FIREARM IS ONE OF THE MOST IMPORTANT RULES OF FIREARM SAFETY.

YOUR FAILURE TO FOLLOW THESE RULES MAY RESULT IN SERIOUS INJURY OR DEATH TO YOU OR OTHERS.

- **ALWAYS SECURE YOUR FIREARM IN A MANNER THAT WILL PREVENT UNAUTHORIZED ACCESS.**
- Whenever your firearm is not in use, keep it unloaded and locked. Your safety and the safety of others requires that you always secure and store your firearm in a manner that will prevent unauthorized access. Never leave a firearm unattended unless it is locked, unloaded and secured.
- **ALWAYS USE THE LOCK PROVIDED BY WALTHER® TO SECURE YOUR FIREARM.**
- Please read and follow the instructions packaged separately for the use of this lock. A lock, when properly used, can be an effective tool in preventing unauthorized access to your firearm. There are other alternative locks and safe storage containers available in the marketplace which may also be appropriate for your particular needs.

- Consult your local gun shop, hardware store, or local police department for guidance on the variety of other safe storage devices or practices which may be appropriate for your particular needs. By purchasing this firearm you have accepted the responsibility of safely securing the firearm at all times and preventing its unauthorized use. Never assume that the use of this lock alone is sufficient to safely secure your firearm. It is your personal responsibility to select and use whatever measures or practices that will enable you to be absolutely certain that your firearm is secure at all times.

⚠ WARNING: NEVER LOCK A LOADED FIREARM AND NEVER LOAD A LOCKED FIREARM.

- **ALWAYS STORE YOUR FIREARM AND AMMUNITION SEPARATELY** so that they are not accessible to children or other unauthorized persons. Safe and secure storage of your firearm and ammunition are your responsibility. It is a full-time responsibility.
- **NEVER ASSUME THAT A “HIDING” PLACE IS A SECURE STORAGE METHOD.** Others may be aware of your storage location or come upon it by chance. It is your personal responsibility to use common sense when storing your firearm and ammunition and to always make sure they are not accessible to children or other unauthorized persons.
- **NEVER TRANSPORT A LOADED FIREARM.** When transporting your firearm, be sure it is unloaded and locked. Safe and secure transportation of your firearm is your responsibility.



1. YOUR SAFETY RESPONSIBILITIES

- **ALWAYS FOLLOW THE LAW!**

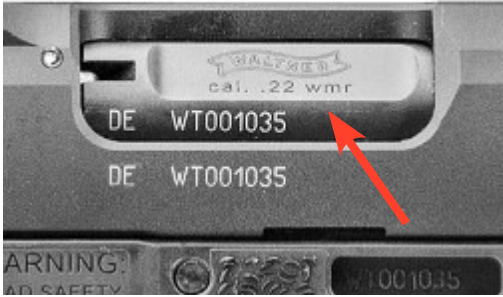
Many jurisdictions have laws that make it a crime to keep a firearm unlocked and in an area accessible to children or others. Keeping a firearm locked and unloaded when not in use is not only common sense safety practice ... IT IS THE LAW. You must be familiar with all local, state, and federal laws regarding the safe storage and transportation of your firearm. Failure to know and follow the law may result in unauthorized access or use of your firearm by another. Obey all laws relating to the storage and transportation of firearms. Your local police department or gunshop can furnish you with available information on storing and/or transporting a firearm safely and legally.

- **YOUR FIREARM IS YOUR RESPONSIBILITY.**

You must prevent your firearm from being stolen or from being used by untrained or unqualified individuals. Keep it locked, unloaded and secured when not in use.

WMP

2. AMMUNITION



- Use only commercially manufactured ammunition with internal ballistic pressure which is in strict accordance with the specifications of the Sporting Arms and Ammunition Manufacturers Institute (SAAMI). If you are uncertain, contact your ammunition supplier for verification.

! WARNING:

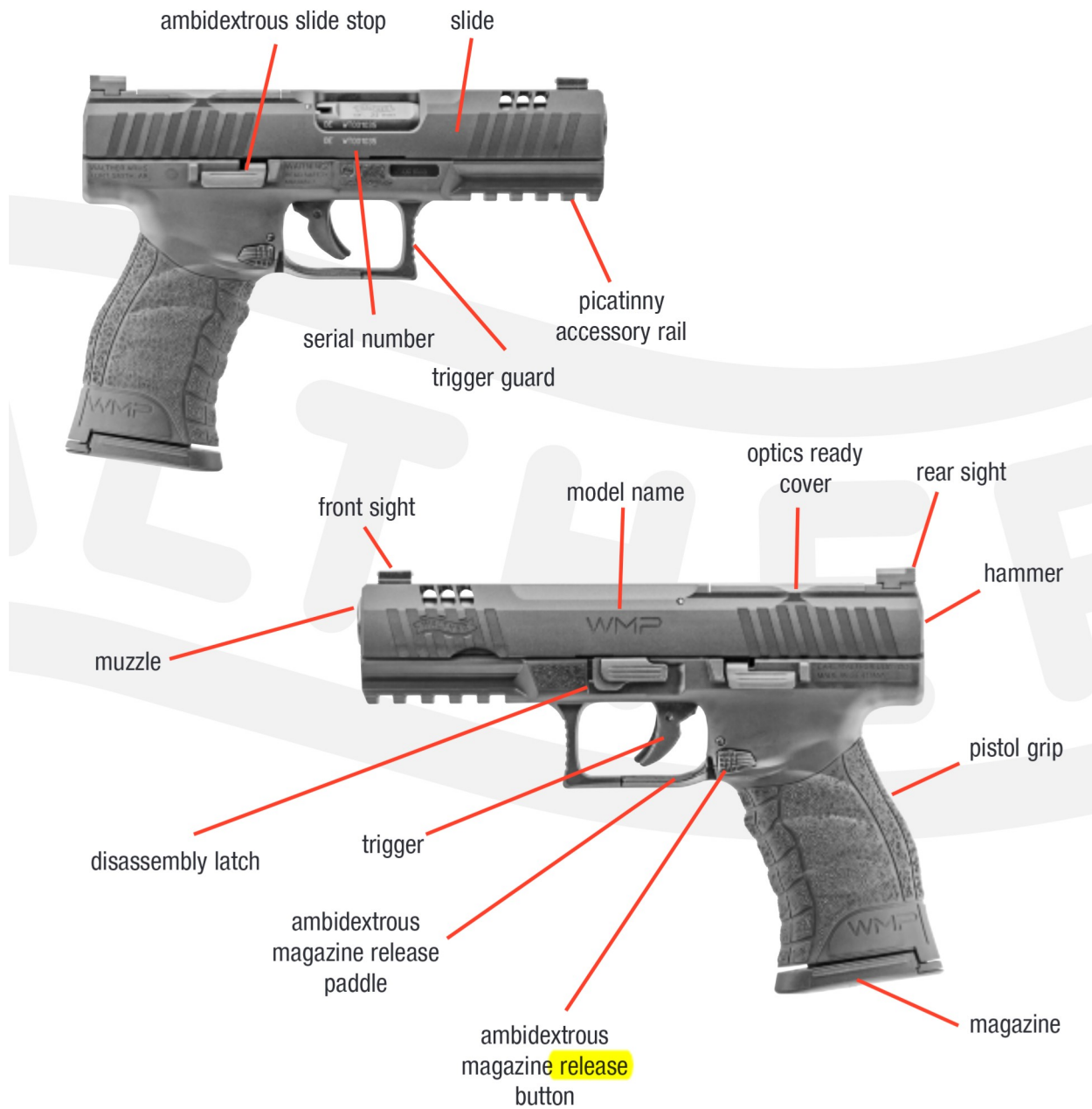
NEVER USE AMMUNITION NOT SPECIFICALLY DESIGNATED FOR USE IN YOUR FIREARM. FAILURE TO USE THE SPECIFIC CARTRIDGE INTENDED FOR USE IN THE PISTOL MAY CAUSE THE PISTOL TO JAM, FAIL TO FIRE OR EVEN GENERATE EXCESSIVE GAS PRESSURE WHICH CAN DAMAGE OR DESTROY THE PISTOL, CAUSE PERSONAL INJURY, DEATH OR PROPERTY DAMAGE.

2. AMMUNITION

- Use only ammunition specifically recommended by WALTHER® for your firearm.
- Never mix ammunition.
- Never use a cartridge not specifically designated for use in your firearm. Pressure from the wrong type of ammunition may exceed the capability of your firearm and may damage or even rupture your firearm.
- In some cases, a round of ammunition not specified for your handgun may fit into the chamber Firing ammunition not specified on your handgun may cause it to rupture and cause serious injury or death to you or others.
- Always inspect your ammunition before using it. Never use dirty, corroded or damaged ammunition which can lead to a burst cartridge which may cause damage to the handgun and personal injury or death.

3. PRODUCT DESCRIPTION

3.1 Functional elements



3.2 Drop safety

The drop safety acts when the pistol is dropped from a variety of heights and positions. It prevents inadvertent firing of a round if the trigger has not been pulled.



CAUTION

DO NOT RELY ON MECHANICAL SAFETIES. KEEP YOUR MIND ON POSSIBLE HAZARDS AND AVOID SITUATIONS THAT COULD LEAD TO AN ACCIDENT.

3.3 Magazine release

The magazine release is located at the side of the frame (Fig. 2). It contains paddle style levers as well as buttons. The magazine release is fully ambidextrous as each button and paddle is working independently.

Operation:

Keep your finger out of the trigger guard and do not touch the trigger until you are ready to fire. To remove the magazine, the push button can be pressed from both sides to release the magazine. When using the paddle release, push down one of the two paddles. Both are integrated into the trigger guard, one on each side.



fig. 2

3. PRODUCT DESCRIPTION

3.4 Slide stop

To lock the slide in the open position:

Keep your finger out of the trigger guard and do not touch the trigger. Remove the magazine. Then grasp the serrated sides of the slide from the rear with the thumb and fingers and draw the slide fully rearward. If there is a round in the chamber, it will be drawn out and ejected. Lock the slide in the open position by allowing the slide to move slightly forward from the rearmost position while pressing upward on the slide stop (Fig. 3).



To release the slide stop:

Using the thumb of your shooting hand, press down on the slide stop and allow the slide to ride forward.

4.1 Inspection before use

! WARNING:

MAKE SURE THAT THE PISTOL IS UNLOADED (CHAMBER CLEARED, BARREL CLEAR OF ANY OBSTRUCTIONS, MAGAZINE EMPTY) FOR INSPECTION

Functional inspection

1. Check to make sure the chamber and magazine are empty. Remove the magazine, retract the slide. After the slide has been released, the recoil spring will return the slide fully forward into battery.
2. Insert the empty magazine, retract the slide. The slide should be locked back in its rearmost position by the slide stop lever.
3. Remove the magazine, pull the slide back slightly and release the slide. After the slide has been released, the recoil spring should return the slide fully forward into battery.
4. To decock the gun, (check to make sure the chamber and magazine are empty) insert the empty magazine and pull the trigger.
5. Insert the empty magazine, fully retract the slide. The slide must be retained in its rearmost position by the slide stop lever.
6. Press the slide stop lever down. The recoil spring should return the slide fully forward into battery. Decock the gun.

! WARNING:

KEEP THE FIREARM POINTED IN A SAFE DIRECTION WHEN DECOCKING. FAILURE TO DO THIS CAN RESULT IN SERIOUS INJURY OR DEATH.

4.2 Inspection after use

! WARNING:

MAKE SURE THAT THE PISTOL IS UNLOADED (CHAMBER AND BARREL MUST BE CLEAR) AFTER USE, THAT THE MAGAZINE IS EMPTY, AND THAT THE SAFETY IS ENGAGED. POINT MUZZLE IN A SAFE DIRECTION AND DECOCK THE HAMMER.

4. OPERATING INSTRUCTIONS

4.3 Loading

4.3.1 Loading the magazine

Press magazine catch and remove empty magazine (fig. 4). Use the side-mounted button to push the follower down and insert the cartridge under the magazine lips (fig. 5). Do not use force. Damaged magazine lips will cause malfunctions and will render the weapon useless. Tap the back of the loaded magazine against the palm of your hand. Properly positioned spelling at the back of the loaded magazine improves functional performance. When a magazine is to be emptied, remove the cartridges one after the other by pushing toward the front of the magazine. Push the loaded magazine into the magazine well until the **magazine release** locks it.



fig. 4

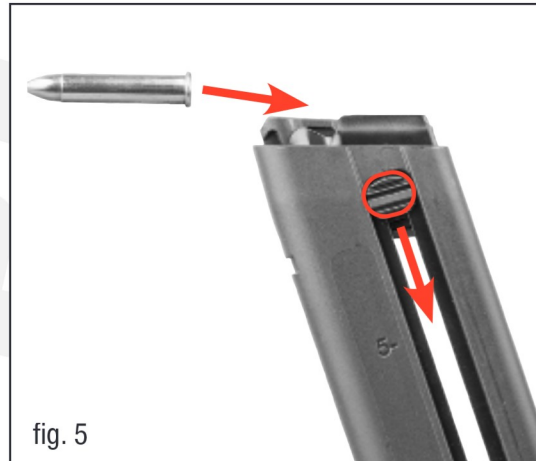


fig. 5

⚠ WARNING:

ALWAYS LOAD A ROUND INTO THE CHAMBER BY FEEDING IT FROM THE MAGAZINE. FAILURE TO DO THIS CAN RESULT IN SERIOUS INJURY OR DEATH. NEVER TRY TO LOAD THE PISTOL VIA THE OPEN EJECTION PORT.

⚠ WARNING:

THE WMP .22 WMR IS DESIGNED SO THAT IT IS ABLE TO FIRE WHEN THE MAGAZINE IS REMOVED. THUS, IF THE MAGAZINE IS REMOVED AND THERE IS A LOADED ROUND IN THE CHAMBER, IT WILL FIRE IF THE TRIGGER IS PULLED.

4.3.2 Loading the pistol

- Inspect the pistol as described in 4.1.
- Make sure your pistol is pointed in a safe direction. Keep your finger outside the trigger guard and do not touch the trigger. Insert the loaded magazine into the magazine well of the pistol until it is locked in place. Make sure the magazine is locked in place by pulling down on the magazine bottom. The magazine must not come out.
- Pull back the slide and then allow it to spring forward.

⚠ WARNING:

YOUR FIREARM IS NOW READY TO FIRE. KEEP YOUR FINGER OFF THE TRIGGER AND OUT OF THE TRIGGER GUARD UNTIL YOU ARE READY TO FIRE.

4.4 Firing

- Point the pistol in a safe direction. Keep your finger away from the trigger and outside the trigger guard until you intend to shoot.
- Take advantage of the pistols ergonomic form by gripping it as high up as possible. This will give you better control of the pistol when firing.
- While holding the grip firmly, place your finger flat on the trigger and squeeze it with steady increasing force until the shot is fired. Upon firing, the slide moves rearward, thereby extracting and ejecting the spent cartridge case. The slide then returns forward, feeding the next cartridge from the magazine into the barrel chamber.
- After firing, take your finger off the trigger and keep it outside the trigger guard until you are ready to fire again. This sequence can be repeated until the last round has been fired.
- After the final shot, the magazine follower exerts upward pressure on the slide stop, causing it to engage the slide and hold it in the open position.

4. OPERATING INSTRUCTIONS

4.5 Magazine change

After the final shot the magazine follower exerts upward pressure on the slide stop, causing it to engage the slide and hold it in the open position.

- Depress the magazine release button or the magazine release paddle and remove the magazine.
- Load a new magazine.
- Pull back the slide and then allow it to spring forward or press the slide stop.

WARNING:

YOUR FIREARM IS NOW READY TO FIRE. KEEP YOUR FINGER OFF THE TRIGGER AND OUT OF THE TRIGGER GUARD UNTIL YOU ARE READY TO FIRE.

4.6 Unloading the pistol

- Point the pistol in a safe direction. Keep your finger out of the trigger guard and do not touch the trigger. Depress the magazine release button or the magazine release paddle.
- Grasp the serrated sides of the slide from the rear with the thumb and fingers and draw the slide fully rearward. If there is a round in the chamber, it will be drawn out and ejected. Do not obstruct the ejection port because doing so can interfere with ejection of a cartridge.
- Lock the slide in the open position by allowing the slide to move slightly forward from the rearmost position while pressing upward on the slide stop.
- Make sure that no cartridge is left in the chamber. Make sure that the magazine well is empty.
- Unload the magazine by holding it with the bullet end of the cartridge pointing away from you and pressing each cartridge forward and out of the magazine.

WARNING:

MAKE SURE THAT THE PISTOL IS NOT LOADED (NO ROUND IN BARREL OR CHAMBER), THAT A SAFETY SNAP CAP (BLUE FLAG) IS INSERTED AND THAT THE MAGAZINE IS EMPTY.

⚠ WARNING:

REMEMBER THAT ANY TIME YOU RELEASE THE SLIDE WHILE A MAGAZINE CONTAINING CARTRIDGES IS IN THE PISTOL, YOU WILL HAVE RELOADED THE CHAMBER AND THE PISTOL WILL BE CAPABLE OF FIRING.

4.7 Clearing misfires

- If a cartridge fails to fire, wait 60 seconds while keeping the muzzle pointed in a safe direction.
- Unload the pistol as described in 4.6.
- You are now able to safely check the barrel chamber and bore visually for any obstructions.

⚠ WARNING:

MAKE SURE THAT THE PISTOL IS NOT LOADED (NO ROUND IN BARREL OR CHAMBER), THAT A SAFETY SNAP CAP (BLUE FLAG) IS INSERTED AND THAT THE MAGAZINE IS EMPTY.

⚠ WARNING:

NEVER TRY TO USE A MISFIRED CARTRIDGE AGAIN.



4. OPERATING INSTRUCTIONS

4.8 Decocking the hammer

- Point the pistol in a safe direction. Keep your finger out of the trigger guard and do not touch the trigger. Depress the magazine release button or the magazine release paddle and remove the magazine.
- Grasp the serrated sides of the slide from the rear with the thumb and fingers and draw the slide fully rearward. If there is a round in the chamber, it will be drawn out and ejected. Do not obstruct the ejection port because doing so can interfere with ejection of a cartridge.
- Make sure that the pistol is not loaded (no round in barrel or chamber, magazine empty).
- Allow the slide to move fully forward.
- Remember that any time you release the slide while a magazine containing cartridges is in the pistol, you will have reloaded the chamber and the pistol will be capable of firing.
- Squeeze trigger to decock the firearm.
- The firearm may now be transported safely.

! WARNING:

KEEP THE FIREARM POINTED IN A SAFE DIRECTION WHEN DECOCKING. FAILURE TO DO THIS CAN RESULT IN SERIOUS INJURY OR DEATH.

5.1 Stripping/reassembly of main assemblies

! WARNING:

OBSERVE THE FOLLOWING STRIPPING INSTRUCTIONS VERY CLOSELY. NEVER DO ANYTHING BEYOND WHAT YOU ARE SPECIFICALLY INSTRUCTED TO DO IN THIS MANUAL. NEVER ALTER OR MODIFY THE PARTS IN YOUR FIREARM.

! WARNING:

ALWAYS WEAR EYE PROTECTION THAT IS SPECIFIED FOR USE WITH FIREARMS. THIS ALSO APPLIES TO CLEANING AND MAINTENANCE.

! WARNING:

BEFORE STRIPPING THE PISTOL, REMOVE THE MAGAZINE AND MAKE SURE THAT THE PISTOL IS NOT LOADED.

! WARNING:

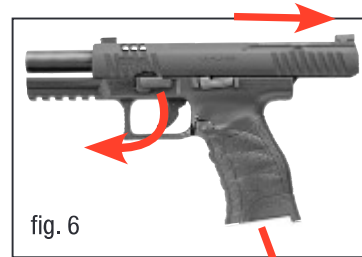
NEVER PULL THE TRIGGER WHEN THE SLIDE IS NOT MOUNTED AS THIS CAN CAUSE DAMAGE.

Do not strip down the pistol any further than shown in this manual. Further stripping, incorrect reassembly and non-compliance with the manual shall exempt the manufacturer from any warranty claims to injury or damage suffered.

5. STRIPPING, CLEANING, LUBRICATION, AND MAINTENANCE

Stripping:

- Unload the pistol:
Remove the magazine and lock the slide in the open position. The chamber and magazine well must be empty.
- Turn the disassembly lever clockwise 90° (fig. 6).
- Pull the slide all the way back and let it glide forward (fig. 7).
- Turn the slide assembly upside down and remove the slide spring by pulling it out.
- Lift the barrel up and remove it from the slide.
- Fig. 8 shows the pistol stripped down to its main assemblies.



Assembly:

- Reassembly is in the reverse order.



WARNING:

BEFORE CHANGING THE BARREL, REMOVE THE MAGAZINE AND MAKE SURE THAT THE WEAPON IS UNLOADED.

5.2 Cleaning

In order to keep the firearm functional and to extend its service life, the firearm should be cleaned and maintained at regular intervals.

⚠ WARNING:

REMOVE THE MAGAZINE, OPEN THE SLIDE, AND INSPECT THE CHAMBER TO MAKE SURE IT IS EMPTY.

⚠ WARNING:

BEFORE YOU CLEAN THE PISTOL, MAKE SURE THAT IT IS POINTED IN A SAFE DIRECTION AND IS NOT LOADED (MAGAZINE REMOVED, CHAMBER CLEARED, SAFETY SNAP CAP WITH BLUE FLAG INSERTED, BARREL CLEAR OF ANY OBSTRUCTIONS).

- Insert an EMPTY magazine and pull back the slide until it locks in the open position.
- Remove the magazine.
- Check that there is no ammunition in the pistol.
- Remove the slide as described in 5.1.
- Remove fouling from the slide, magazine lips, follower and frame with a brush and a cloth.
- Clean the barrel with a suitable bore solvent and a brush and then dry it with cleaning patches; always begin at the chamber. Repeat until barrel is clean.
- Apply a thin coat of oil to all metal parts. Reassemble the pistol and check for proper function.

6. ADJUSTING THE PISTOL

6.1 Sights

WARNING:

BEFORE MAKING THE ADJUSTMENT REMOVE THE MAGAZINE AND MAKE SURE THAT THE PISTOL IS NOT LOADED.

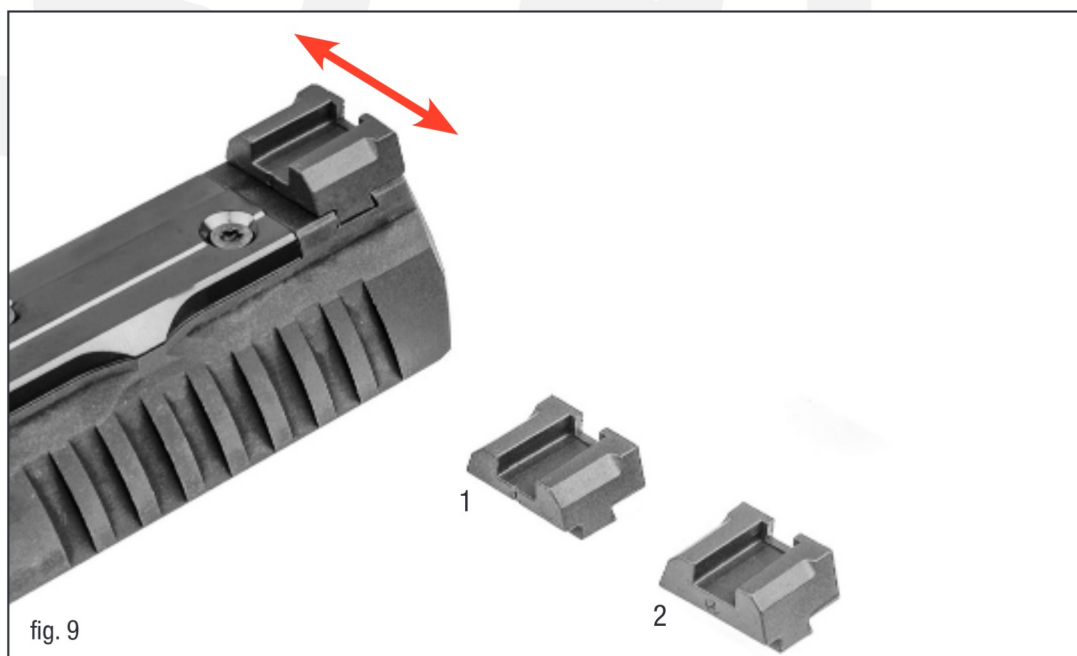
The rear sight allows you to correct the impact point for elevation and windage.

Windage adjustment:

Move the rear sight in the opposite direction you wish the group to move on the target. For example, if your shots should group to the right, move the rear sight to the left.

Elevation adjustment:

Replace the rear sight to adjust the height.



6.2 Optics mounting system

The Optics Mounting System allows the installation of many available pistol compatible optical sights as well as slide cover to cover the mounting surface if an optical sight is not installed.

The Optics Mounting System consists of a cut in the top of the slide, adapter and screws. To install a different optic or slide cover:

Loosen and remove the two screws holding the optic or slide cover to the slide of the pistol by turning the screws counter clockwise (fig. 10).

- Remove the slide cover or the optic plus adapterplate
- Inspect and clean the mounting surface on the top of the slide.

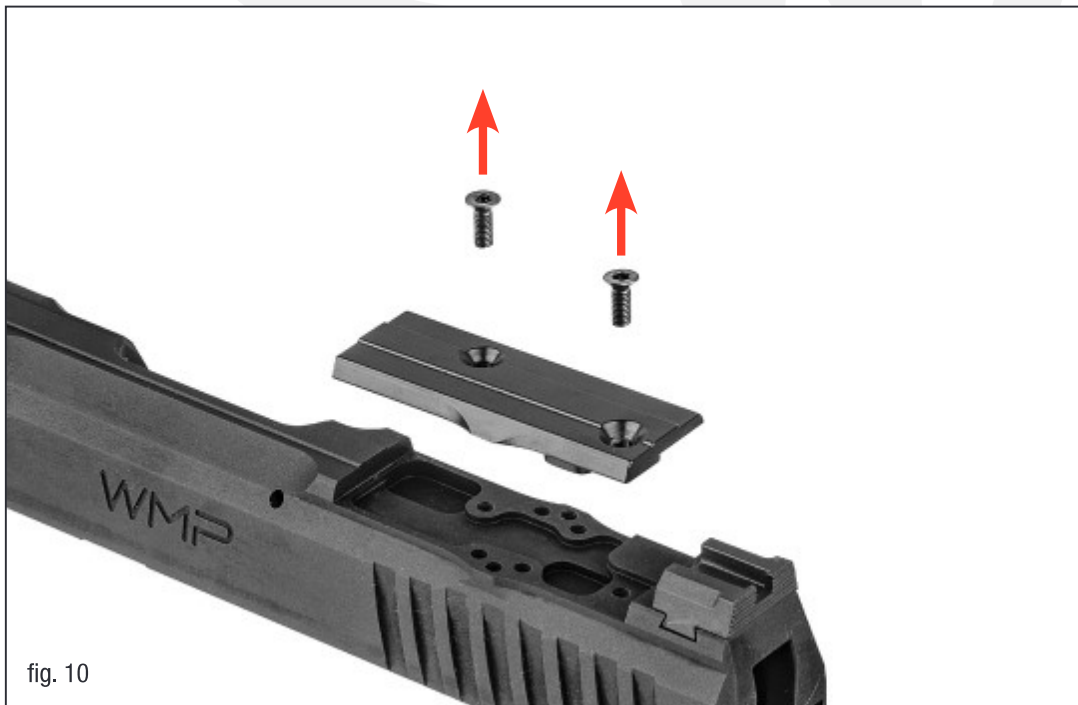


fig. 10

6. ADJUSTING THE PISTOL

- Select the appropriate adapter and screws to match the optic to be installed.
Note: A table with adapter information can be found later in this section.
- Remove all lubrication from the mounting screws and the mounting screw holes that will be used to install the selected optic or slide cover.
- Place the adapter in the slide cut. (fig. 11).
- Set the optic or slide cover on top of the slide and adapter.
- Start both mounting screws and tighten them down clock-wise with finger pressure with T10 Torx wrench.

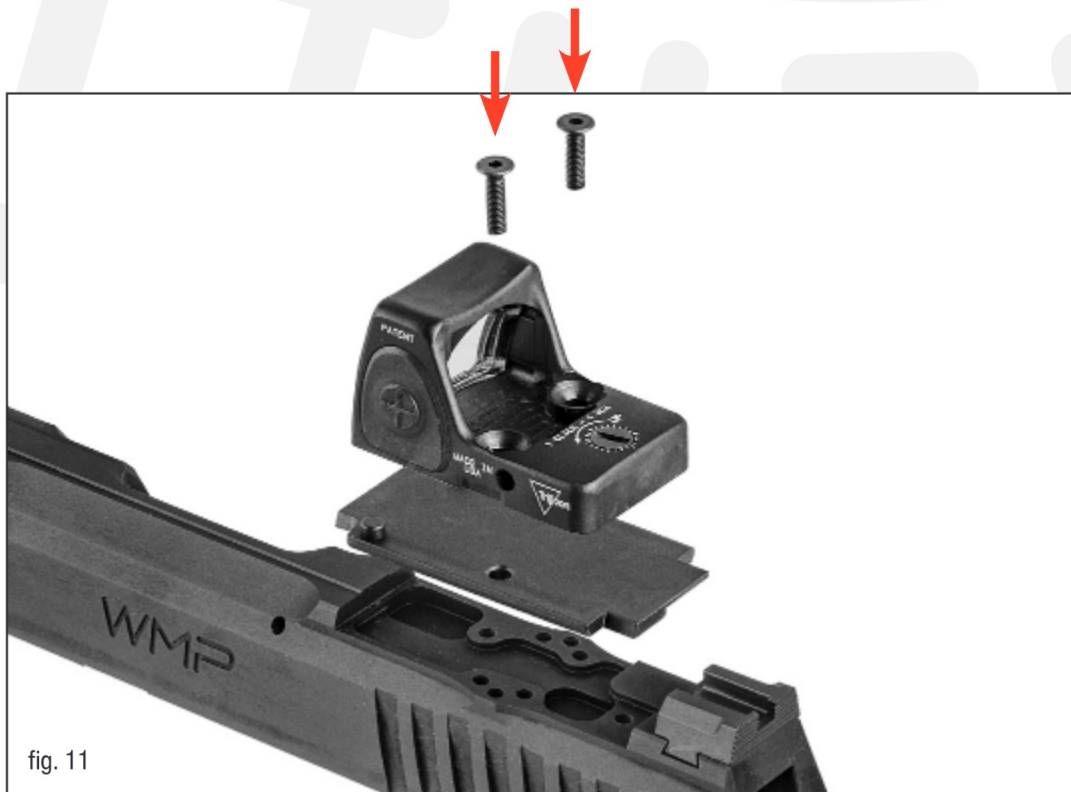


fig. 11

WMP

6. ADJUSTING THE PISTOL



NOTE: Do not use thread locker. The fastening system used on the Optics Mounting System is self-locking and does not require thread locker to remain tight when in use. Use of a thread locker may make it difficult or impossible to remove the optic or slide cap without damage to the components.

Many optics will allow for use of the existing open sights. If the optic that you have chosen allows this functionality, the optic can be adjusted to match the point of impact of the open sights closely by adjusting the aiming point of the optical sight to coincide with the aligned open sights.

	Adapter	Screw (colour)
Slide cover	522.40.15.1	522.40.17.3
Trijicon RMR	522.41.15.1	522.41.16.3 (red)
Docter optic	522.42.15.1	522.42.16.3 (green)
Vortex venom	522.42.15.1	522.42.16.3 (green)
Shield	522.43.15.1	522.42.16.3 (green)

7. SPECIAL ACCESSORIES
8. STORAGE



7. Special accessories



TX 10 Wrench
art.-no.:
522.40.18.3



Magazine
art.-no.:
522.615
522.610

8. Storage



WARNING:

NEVER LEAVE A LOADED FIREARM UNATTENDED AND NEVER STORE YOUR FIREARM IN A LOADED POSITION.

Always store your pistol in an unloaded condition with the safety in the safe position. Keep the pistol and ammunition away from children and unauthorized persons. Firearms should be stored separately from ammunition.

9. Repair



CAUTION

A FIREARM WHICH FAILS TO FUNCTION PROPERLY IS DANGEROUS. IT SHOULD BE SAFELY STORED IN A WAY THAT PREVENTS ITS USE UNTIL IT IS REPAIRED.



WARNING:

ONLY AN AUTHORIZED AND QUALIFIED GUNSMITH SHOULD INSPECT AND REPAIR YOUR FIREARM!

Do not repair or modify any parts on your pistol. Failure to use a certified technician could lead to serious injury or death.



WARNING

THIS HANDGUN IS NOT EQUIPPED WITH A DEVICE THAT FULLY BLOCKS USE BY UNAUTHORIZED USERS. MORE THAN 200,000 FIREARMS LIKE THIS ONE ARE STOLEN FROM THEIR OWNERS EVERY YEAR IN THE UNITED STATES. IN ADDITION, THERE ARE MORE THAN A THOUSAND SUICIDES EACH YEAR BY YOUNGER CHILDREN AND TEENAGERS WHO GET ACCESS TO FIREARMS. HUNDREDS MORE DIE FROM ACCIDENTAL DISCHARGE. IT IS LIKELY THAT MANY MORE CHILDREN SUSTAIN SERIOUS WOUNDS OR INFLECT SUCH WOUNDS ACCIDENTALLY ON OTHERS. IN ORDER TO LIMIT THE CHANCE OF SUCH MISUSE, IT IS IMPERATIVE THAT YOU KEEP THIS WEAPON LOCKED IN A SECURE PLACE AND TAKE OTHER STEPS NECESSARY TO LIMIT THE POSSIBILITY OF THEFT OR ACCIDENT. FAILURE TO TAKE REASONABLE PREVENTATIVE STEPS MAY RESULT IN INNOCENT LIVES BEING LOST, AND IN SOME CIRCUMSTANCES MAY RESULT IN YOUR LIABILITY FOR THESE DEATHS.



10. WARRANTY

10. THE WALTHER LEGENDARY LIFETIME LIMITED WARRANTY

- The Walther Legendary Lifetime Limited Warranty gives you absolute confidence in your decision when you purchase a WALTHER. With WALTHER, you can rely on the precision of German engineering and the dependability of an American guarantee. Our warranty provides unwavering support for your new firearm and continues for the lifecycle of the product as long as the company manufactures and supports it. If you purchase a WALTHER firearm, it carries its Legendary Warranty regardless of whether or not you are the original purchaser. This Warranty covers WALTHER centerfire and rimfire firearms produced after 1993 only and does not apply to antique, limited edition or custom firearms.
- If your WALTHER firearm has a defect in materials or workmanship, please contact WALTHER or return the firearm, postage paid, with a brief description of the problem to us at the following address for a repair or replacement at no cost to you:

WALTHER ARMS, Inc.
7700 Chad Colley Boulevard
Fort Smith, AR 72916

- This Warranty does not cover cosmetic blemishes or wear and tear associated with normal use.
- This Warranty does not cover any problems caused by abuse, misuse, or acts of God.
- This Warranty does not cover defects or damage caused by the use of parts or service not provided by WALTHER.
- WALTHER assumes no liability for consequential, punitive or other damages (except as set forth herein) related to a claim under this Warranty. A service and/or handling charge may be required for non-warranty repairs.
- This Warranty applies to the United States of America and covers only firearms currently produced and supported by WALTHER and distributed by WALTHER ARMS Inc. in Fort Smith Arkansas in the United States of America.
- This Warranty does not cover firearms that have been discontinued by Carl Walther or WALTHER ARMS Inc.
- This warranty gives you specific legal rights, and you may also have other rights which vary from state to state.

WMP

10. WARRANTY

Warranty Claims and Repair for U.S. customers. Call WALTHER ARMS (479)-242-8500 ext 507. If it is determined a return is necessary, you will be issued a Firearm Return Authorization Number. Write this number boldly on the box and return the product prepaid to WALTHER ARMS. Your name, address, phone number and a note with the model name/number, serial number, and explanation of the defect found must be included with the firearm. A copy of the original dated cash register receipt, or a copy of ATF Form 4473, indicating date of purchase must accompany the return. It is important that the owner comply with all applicable federal, state and local laws and regulations in the shipment of the pistol to the applicable WALTHER Service Center. It is recommended that shipments be insured by the owner, since WALTHER will accept no responsibility for loss or damage in transit. Transportation and insurance charges for return to the owner will be paid by WALTHER if the claim is covered by this warranty.

UNDER NO CIRCUMSTANCES SHALL WALTHER BE RESPONSIBLE FOR INCIDENTAL OR CONSEQUENTIAL DAMAGES WITH RESPECT TO ECONOMIC LOSS, INJURY, DEATH OR PROPERTY DAMAGE, WHETHER AS A RESULT OF BREACH OF THIS WARRANTY, NEGLIGENCE OR OTHERWISE.

Some States do not allow the exclusion or limitation of incidental or consequential damages, so the above limitation or exclusion may not apply to you.

WALTHER will not be responsible for:

- Defects or malfunctions resulting from careless handling, unauthorized adjustments or modifications made or attempted by anyone other than a qualified gunsmith following WALTHER authorized procedures, or failure to follow the instructions in the Safety & Instruction manual.
- Use of defective or improper ammunition, corrosion, neglect, abuse, ordinary wear and tear, or unreasonable use.
- Use of replacement parts, other than WALTHER factory or authorized parts.
- Criminal misuse, negligence, or use under the influence of drugs or alcohol.

This warranty gives you specific legal rights and you may also have other rights, which vary from State to State.



10. WARRANTY

! WARNING:

WHEN TRANSPORTING A FIREARM, MAKE SURE THAT IT IS UNLOADED AND THAT THE SAFETY IS IN THE SAFE POSITION.

CONTACT & SHIPPING

For Owners within the United States

WALTHER ARMS, Inc.
Attn: Service Dept
7700 Chad Colley Boulevard
Fort Smith, AR 72916

Phone: 1-479-242-8500 ext. 507

E-mail: customerservice@waltherarms.com
www.WaltherArms.com

- Call or e-mail the Customer Service Dept. for authorization and shipping instructions.
- ENSURE THAT THE FIREARM IS UNLOADED.
- DO NOT SHIP ANY AMMUNITION.
- Enclose a letter which includes your full name and address (no P.O. Boxes, please), daytime telephone number, e-mail address, the serial number of the firearm, and details of the problem experienced (stating the brand and type of ammunition used when the problem occurred) or work desired.
- Record the serial number before shipping and retain in a secure place.
- Please remove all custom parts and accessories, such as stocks, special sights, or holsters from your firearm before returning.
- Place the handgun in its original case or in a similarly secure container and pack securely.
- When returning a pistol, please include all magazines ensuring they are unloaded; they are important to the proper function of the handgun.
- The package must NOT bear any markings which indicate the identity of the contents.
- It is most important that you comply with federal, state, and local laws and regulations. The following guidelines are meant to help, but you must seek assistance from the appropriate authorities if necessary.
- Do not attempt to ship a handgun via US Postal Service; only federally licensed dealers may ship a firearm by US Postal Service.



WALTHER ARMS, INC.

7700 CHAD COLLEY BOULEVARD
FORT SMITH, AR 72916
PHONE: 1-479-242-8500



Patent No. US 10,718,581

Copyright © 2021 · Carl WALTHER GmbH · All rights reserved · Subject to change without notice.

8.522.80.02-02/2022

WALTHERARMS.COM